



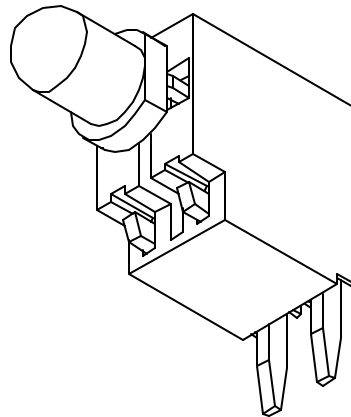
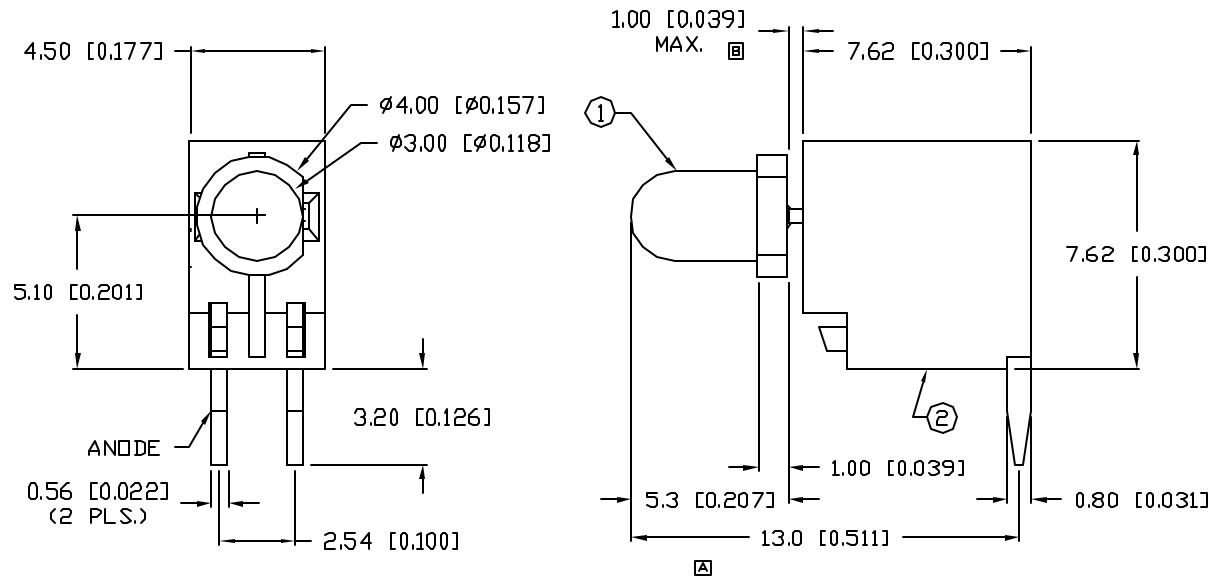
THE DATASHEET OF SSF-LXH4RABID



UNCONTROLLED DOCUMENT

PART NUMBER
SSF-LXH4RABID

REV.
B



| REV. | E.C.N. NUMBER AND REVISION COMMENTS | DATE |
|------|-------------------------------------|----------|
| A | CHANGED DIM. WHERE NOTED. | 7.5.95 |
| B | E.C.N. #10692. | 12.12.00 |

ELECTRO-OPTICAL CHARACTERISTICS $T_A=25^\circ\text{C}$

| PARAMETER | MIN | TYP | MAX | UNITS | TEST COND |
|---------------------|--------------|-----|-----|----------|-----------------------------|
| PEAK WAVELENGTH | | 635 | | nm | |
| FORWARD VOLTAGE | | 3.5 | 14 | V_f | |
| BLINKING FREQUENCY: | | 1.5 | | Hz | $V_f=14.0, I_f=70\text{mA}$ |
| | | 2.5 | | Hz | $V_f=3.5, I_f=6\text{mA}$ |
| AXIAL INTENSITY | | 6 | | mcd | $V_f=9.0$ |
| VIEWING ANGLE | | 60 | | 2x theta | |
| EMITTED COLOR: | RED | | | | |
| EPOXY LENS FINISH: | RED DIFFUSED | | | | |

LIMITS OF SAFE OPERATION AT 25°C

| PARAMETER | MAX | UNITS |
|--------------------------|------------|------------------|
| FORWARD VOLTAGE | 14 | V |
| STEADY CURRENT | 20 | mA |
| POWER DISSIPATION | 105 | mW |
| OPERATING, STORAGE TEMP. | -40 TO +85 | $^\circ\text{C}$ |
| SOLDERING TEMP. | +260 | $^\circ\text{C}$ |
| 2.DMMFROMBODY | | 3 SEC. MAX |

NOTES:

- SSL-LX3054BID LED.
- IFS-LX4FRA-1 LAMP SOCKET.
- CUT LED LEADS 5mm LONG.
- ASSEMBLE IN SOCKET, POLARITY AS SHOWN.

*UNLESS OTHERWISE SPECIFIED TOLERANCES PER DECIMAL PRECISION ARE: X=±1 (±0.039), XX=±0.5 (±0.020), XXX=±0.25 (±0.010), XXXX=±0.127 (±0.005). LEAD SIZE=±0.05 (±0.002), LEAD LENGTH=±0.75 (±0.030). MIN= +DECIMAL PRECISION -0.00, MAX.= +0.00 -DECIMAL PRECISION

UNCONTROLLED DOCUMENT

| | |
|-----------|------------------------------|
| REV. B | PART NUMBER SSF-LXH4RABID |
|-----------|------------------------------|

CONFIDENTIAL INFORMATION
THE INFORMATION CONTAINED IN THIS DOCUMENT IS THE PROPERTY OF LUMEX INC. EXCEPT AS SPECIFICALLY AUTHORIZED IN WRITING BY LUMEX INC., THE HOLDER OF THIS DOCUMENT SHALL KEEP ALL INFORMATION CONTAINED HEREIN CONFIDENTIAL AND SHALL PROTECT SAME IN WHOLE OR IN PART FROM DISCLOSURE AND DISSEMINATION TO ALL THIRD PARTIES.

290 E. HELEN ROAD
PALATINE, IL 60067-6976
PHONE: +1.847.359.2790
US WEB: www.lumex.com
TW WEB: www.lumex.com.tw

T-1 LAMP, BLINKING RED FAULT INDICATOR.

RELIABILITY NOTE
OUR MANY YEARS OF EXPERIENCE DATA ACCUMULATION INDICATE THAT SOLDER HEAT IS A MAJOR CAUSE OF EARLY AND FUTURE FAILURE. PLEASE PAY ATTENTION TO YOUR SOLDERING PROCESS.

| | | | |
|-----------------|-------------|--------------|---|
| DRAWN BY: CT | CHECKED BY: | APPROVED BY: | DATE: 8.23.93 PAGE: 1 OF 1 SCALE: N/A |
|-----------------|-------------|--------------|---|

Looking for pricing, stock, or lifecycle information?

Click below to explore more details on WIN SOURCE:

- ⊖ [View SSF-LXH4RABID on WIN SOURCE](#)
- ⊖ [Lumex Opto/Components Inc. Information](#)

Optimize Your Supply Chain with WIN SOURCE Solutions

- ✓ Global Sourcing Solution
- ✓ Obsolete Management
- ✓ Cost Control Management
- ✓ Shortage Management
- ✓ Alternative Solution
- ✓ Excess Inventory Management