



**THE DATASHEET OF
SSF-LXH409-54SID**

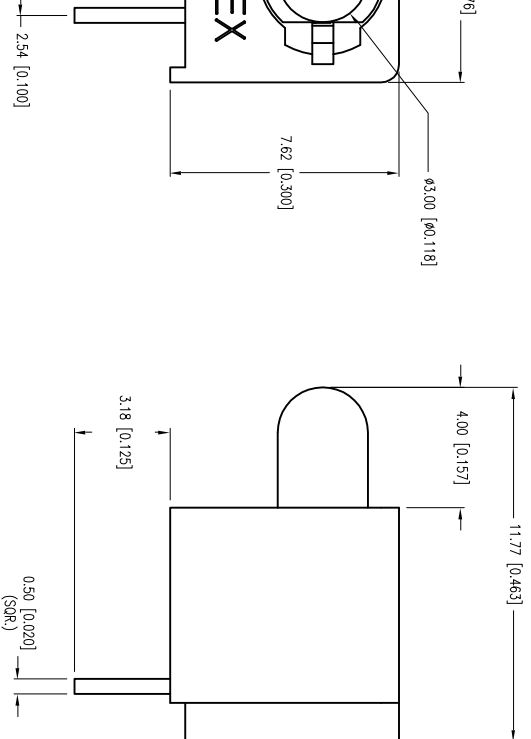


PART NUMBER	SSF-LXH409-54SID	REV.	-
-------------	------------------	------	---

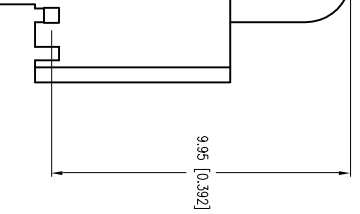
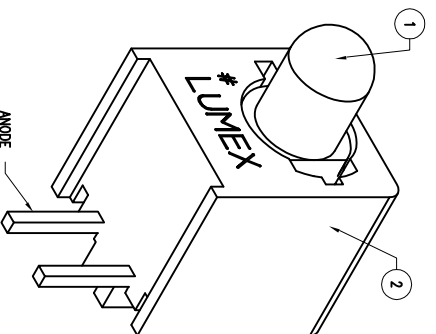
ELECTRO-OPTICAL CHARACTERISTICS I _F =25°C				I _F =20mA	TEST COND
PARAMETER	MIN	TYP	MAX	UNITS	
PEAK WAVELENGTH		636		nm	
FORWARD VOLTAGE		2.1	2.5	V _F	I _F =100μA
REVERSE VOLTAGE	5.0			V _R	I _F =20mA
AXIAL INTENSITY		100		mcad	
VIEWING ANGLE		60		2x theta	
EMITTED COLOR:	RED				
EPOXY LENS FINISH:	RED DIFFUSED				

LIMITS OF SAFE OPERATION AT 25°C

PARAMETER	MAX	UNITS
PEAK FORWARD CURRENT*	150	mA
STEADY CURRENT	30	mA
POWER DISSIPATION	105	mW
DERATE FROM 25°C	-1.6	mW/°C
OPERATING, STORAGE TEMP.	-40 TO +85	°C
SOLDERING TEMP.	+260	°C
2.0mm FROM BODY		3 SEC. MAX
* t < 10μS		



- NOTES:
- SSL-LX3064SID, RED LED.
 - SSH-LXH409 HOLDER.



E=X±1 (±0.039), XX=±0.5 (±0.020), XXX=±0.127 (±0.005), LEAD SIZE=±0.05 (±0.002), LEAD LENGTH=±0.75 (±0.030), MIN=+0.004, PRECISION MAX.=+0.00

LINE, IL 60067-6976 T-3mm SINGLE LEVEL LED, WIDE HOLDER, 636nm SUPER RED LED, RED DIFFUSED. UNCONTROLLED DOCUMENT

DATE: 02.28.01 DRAWN BY: CT

SCALE: 1 OF 1 CHKD BY: --

UNIT: mm [INCH] APPVD BY: --

HELEN ROAD

LINE, IL 60067-6976

E: +1.847.359.2790

+1.847.359.6538

WWW.LUMEX.COM

THE INFORMATION CONTAINED IN THIS DOCUMENT IS THE PROPERTY OF LUMEX INC. EXCEPT AS SPECIFICALLY AUTHORIZED IN WRITING BY LUMEX INC., THE HOLDER OF THIS DOCUMENT SHALL KEEP ALL INFORMATION CONTAINED HEREIN CONFIDENTIAL, AND SHALL PROTECT SAME IN WHOLE OR IN PART FROM DISCLOSURE AND DISSEMINATION TO ALL THIRD PARTIES.

CONFIDENTIAL INFORMATION

APPROVED BY: (Signature)

Looking for pricing, stock, or lifecycle information?

Click below to explore more details on WIN SOURCE:

- ⊖ [View SSF-LXH409-54SID on WIN SOURCE](#)
- ⊖ [Lumex Opto/Components Inc. Information](#)

Optimize Your Supply Chain with WIN SOURCE Solutions

- ✓ Global Sourcing Solution
- ✓ Obsolete Management
- ✓ Cost Control Management
- ✓ Shortage Management
- ✓ Alternative Solution
- ✓ Excess Inventory Management