



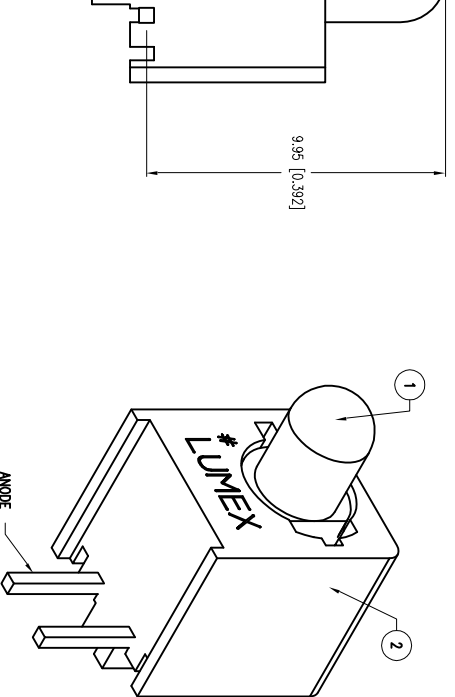
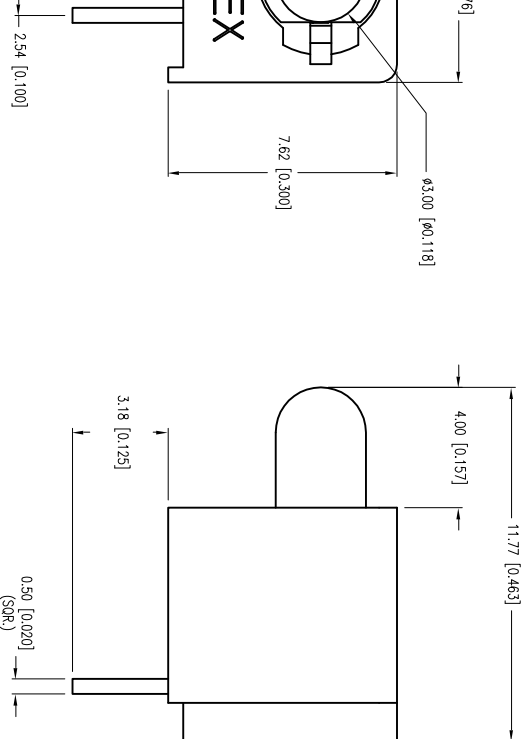
**THE DATASHEET OF
SSF-LXH409-54SYD**



PART NUMBER	SSF-LXH409-54SYD	REV.	-
-------------	------------------	------	---

ELECTRO-OPTICAL CHARACTERISTICS I _A =25°C I _F =20mA			
PARAMETER	MIN	TYP	MAX UNITS TEST COND
PEAK WAVELENGTH	590	2.5	nm
FORWARD VOLTAGE	2.1		V _F I _F =100μA
REVERSE VOLTAGE	5.0		V _R I _F =20mA
AXIAL INTENSITY	250		mcad
VIEWING ANGLE	60		2x theta
EMITTED COLOR:	YELLOW		
EPOXY LENS FINISH:	YELLOW DIFFUSED		

LIMITS OF SAFE OPERATION AT 25°C			
PARAMETER	MAX	UNITS	
PEAK FORWARD CURRENT*	150	mA	
STEADY CURRENT	30	mA	
POWER DISSIPATION	105	mW	
DERATE FROM 25°C	-1.6	mW/°C	
OPERATING, STORAGE TEMP.	-40 TO +85	°C	
SOLDERING TEMP.	+260	°C	
2.0mm FROM BODY			3 SEC. MAX
* t < 10μs			





- NOTES:
1. SSL-LX3054S10, YELLOW LED.
 2. SSH-LXH409 HOLDER.

E: X=±1 (-0.039), XX=±0.5 (-0.020), XXX=±0.127 (-0.005), LEAD SIZE=±0.05 (-0.002), LEAD LENGTH=±0.75 (-0.030), MIN= -0.00		+DECIMAL PRECISION MAX.= +0.00	
HELEN ROAD LINE, IL 60067-6976 E: +1.847.359.2790 +1.847.359.6538 WWW.LUMEX.COM		-DECIMAL PRECISION UNCONTROLLED DOCUMENT	
T-3mm SINGLE LEVEL LED, WIDE HOLDER, 590nm SUPER YELLOW, YELLOW DIFFUSED.			
THE SPECIFICATIONS MAY CHANGE AT ANY TIME WITHOUT NOTICE DUE TO NEW MATERIALS OR PRODUCT IMPROVEMENT.			
CONFIDENTIAL INFORMATION			
THE INFORMATION CONTAINED IN THIS DOCUMENT IS THE PROPERTY OF LUMEX INC. EXCEPT AS SPECIFICALLY AUTHORIZED IN WRITING BY LUMEX INC., THE HOLDER OF THIS DOCUMENT SHALL KEEP ALL INFORMATION CONTAINED HEREIN CONFIDENTIAL, AND SHALL PROTECT SAME IN WHOLE OR IN PART FROM DISCLOSURE AND DISSEMINATION TO ALL THIRD PARTIES.			
DATE:	02.28.01	DRAWN BY:	CT
PAGE:	1 OF 1	CHKD BY:	--
SCALE:		APRVD BY:	--
UNIT:	mm [INCH]		(R)

Looking for pricing, stock, or lifecycle information?

Click below to explore more details on WIN SOURCE:

-  [View SSF-LXH409-54SYD on WIN SOURCE](#)
-  [Lumex Opto/Components Inc. Information](#)

Optimize Your Supply Chain with WIN SOURCE Solutions

-  Global Sourcing Solution
-  Obsolete Management
-  Cost Control Management
-  Shortage Management
-  Alternative Solution
-  Excess Inventory Management