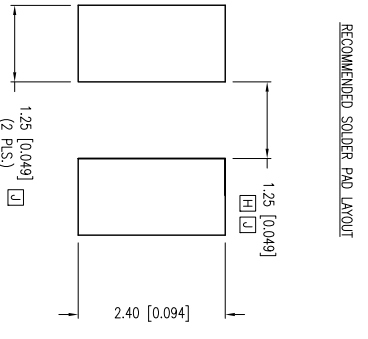
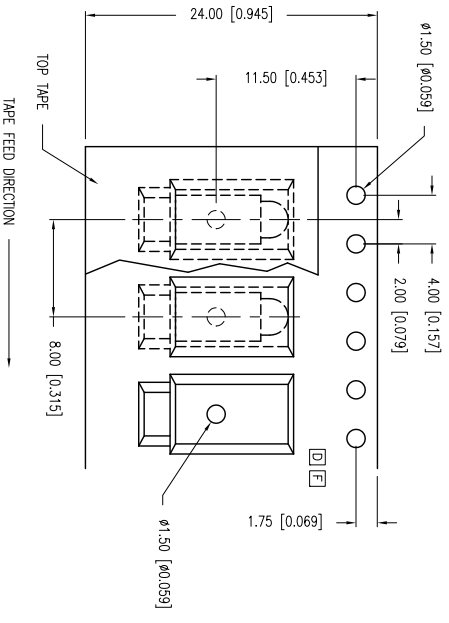
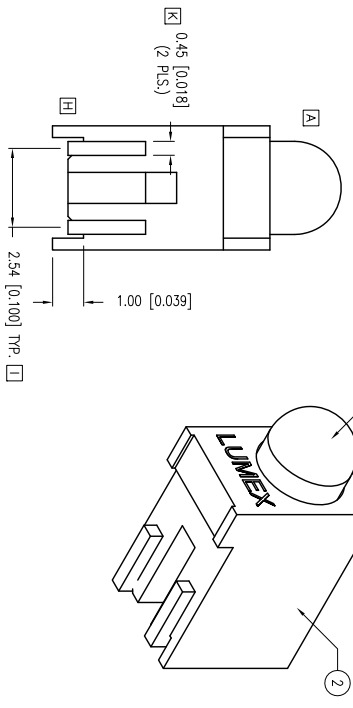
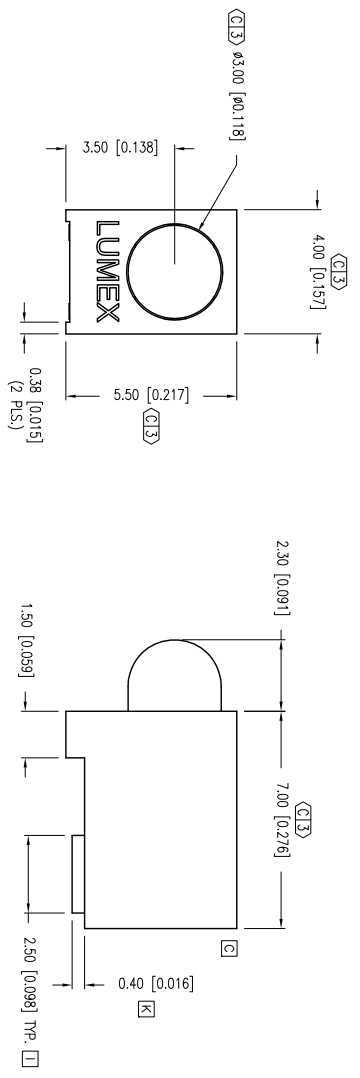




**THE DATASHEET OF
SSF-LXH305YD-TR**



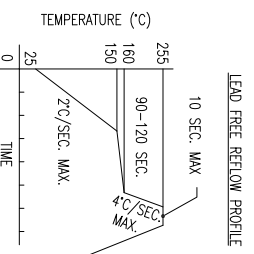


PART NUMBER	SSF-LXH305YD(-TR)	REV.	K
DATE	E.C.N. NUMBER AND REVISION COMMENTS	REV.	
5.13.94	ADDED SOLDER PROFILE.	A	
9.12.94	UPDATED SAFE OPER. SPECS.	B	
3.13.95	CORRECTED LED PROTRUSION.	C	
7.5.95	ADDED TAPE AND REEL OPTION.	D	
10.15.97	E.C.N. #10BRDR & REDRAWN.	E	
5.22.00	E.C.N. #10625.	F	
11.30.00	E.C.N. #10683.	G	
11.6.01	E.C.N. #10782.	H	
4.22.02	E.C.N. #10855.	I	
5.15.02	E.C.N. #10864.	J	
2.20.06	E.C.N. #11311.	K	

PARAMETER	MIN	TYP	MAX	UNITS	TEST COND
ELECTRO-OPTICAL CHARACTERISTICS I _A =25°C I _F =20mA					
PEAK WAVELENGTH		585	2.5	nm	
FORWARD VOLTAGE		2.1		V _F	I _F =100µA
REVERSE VOLTAGE	5.0			V _R	
AXIAL INTENSITY		30		med	I _F =20mA
VIEWING ANGLE		60		2x theta	
EMITTED COLOR:	YELLOW				
EPOXY LENS FINISH:	YELLOW DIFFUSED				

PARAMETER	MAX	UNITS
LIMITS OF SAFE OPERATION AT 25°C		
PEAK FORWARD CURRENT*	150	mA
STEADY CURRENT	30	mA
POWER DISSIPATION	100	mW
DERATE FROM 25°C	-1.6	mW/°C
OPERATING TEMP.	-40 TO +85	°C
STORAGE TEMP.	-40 TO +85	°C
SOLDERING TEMP.	+260	°C
2.0mm FROM BODY		
* I_T10J5		3 SEC. MAX

- NOTES:
1. SSL-LX3056YD, YELLOW LED.
 2. SSH-LXH305, BLACK HOLDER.
 3. -TR SUFFIX TO DESIGNATE TAPE & REEL SUPPLIED.
 4. CARRIER TAPE #LXP-CARRIER24-56.
 5. LED HAS HIGH TEMP. EPOXY.



UNLESS OTHERWISE SPECIFIED TOLERANCES PER DECIMAL PRECISION ARE: X=±1 (±0.039), XX=±0.5 (±0.020), XXX=±0.127 (±0.005), LEAD SIZE=±0.05 (±0.002), LEAD LENGTH=±0.75 (±0.030), MIN.=^{+0.00}_{-0.00} DECIMAL PRECISION. UNCONTROLLED DOCUMENT

LUMEX
 CREEATING LED and LCD Solutions Together™
 425 N GARY AVE.
 CAROL STREAM, IL 60188
 PHONE: 630-315-2150
 FAX: 630-315-2151
 WEB: WWW.LUMEX.COM

T-3mm (T-1) RIGHT ANGLE SURFACE MOUNT LED, YELLOW DIFFUSED LENS, TAPE AND REEL.
 CONFIDENTIAL INFORMATION
 THE INFORMATION CONTAINED IN THIS DOCUMENT IS THE PROPERTY OF LUMEX INC. EXCEPT AS SPECIFICALLY AUTHORIZED IN WRITING BY LUMEX INC., THE HOLDER OF THIS DOCUMENT SHALL KEEP ALL INFORMATION CONTAINED HEREIN CONFIDENTIAL AND SHALL PROTECT SAME IN WHOLE OR IN PART FROM DISCLOSURE AND DISSEMINATION TO ALL THIRD PARTIES.

DATE: 03.03.94 DRAWN BY: BC
 PAGE: 1 OF 1 CHKD BY:
 SCALE: APRVD BY:
 UNIT: mm [INCH]

Looking for pricing, stock, or lifecycle information?

Click below to explore more details on WIN SOURCE:

- ⊖ [View SSF-LXH305YD-TR on WIN SOURCE](#)
- ⊖ [Lumex Opto/Components Inc. Information](#)

Optimize Your Supply Chain with WIN SOURCE Solutions

- ✓ Global Sourcing Solution
- ✓ Obsolete Management
- ✓ Cost Control Management
- ✓ Shortage Management
- ✓ Alternative Solution
- ✓ Excess Inventory Management