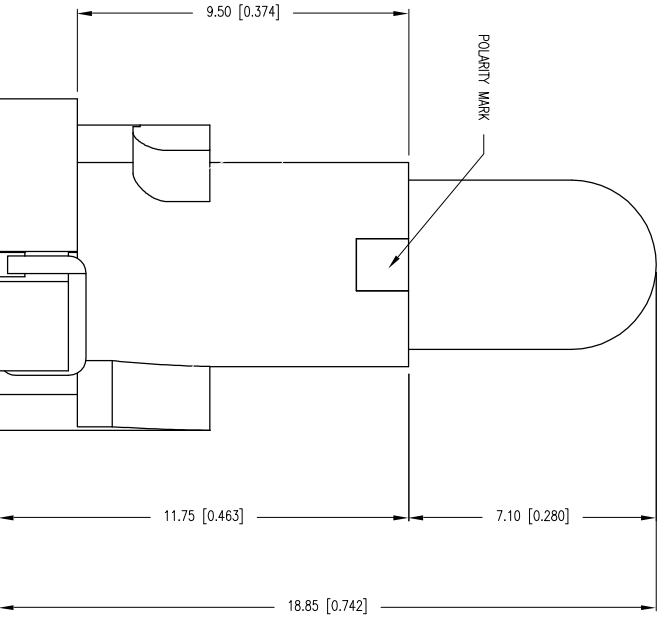
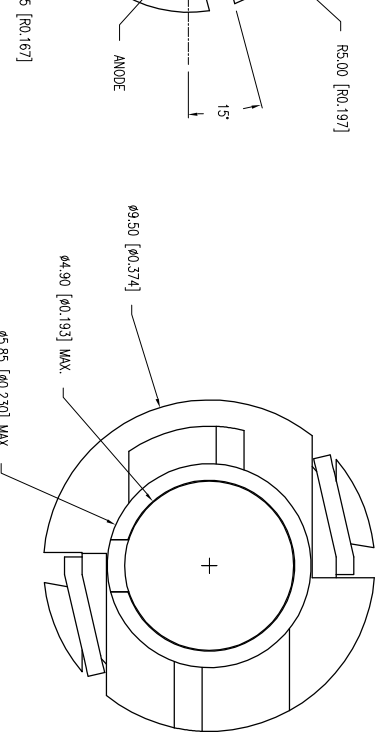




**THE DATASHEET OF  
SNW-LX504SRC/4**



PART NUMBER	SNW-LX504SRC/4		REV.	B
DATE	09.22.10		REV.	A
E.C.N. #10BRDR. & REDRAWN.	E.C.N. #11672.		REV.	B



ELECTRO-OPTICAL CHARACTERISTICS  $I_A=25mA$

PARAMETER	MIN	MAX	UNITS	TEST COND
PEAK WAVELENGTH	660	2.1	nm	
FORWARD VOLTAGE	1.7		$V_f$	$I_f=100\mu A$
REVERSE VOLTAGE	5.0		$V_r$	
AXIAL INTENSITY	3800		mcld	$I_f=20mA$
VIEWING ANGLE	30		2x theta	
EMITTED COLOR:	RED			
EPOXY LENS FINISH:	WATER CLEAR LENS			

LIMITS OF SAFE OPERATION AT 25°C

PARAMETER	MAX	UNITS
PEAK FORWARD CURRENT*	200	mA
STEADY CURRENT	30	mA
POWER DISSIPATION	60	mW
DERATE FROM 25°C	-1.2	mW/°C
OPERATING TEMP.	-40 TO +85	°C
STORAGE TEMP.	-40 TO +85	°C
SOLDERING TEMP.	+280	°C
2.0mm FROM BODY		
* I<10uS		3 SEC. MAX

- NOTES:
- [A] 1. SSH-NWS04R RED BASE.
  - [B] 2. SSH-LX507B5SRC/4, RED LED.
  - [C] 3. SMALL TAB IS ON THE LEFT OF POLARITY MARK AND BIG TAB IS ON THE RIGHT.

E: X=±1 (±0.039), X-X=±0.5 (±0.020), X-X-X=±0.127 (±0.005), LEAD SIZE=±0.05 (±0.002), LEAD LENGTH=±0.75 (±0.030), MIN. = -0.00  
 E: HELEN ROAD  
 TIME, IL 60067-6976  
 E: +1.847.359.2790  
 +1.847.359.6538  
 WWW.LUMEX.COM

T-5mm (T-1 3/4) NEO-WEDGE INDICATOR LED, 660nm SUPER RED LED, WATER CLEAR LENS.  
 \*\*THE SPECIFICATIONS MAY CHANGE AT ANY TIME WITHOUT NOTICE DUE TO NEW MATERIALS OR PRODUCT IMPROVEMENT.\*\*  
 CONFIDENTIAL INFORMATION  
 THE INFORMATION CONTAINED IN THIS DOCUMENT IS THE PROPERTY OF LUMEX INC. EXCEPT AS SPECIFICALLY AUTHORIZED IN WRITING BY LUMEX INC., THE HOLDER OF THIS DOCUMENT SHALL KEEP ALL INFORMATION CONTAINED HEREIN CONFIDENTIAL AND SHALL PROTECT SAME IN WHOLE OR IN PART FROM DISCLOSURE AND DISSEMINATION TO ALL THIRD PARTIES.

UNCONTROLLED DOCUMENT

DATE:	02.11.04	DRAWN BY:	GB
PAGE:	1 OF 1	CHKD BY:	JD
SCALE:	N/A	APPRD BY:	KF
UNIT:	mm [INCH]		

## Looking for pricing, stock, or lifecycle information?

Click below to explore more details on WIN SOURCE:

- ⊖ [View SNW-LX504SRC/4 on WIN SOURCE](#)
- ⊖ [Lumex Opto/Components Inc. Information](#)

## Optimize Your Supply Chain with WIN SOURCE Solutions

- ✓ Global Sourcing Solution
- ✓ Obsolete Management
- ✓ Cost Control Management
- ✓ Shortage Management
- ✓ Alternative Solution
- ✓ Excess Inventory Management