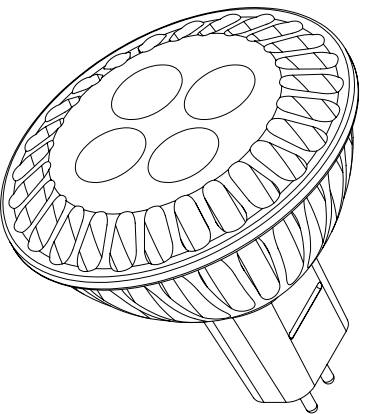




**THE DATASHEET OF
SSP-M16UW012C05**



PART NUMBER	SSP-M16UW012C05		REV.	A
DATE	E.C.N. NUMBER AND REVISION COMMENTS		REV.	
02.29.12	E.C.N. #11802.		REV.	A

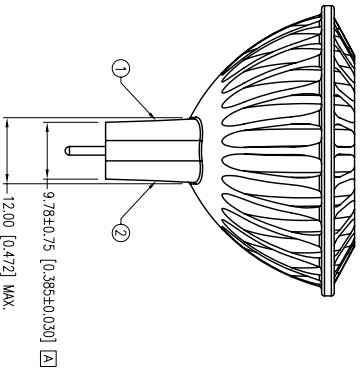


Ø50.00 [ø1.969]

ELECTRO-OPTICAL CHARACTERISTICS T _a =25°C V _i =12V AC/DC				
PARAMETER	MIN	TYP	MAX	UNITS
INPUT VOLTAGE		12		V AC/DC
ENERGY USED		5		W
TOTAL LUMENS		315		LUMENS
BEAM ANGLE		24		2x theta °K
COLOR TEMPERATURE		80	+40	°C
COLOR RENDERING INDEX (CRI)		-20		%
OPERATING TEMPERATURE		-20		°C
LIFE HOURS		25000		HRS
EMITTED COLOR:		COOL WHITE		
LENS FINISH:		WATER CLEAR		

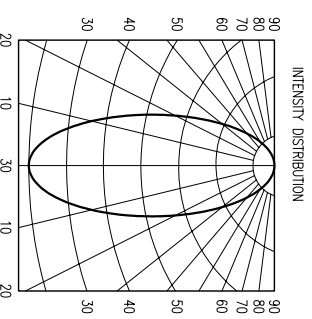
NOTES:

- SSP-M16UW012C05
GU5.3 12V AC/DC
5W 5000K 24°
MADE IN TAIWAN
- ⚠ (MEANS NON-DIMMABLE)



Ø40.030
MAX [A]

[0.0059]
2 PLS.)



HELEN ROAD
E. I.L 60067-6976
+1.847.359.2790
WWW.LUMEX.COM

LED MR16, 5000K, 12V, AC/DC, 24°, 5W CRI>80.

THE SPECIFICATIONS MAY CHANGE AT ANY TIME WITHOUT NOTICE DUE TO NEW MATERIALS OR PRODUCT IMPROVEMENT

CONFIDENTIAL INFORMATION
 THE INFORMATION CONTAINED IN THIS DOCUMENT IS THE PROPERTY OF LUMEX INC. EXCEPT AS SPECIFICALLY AUTHORIZED IN WRITING BY LUMEX INC., THE HOLDER OF THIS DOCUMENT SHALL KEEP ALL INFORMATION CONTAINED HEREIN CONFIDENTIAL AND SHALL PROTECT SAME IN WHOLE OR IN PART FROM DISCLOSURE AND DISSEMINATION TO ALL THIRD PARTIES.

UNCONTROLLED DOCUMENT

DATE:	12.02.11	DRAWN BY:	AB
PAGE:	1 OF 2	CHKD BY:	KF
SCALE:	NTS	APRVD BY:	KF
UNIT:	mm [INCH]		



Looking for pricing, stock, or lifecycle information?

Click below to explore more details on WIN SOURCE:

- ⊖ [View SSP-M16UW012C05 on WIN SOURCE](#)
- ⊖ [Lumex Opto/Components Inc. Information](#)

Optimize Your Supply Chain with WIN SOURCE Solutions

- ✓ Global Sourcing Solution
- ✓ Obsolete Management
- ✓ Cost Control Management
- ✓ Shortage Management
- ✓ Alternative Solution
- ✓ Excess Inventory Management