

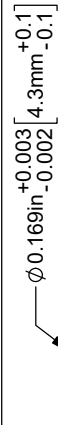
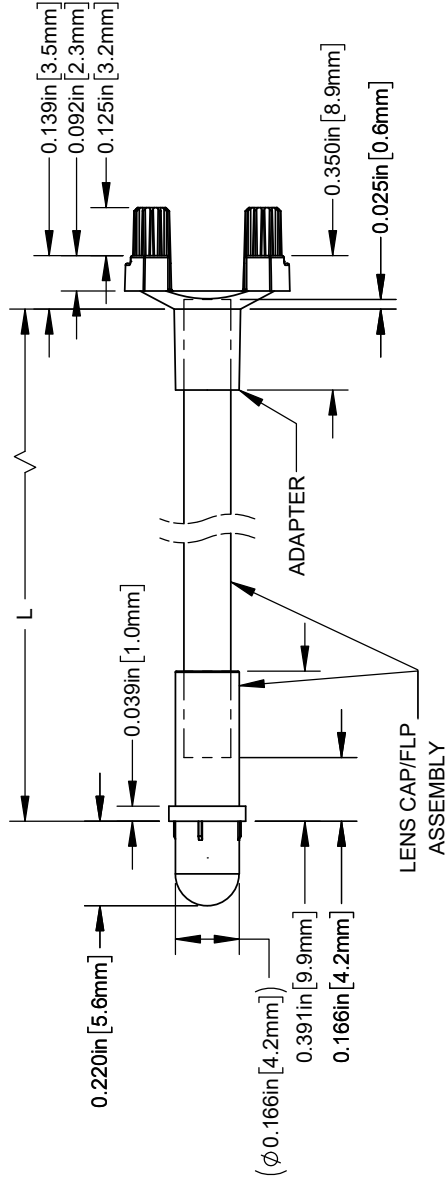


THE DATASHEET OF SMFLP2D-1.5



NOTES:

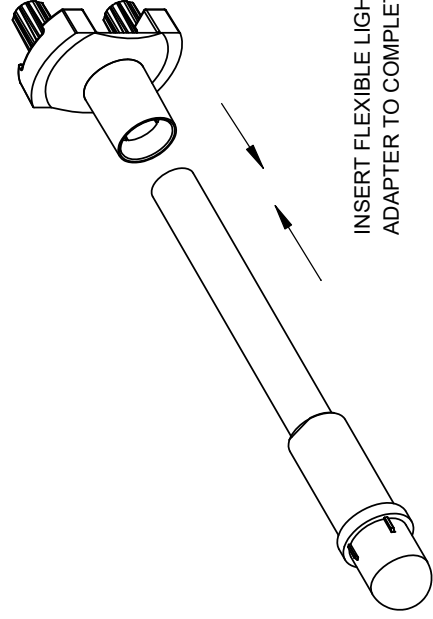
1. COMPONENTS SHIPPED NON-ASSEMBLED.



RECOMMENDED LENS MOUNTING HOLE

TABLE 1 - LENGTH	
LENGTH (L)*	TOLERANCE
1.00" - 16.00"	±0.05"
16.1" - 40.00"	±0.15"
40.1" - 80.00"	±0.30"
80.1" - 3,940.00"	±0.5%

*AVAILABLE IN 0.1" INCREMENTS



2X $\varnothing 0.100in^{+0.000}_{-0.005}$ [2.5

0.150

LED MOUNTING

RECOMMENDED & MOUNTING

CUSTOMER

STANDARD TOLERANCE

(UNLESS OTHERWISE SPECIFIED)

DECIMALS

X ±.1

.XX ±.02

.XXX ±.010

ANGULAR

X° ±1°

DESIGNED: K. BARON

DATE: 9/14/2005

REVISOR: K. BARON

DATE: 4/26/2022

CHECKED: A. VALDEZ

DATE: 4/26/2022

REV.

A

B

C

DESCR

Engineering Release

Updated Table For Length

ECO-1241: Updated Reco

Looking for pricing, stock, or lifecycle information?

Click below to explore more details on WIN SOURCE:

 [View SMFLP2D-1.5 on WIN SOURCE](#)

 [Bivar Inc. Information](#)

Optimize Your Supply Chain with WIN SOURCE Solutions

-  Global Sourcing Solution
-  Obsolete Management
-  Cost Control Management
-  Shortage Management
-  Alternative Solution
-  Excess Inventory Management