

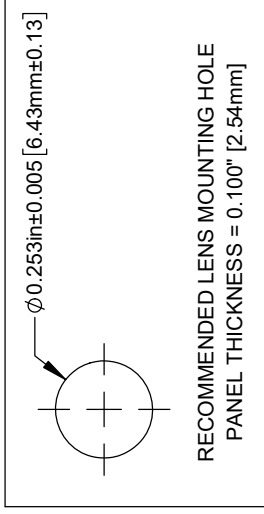
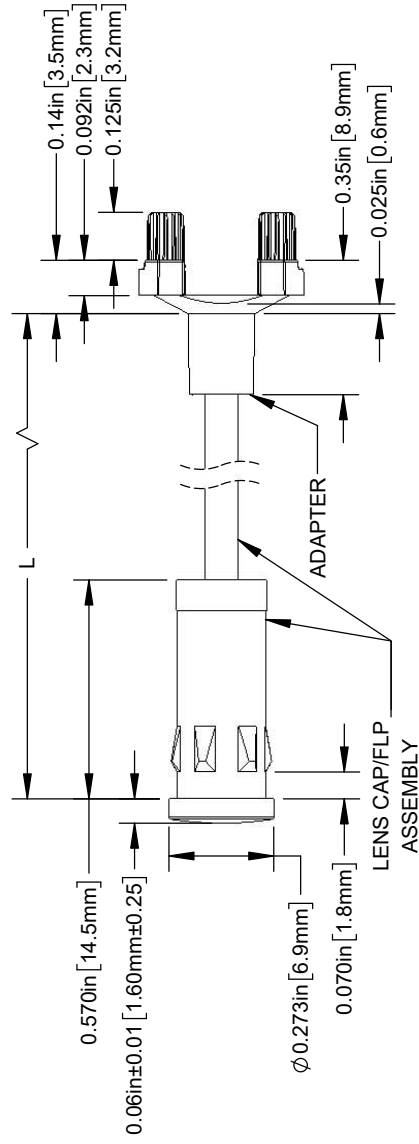


THE DATASHEET OF SMFLP5-21.7



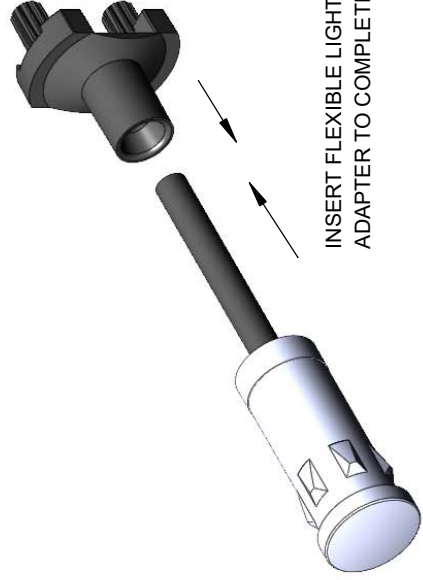
NOTES:

1. COMPONENTS SHIPPED NON-ASSEMBLED.



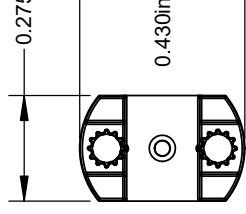
| TABLE 1 - LENGTH | |
|-------------------|-----------|
| LENGTH (L)* | TOLERANCE |
| 1.00" - 16.00" | ±0.05" |
| 16.1" - 40.00" | ±0.15" |
| 40.1" - 80.00" | ±0.30" |
| 80.1" - 3,940.00" | ±0.5% |

*AVAILABLE IN 0.1" INCREMENTS



INSERT FLEXIBLE LIGHT PIPE INTO ADAPTER TO COMPLETE ASSEMBLY

| REV. | DESCR |
|------|--------------------------|
| A | Engineering Release |
| B | Updated Table For Length |
| C | ECO-1241: Updated Reco |




| | | | |
|----|-------------------------------------|-----------|---------------|
| 0. | 2X $\phi 0.100in^{+0.000}_{-0.005}$ | LED MOUNT | RECOMMEND & M |
|----|-------------------------------------|-----------|---------------|

CUSTOMER

| STANDARD TOLERANCE (UNLESS OTHERWISE SPECIFIED) | | ANGULAR | |
|---|---------|-----------|-----------|
| DECIMALS | X° ± 1° | | |
| .X | ±.1 | DATE: | 7/8/2008 |
| .XX | ±.02 | DESIGNED: | B. OLIVER |
| .XXX | ±.010 | REVISD: | K. BARON |
| | | CHECKED: | A. VALDEZ |
| | | DATE: | 4/24/2022 |

Looking for pricing, stock, or lifecycle information?

Click below to explore more details on WIN SOURCE:

 [View SMFLP5-21.7 on WIN SOURCE](#)

 [Bivar Inc. Information](#)

Optimize Your Supply Chain with WIN SOURCE Solutions

-  Global Sourcing Solution
-  Obsolete Management
-  Cost Control Management
-  Shortage Management
-  Alternative Solution
-  Excess Inventory Management