



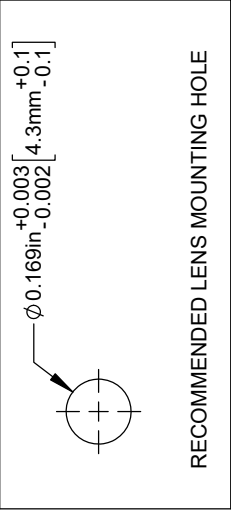
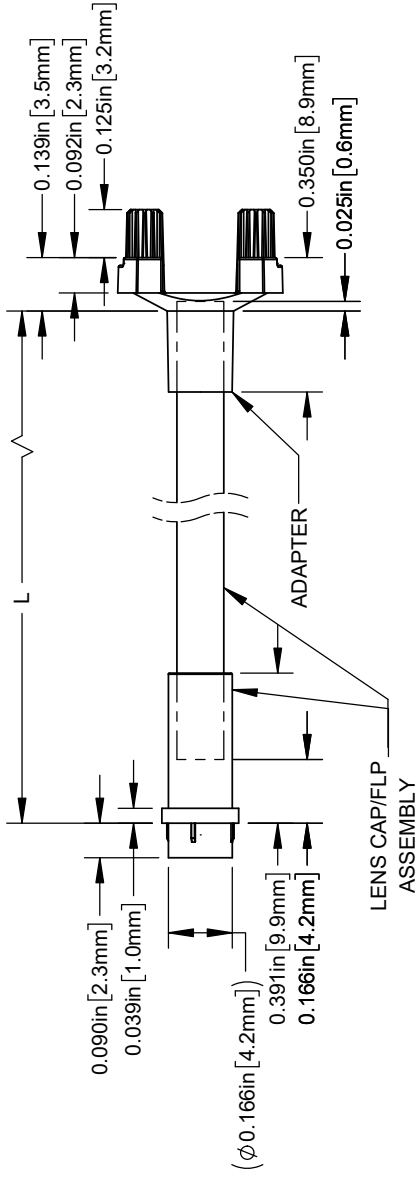
**THE DATASHEET OF
SMFLP2F-12.0**



NOTES:

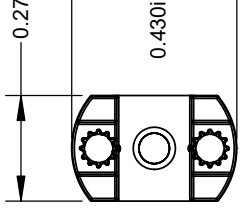
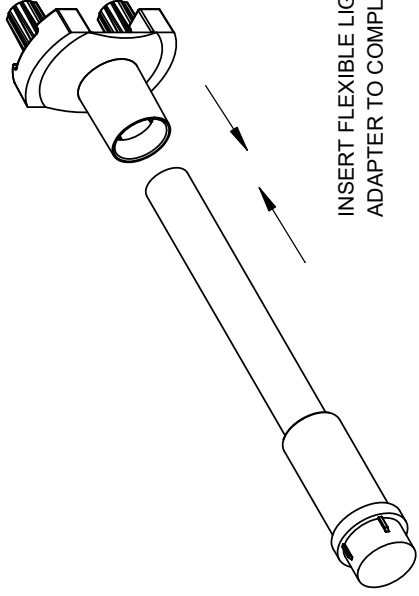
1. COMPONENTS SHIPPED NON-ASSEMBLED.

| REV. | DESCR |
|------|--------------------------|
| A | Engineering Release |
| B | Updated Table For Length |
| C | ECO-1241: Updated Reco |



| TABLE 1 - LENGTH | |
|-------------------|-----------|
| LENGTH (L)* | TOLERANCE |
| 1.00" - 16.00" | ±0.05" |
| 16.1" - 40.00" | ±0.15" |
| 40.1" - 80.00" | ±0.30" |
| 80.1" - 3,940.00" | ±0.5% |

*AVAILABLE IN 0.1" INCREMENTS



0.150
2X $\varnothing 0.100$ in $^{+0.000}_{-0.005}$ [2.5]

LED MOUNTING

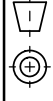
RECOMMENDED
& MOUN

CUSTOMER

STANDARD TOLERANCE

(UNLESS OTHERWISE SPECIFIED)


| DECIMALS | ANGULAR |
|------------|---------|
| X ±.1 | X° ±1° |
| .XX ±.02 | |
| .XXX ±.010 | |



| DESIGNED: | DATE: |
|-----------|-----------|
| K. BARON | 9/14/2005 |
| REVISED: | DATE: |
| K. BARON | 5/9/2024 |
| CHECKED: | DATE: |
| A. VALDEZ | 5/9/2024 |

Looking for pricing, stock, or lifecycle information?

Click below to explore more details on WIN SOURCE:

 [View SMFLP2F-12.0 on WIN SOURCE](#)

 [Bivar Inc. Information](#)

Optimize Your Supply Chain with WIN SOURCE Solutions

-  Global Sourcing Solution
-  Obsolete Management
-  Cost Control Management
-  Shortage Management
-  Alternative Solution
-  Excess Inventory Management