



**THE DATASHEET OF
SMFLP25-12.0**



NOTES:

1. COMPONENTS SHIPPED NON-ASSEMBLED.

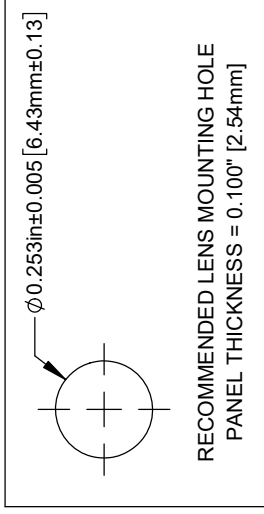
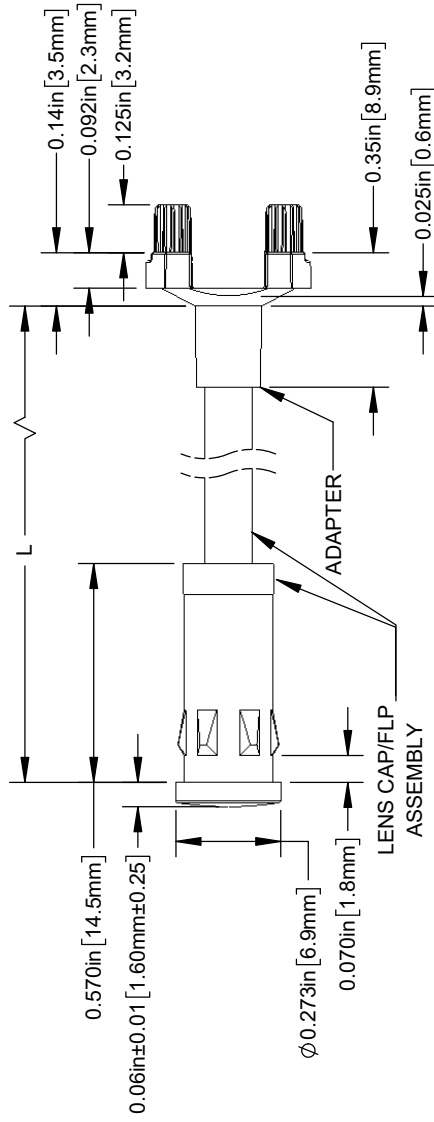
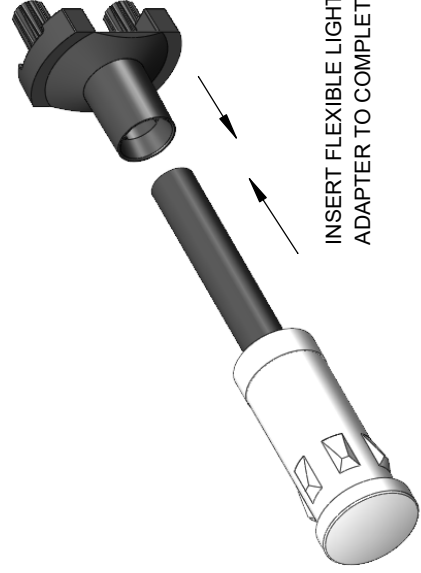


TABLE 1 - LENGTH	
LENGTH (L)*	TOLERANCE
1.00" - 16.00"	±0.05"
16.1" - 40.00"	±0.15"
40.1" - 80.00"	±0.30"
80.1" - 3,940.00"	±0.5%

*AVAILABLE IN 0.1" INCREMENTS

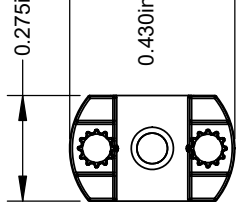
0.
2X $\phi 0.100 \text{ in} \begin{matrix} +0.000 \\ -0.005 \end{matrix}$

LED MOUNTING
RECOMMENDATIONS & MOUNTING



INSERT FLEXIBLE LIGHT PIPE INTO ADAPTER TO COMPLETE ASSEMBLY

REV.	DESCR
A	Engineering Release
B	Updated Table For Length
C	ECO-1241: Updated Recoil
D	ECO-1267: Updated Comp
E	ECO-1274: Updated MFG



STANDARD TOLERANCE (UNLESS OTHERWISE SPECIFIED)

DECIMALS	ANGULAR
X ±.1	X° ±1°
.XX ±.02	
.XXX ±.010	

DESIGNED:	DATE:
B. OLIVER	9/14/2005
REVISED:	DATE:
K. BARON	7/10/2022
CHECKED:	DATE:
A. VALDEZ	7/10/2022

CUSTOMER

Looking for pricing, stock, or lifecycle information?

Click below to explore more details on WIN SOURCE:

 [View SMFLP25-12.0 on WIN SOURCE](#)

 [Bivar Inc. Information](#)

Optimize Your Supply Chain with WIN SOURCE Solutions

-  Global Sourcing Solution
-  Obsolete Management
-  Cost Control Management
-  Shortage Management
-  Alternative Solution
-  Excess Inventory Management