



THE DATASHEET OF SMFLP5-12.0



NOTES:

1. COMPONENTS SHIPPED NON-ASSEMBLED.

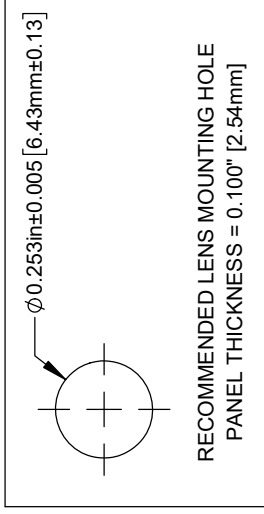
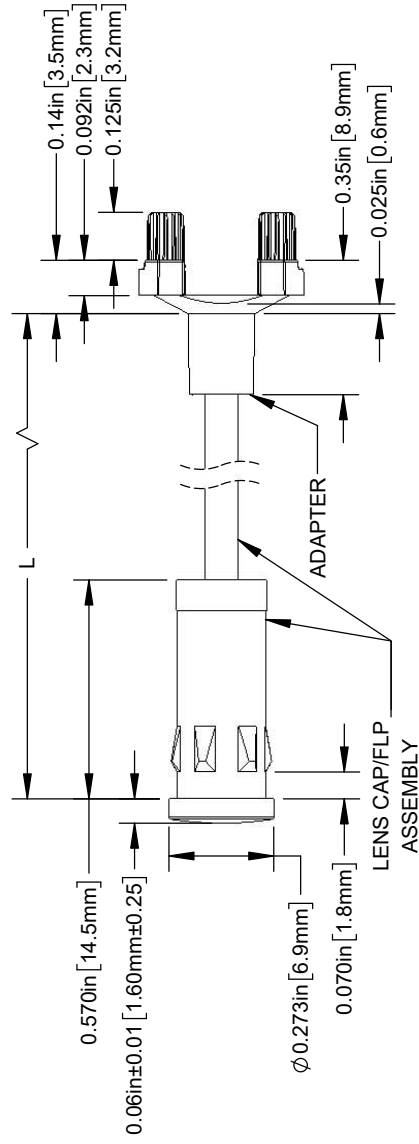
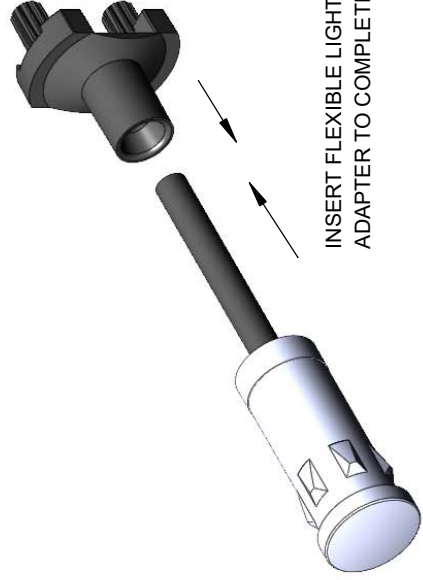


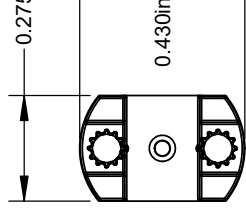
TABLE 1 - LENGTH	
LENGTH (L)*	TOLERANCE
1.00" - 16.00"	±0.05"
16.1" - 40.00"	±0.15"
40.1" - 80.00"	±0.30"
80.1" - 3,940.00"	±0.5%

*AVAILABLE IN 0.1" INCREMENTS



INSERT FLEXIBLE LIGHT PIPE INTO ADAPTER TO COMPLETE ASSEMBLY

REV.	DESCR
A	Engineering Release
B	Updated Table For Length
C	ECO-1241: Updated Reco



0.
2X $\phi 0.100\text{in} \begin{matrix} +0.000 \\ -0.005 \end{matrix}$

LED MOUNTING HOLE

RECOMMENDED MOUNTING HOLE

CUSTOMER

STANDARD TOLERANCE (UNLESS OTHERWISE SPECIFIED)		ANGULAR	
DECIMALS	X° ± 1°		
.X	±.1		
.XX	±.02		
.XXX	±.010		
DESIGNED:	B. OLIVER	DATE:	7/8/2008
REVISED:	K. BARON	DATE:	4/24/2022
CHECKED:	A. VALDEZ	DATE:	4/24/2022

Looking for pricing, stock, or lifecycle information?

Click below to explore more details on WIN SOURCE:

 [View SMFLP5-12.0 on WIN SOURCE](#)

 [Bivar Inc. Information](#)

Optimize Your Supply Chain with WIN SOURCE Solutions

-  Global Sourcing Solution
-  Obsolete Management
-  Cost Control Management
-  Shortage Management
-  Alternative Solution
-  Excess Inventory Management