



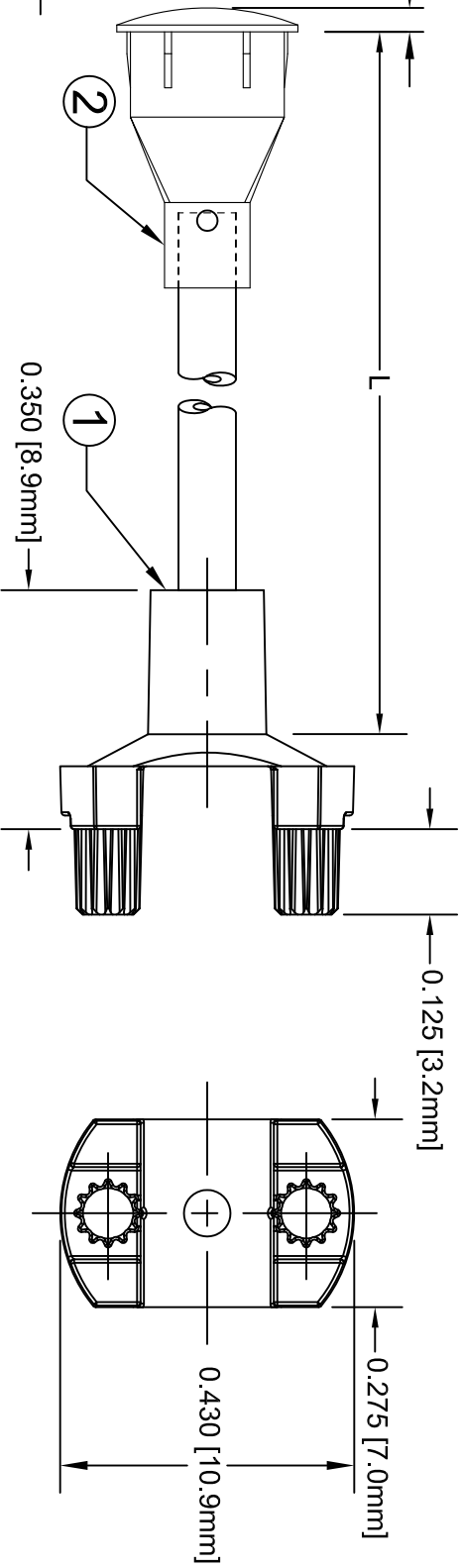
THE DATASHEET OF SMFLPR1-2.5



PART DESCRIPTION	
Adapter, Surface Mount Flexible Light Pipe	
Rectangular Lens Cap Assy.	

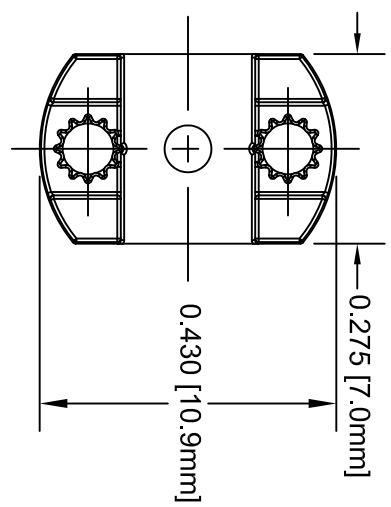
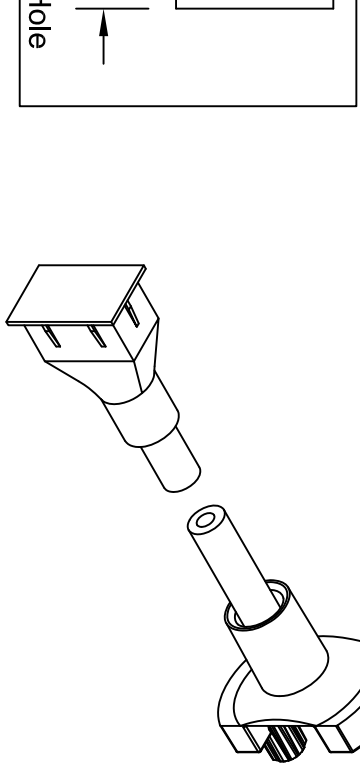
SHIPPED NON-ASSEMBLED

REV.	DESCRIPTION	DATE	APPROVED
A	Engineering Release.	03/01/05	M. C.
B	Added Shipping Note and Tolerance Table	04/17/06	M. C.
C	Updated Table For Length "L"	11/12/12	T. Y.



" L " *	Tolerance
1.0" ~ 16.0"	±0.050"
16.1" ~ 40.0"	±0.15"
40.1" ~ 80.0"	±0.30"
80.1" ~ 3,940.0"	±0.5%

* Available in 0.1" increments only



$\varnothing .101^{+.003}_{-.002}$
 TYP.
 $0.290 [7.4\text{mm}]$
 $0.150 [3.8\text{mm}]$
 SQ.

Recommended Soldering Pattern & Mounting Holes


STANDARD TOLERANCE (UNLESS OTHERWISE SPECIFIED)		TITLE: FLEXIBLE LIGHT-PIPE SMD LED ADAPTER ASSY	
DECIMALS	ANGULAR	DESIGNED:	DATE:
.X ± .1	X° ± 1°	David Green	03/01/05
.XX ± .02			
.XXX ± .010			
CHECKED: T. Yin		DATE: 03/01/05	REVISION: C
		PART NO: SMFLPR1-X.X	
		CAGE CODE : 32559	SHEET # 1 OF 1
		CAD GENERATED DOCUMENT. DO NOT MEASURE DRAWING.	

BIVAR®

4 THOMAS, IRVINE, CA, 92618
 TEL: (949) 951-8808 FAX: (949) 951-3974

Looking for pricing, stock, or lifecycle information?

Click below to explore more details on WIN SOURCE:

 [View SMFLPR1-2.5 on WIN SOURCE](#)

 [Bivar Inc. Information](#)

Optimize Your Supply Chain with WIN SOURCE Solutions

-  Global Sourcing Solution
-  Obsolete Management
-  Cost Control Management
-  Shortage Management
-  Alternative Solution
-  Excess Inventory Management