



THE DATASHEET OF SMFLP25-3.5



NOTES:

1. COMPONENTS SHIPPED NON-ASSEMBLED.

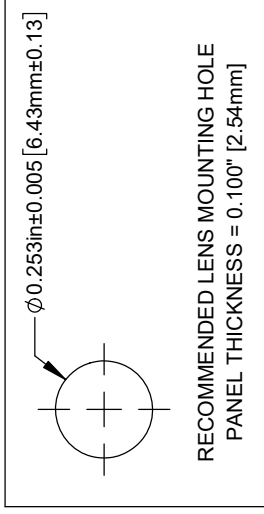
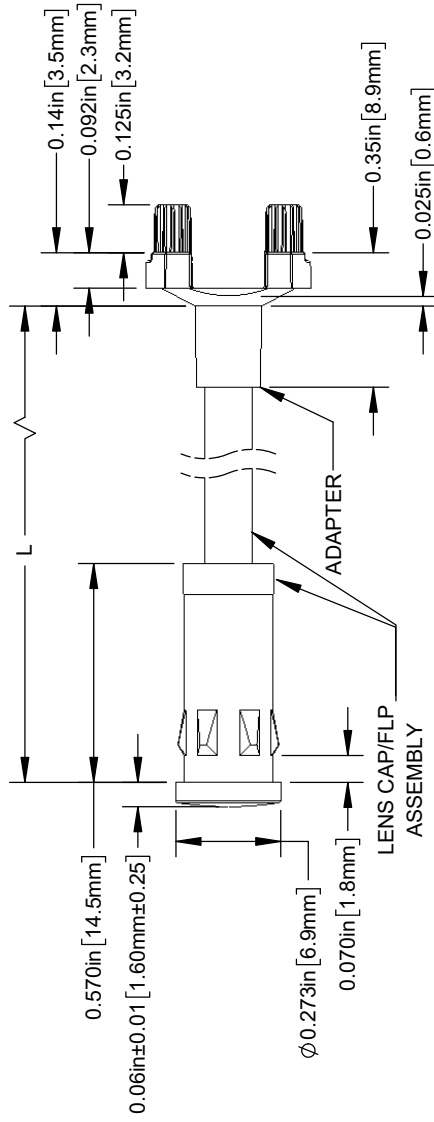
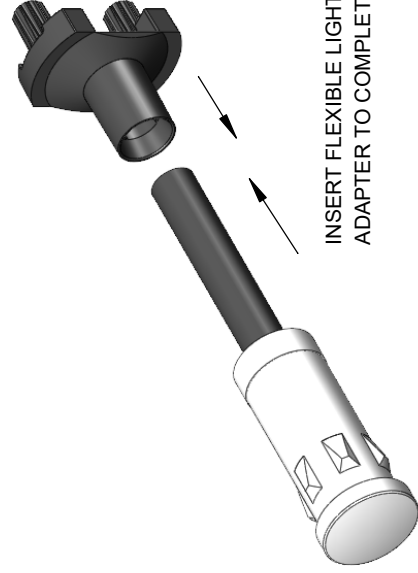


TABLE 1 - LENGTH	
LENGTH (L)*	TOLERANCE
1.00" - 16.00"	±0.05"
16.1" - 40.00"	±0.15"
40.1" - 80.00"	±0.30"
80.1" - 3,940.00"	±0.5%

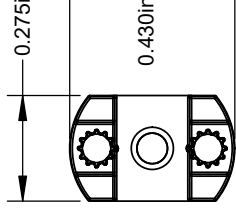
*AVAILABLE IN 0.1" INCREMENTS

0.
2X $\phi 0.100\text{in}^{+0.000}_{-0.005}$

LED MOUNTING
RECOMMENDATIONS
& MOUNTING



REV.	DESCR.
A	Engineering Release
B	Updated Table For Length
C	ECO-1241: Updated Reco
D	ECO-1267: Updated Comp
E	ECO-1274: Updated MFG



STANDARD TOLERANCE
(UNLESS OTHERWISE SPECIFIED)

DECIMALS	ANGULAR
X $\pm .1$	X° $\pm 1^\circ$
.XX $\pm .02$	
.XXX $\pm .010$	

DESIGNED:	DATE:
B. OLIVER	9/14/2005
REVISED:	DATE:
K. BARON	7/10/2022
CHECKED:	DATE:
A. VALDEZ	7/10/2022

CUSTOMER

Looking for pricing, stock, or lifecycle information?

Click below to explore more details on WIN SOURCE:

 [View SMFLP25-3.5 on WIN SOURCE](#)

 [Bivar Inc. Information](#)

Optimize Your Supply Chain with WIN SOURCE Solutions

-  Global Sourcing Solution
-  Obsolete Management
-  Cost Control Management
-  Shortage Management
-  Alternative Solution
-  Excess Inventory Management