



THE DATASHEET OF SMFLP25-4.0



NOTES:

1. COMPONENTS SHIPPED NON-ASSEMBLED.

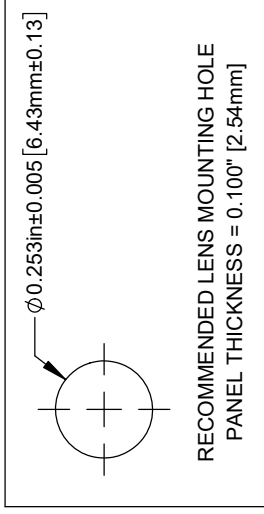
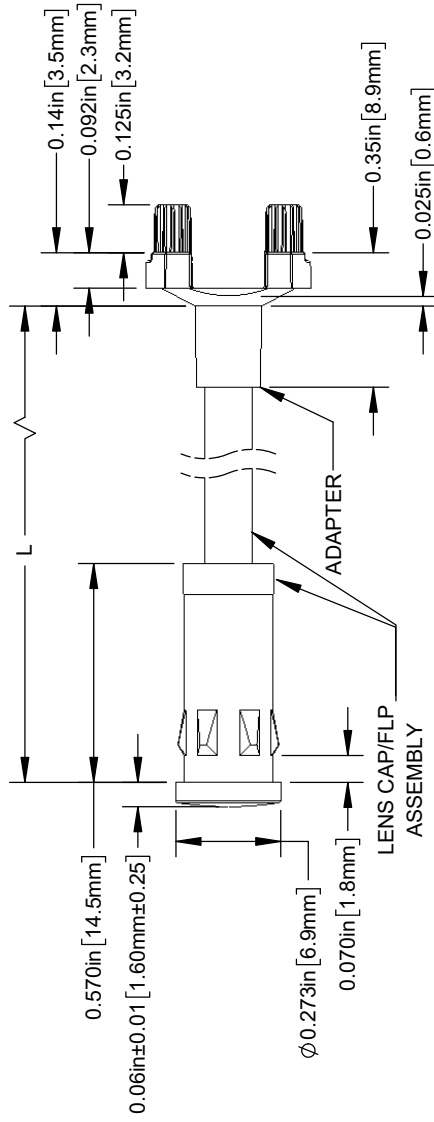
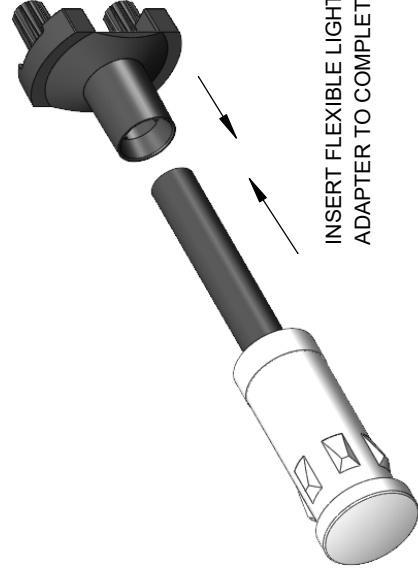


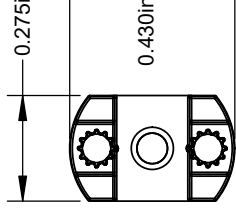
TABLE 1 - LENGTH	
LENGTH (L)*	TOLERANCE
1.00" - 16.00"	±0.05"
16.1" - 40.00"	±0.15"
40.1" - 80.00"	±0.30"
80.1" - 3,940.00"	±0.5%

*AVAILABLE IN 0.1" INCREMENTS



INSERT FLEXIBLE LIGHT PIPE INTO
ADAPTER TO COMPLETE ASSEMBLY

REV.	DESCR
A	Engineering Release
B	Updated Table For Length
C	ECO-1241: Updated Reco
D	ECO-1267: Updated Comp
E	ECO-1274: Updated MFG



0.	2X $\phi 0.100\text{in}^{+0.000}_{-0.005}$
	LED MOUNT
	RECOMMENDATIONS & MOUNTING

CUSTOMER

STANDARD TOLERANCE (UNLESS OTHERWISE SPECIFIED)	
DECIMALS	ANGULAR
X ± 0.1	X° $\pm 1^\circ$
.XX ± 0.02	
.XXX ± 0.010	

DESIGNED:	B. OLIVER	DATE:	9/14/2005
REVISED:	K. BARON	DATE:	7/10/2022
CHECKED:	A. VALDEZ	DATE:	7/10/2022

Looking for pricing, stock, or lifecycle information?

Click below to explore more details on WIN SOURCE:

 [View SMFLP25-4.0 on WIN SOURCE](#)

 [Bivar Inc. Information](#)

Optimize Your Supply Chain with WIN SOURCE Solutions

-  Global Sourcing Solution
-  Obsolete Management
-  Cost Control Management
-  Shortage Management
-  Alternative Solution
-  Excess Inventory Management