



THE DATASHEET OF SMFLPIR-4.0



NOTES:

1. ALLOWABLE FLEXIBLE LIGHT PIPE CUT LENGTH AVAILABLE IN INCREMENTS OF 0.05".
2. MINIMUM BEND RADIUS OF FLEXIBLE LIGHT PIPE: 0.87" [22mm].
3. COMPONENTS SHIPPED NON-ASSEMBLED.
4. MINIMUM 0.210" FIBER INSERTION INTO SMFLP.

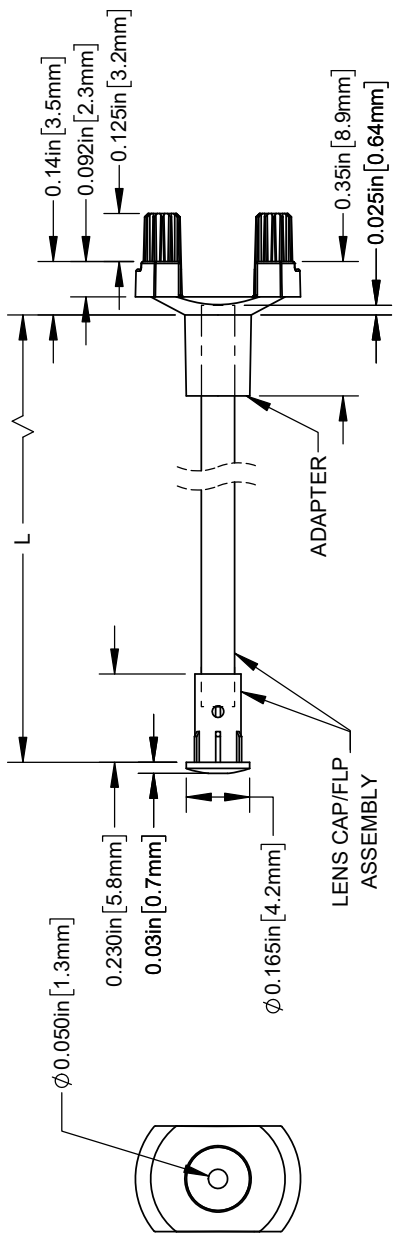
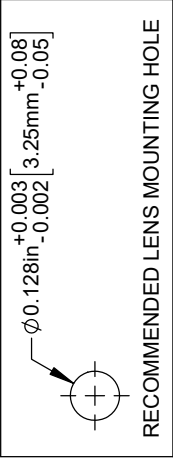
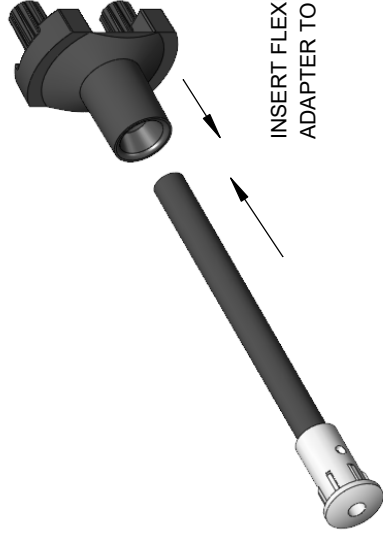


TABLE 1 - LENGTH	
LENGTH (L)*	TOLERANCE
1.00" - 16.00"	±0.05"
16.1" - 40.00"	±0.15"
40.1" - 80.00"	±0.30"
80.1" - 3,940.00"	±0.5%

*AVAILABLE IN 0.1" INCREMENTS



RECOMMENDED LENS MOUNTING HOLE



REV.	DESCR
A	Engineering Release
B	Updated Fiber To FLPS In
C	ECO-1241: Updated Reco



0.15
2X $\phi 0.100\text{in} \begin{matrix} +0.000 \\ -0.005 \end{matrix}$ [2.5mm]

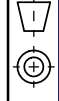
LED MOUNTING

RECOMMENDED
& MOUNTING

CUSTOMER

STANDARD TOLERANCE
(UNLESS OTHERWISE SPECIFIED)

DECIMALS	ANGULAR
X $\pm .1$	X° $\pm 1^\circ$
.XX $\pm .02$	
.XXX $\pm .010$	



DESIGNED:	R. PAJE	DATE:	1/29/2005
REVISED:	K. BARON	DATE:	5/10/2022
CHECKED:	A. VALDEZ	DATE:	5/10/2022

Looking for pricing, stock, or lifecycle information?

Click below to explore more details on WIN SOURCE:

 [View SMFLPIR-4.0 on WIN SOURCE](#)

 [Bivar Inc. Information](#)

Optimize Your Supply Chain with WIN SOURCE Solutions

-  Global Sourcing Solution
-  Obsolete Management
-  Cost Control Management
-  Shortage Management
-  Alternative Solution
-  Excess Inventory Management