



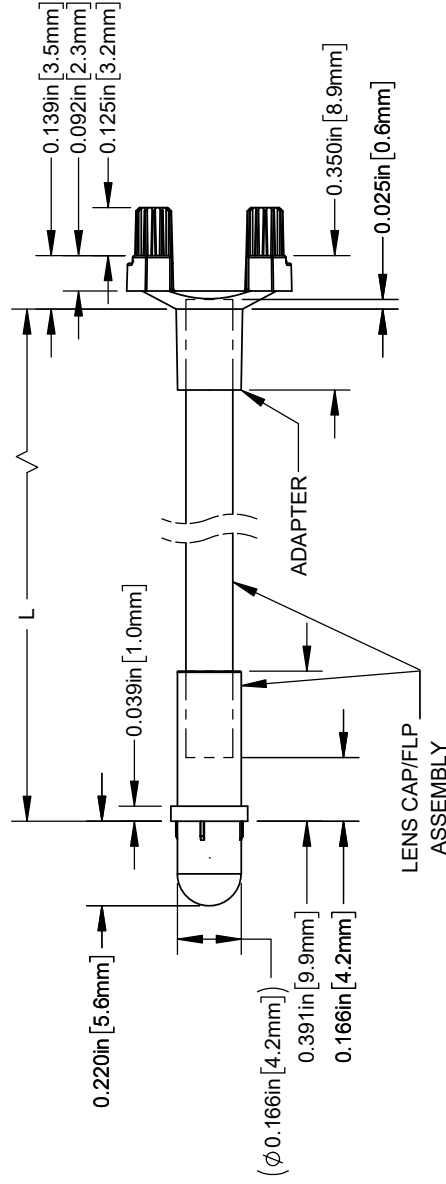
THE DATASHEET OF SMFLP2D-4.5



NOTES:

1. COMPONENTS SHIPPED NON-ASSEMBLED.

REV.	DESCR
A	Engineering Release
B	Updated Table For Length
C	ECO-1241: Updated Reco



ϕ 0.169in $^{+0.003}_{-0.002}$ [4.3mm $^{+0.1}_{-0.1}$]



RECOMMENDED LENS MOUNTING HOLE

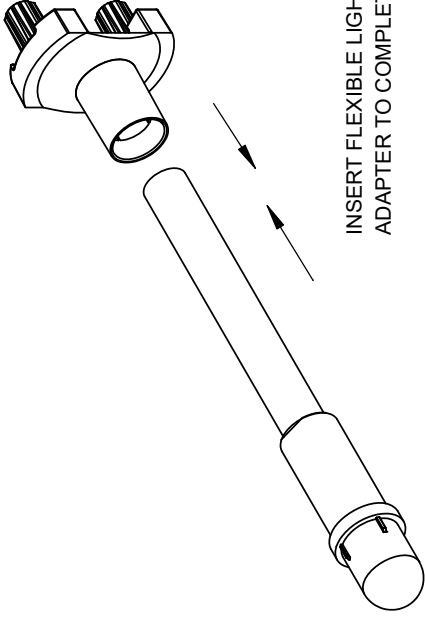
TABLE 1 - LENGTH

LENGTH (L)*	TOLERANCE
1.00" - 16.00"	± 0.05 "
16.1" - 40.00"	± 0.15 "
40.1" - 80.00"	± 0.30 "
80.1" - 3,940.00"	± 0.5 "

*AVAILABLE IN 0.1" INCREMENTS

LED MOUNTING
RECOMMENDED & MOUNTING

2X ϕ 0.100in $^{+0.000}_{-0.005}$ [2.5

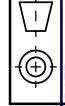


CUSTOMER

STANDARD TOLERANCE (UNLESS OTHERWISE SPECIFIED)

DECIMALS
X $\pm .1$
.XX $\pm .02$
.XXX $\pm .010$

ANGULAR
X° $\pm 1^\circ$



DESIGNED:	K. BARON	DATE:	9/14/2005
REVISED:	K. BARON	DATE:	4/26/2002
CHECKED:	A. VALDEZ	DATE:	4/26/2002

Looking for pricing, stock, or lifecycle information?

Click below to explore more details on WIN SOURCE:

 [View SMFLP2D-4.5 on WIN SOURCE](#)

 [Bivar Inc. Information](#)

Optimize Your Supply Chain with WIN SOURCE Solutions

-  Global Sourcing Solution
-  Obsolete Management
-  Cost Control Management
-  Shortage Management
-  Alternative Solution
-  Excess Inventory Management