



# THE DATASHEET OF SMFLP25-5.0



NOTES:

1. COMPONENTS SHIPPED NON-ASSEMBLED.

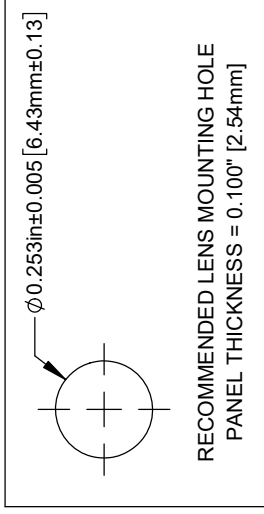
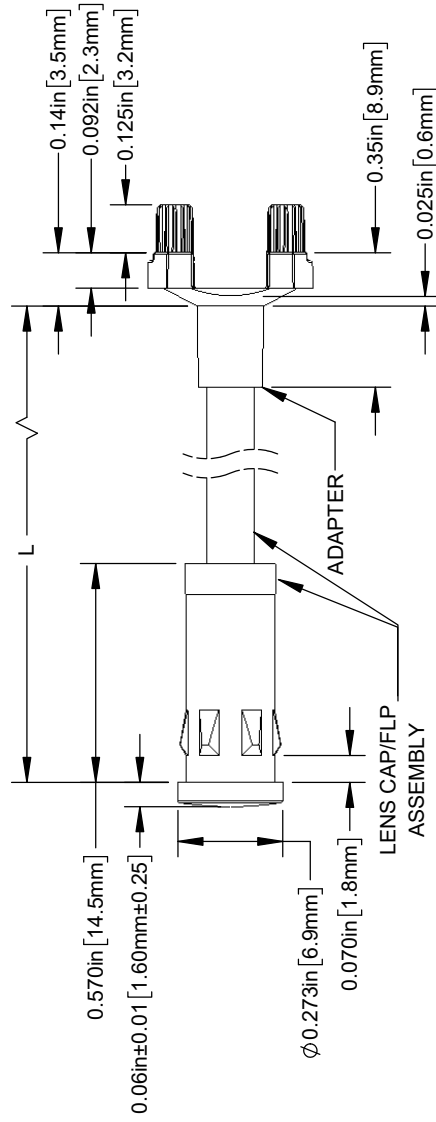
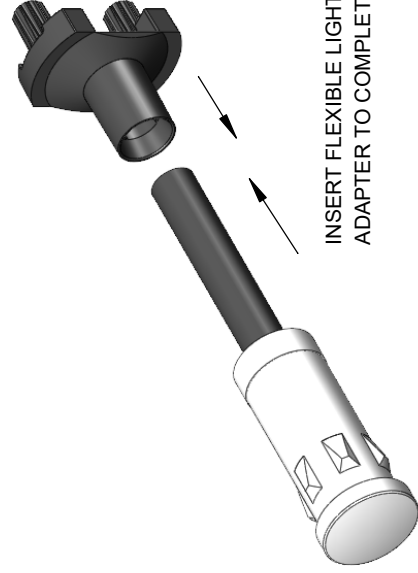


TABLE 1 - LENGTH	
LENGTH (L)*	TOLERANCE
1.00" - 16.00"	±0.05"
16.1" - 40.00"	±0.15"
40.1" - 80.00"	±0.30"
80.1" - 3,940.00"	±0.5%

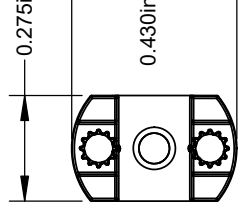
\*AVAILABLE IN 0.1" INCREMENTS

0.  
2X  $\phi 0.100\text{in}^{+0.000}_{-0.005}$

LED MOUNTING  
RECOMMENDATIONS  
& MOUNTING



REV.	DESCR
A	Engineering Release
B	Updated Table For Length
C	ECO-1241: Updated Reco
D	ECO-1267: Updated Comp
E	ECO-1274: Updated MFG



**CUSTOMER**

STANDARD TOLERANCE  
(UNLESS OTHERWISE SPECIFIED)

DECIMALS	ANGULAR
X $\pm .1$	X° $\pm 1^\circ$
.XX $\pm .02$	
.XXX $\pm .010$	

DESIGNED: B. OLIVER DATE: 9/14/2005  
 REVISION: K. BARON DATE: 7/10/2022  
 CHECKED: A. VALDEZ DATE: 7/10/2022

## Looking for pricing, stock, or lifecycle information?

Click below to explore more details on WIN SOURCE:

 [View SMFLP25-5.0 on WIN SOURCE](#)

 [Bivar Inc. Information](#)

## Optimize Your Supply Chain with WIN SOURCE Solutions

-  Global Sourcing Solution
-  Obsolete Management
-  Cost Control Management
-  Shortage Management
-  Alternative Solution
-  Excess Inventory Management