



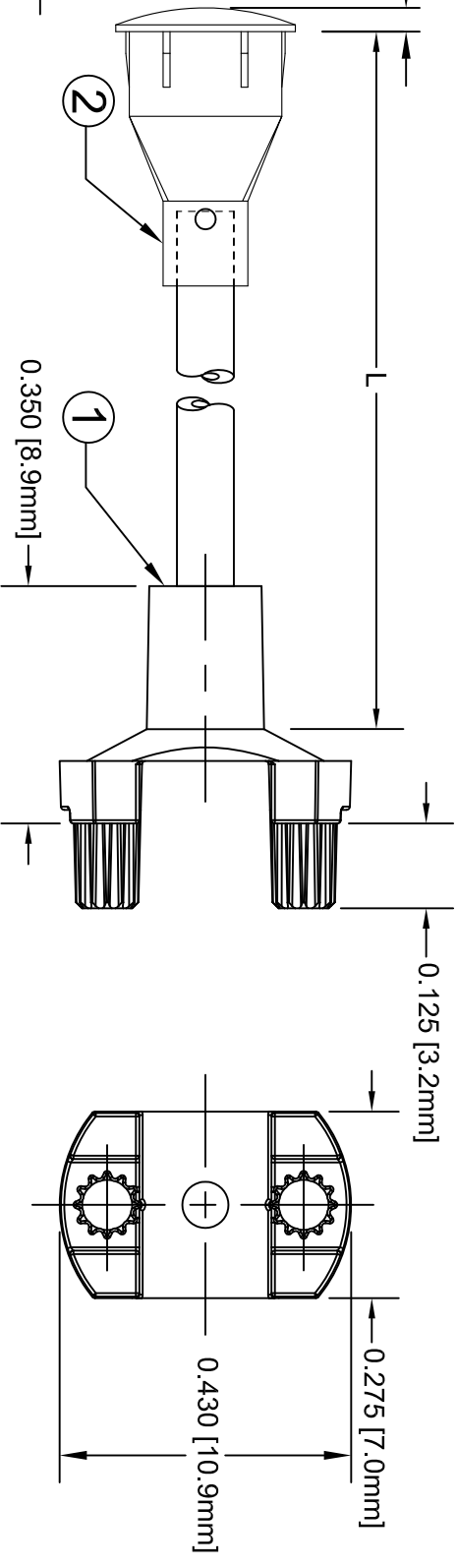
THE DATASHEET OF SMFLPR1-5.0



PART DESCRIPTION	
Adapter, Surface Mount Flexible Light Pipe	
Rectangular Lens Cap Assy.	

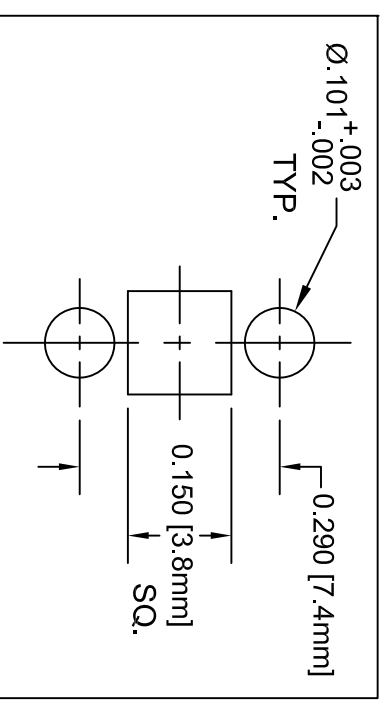
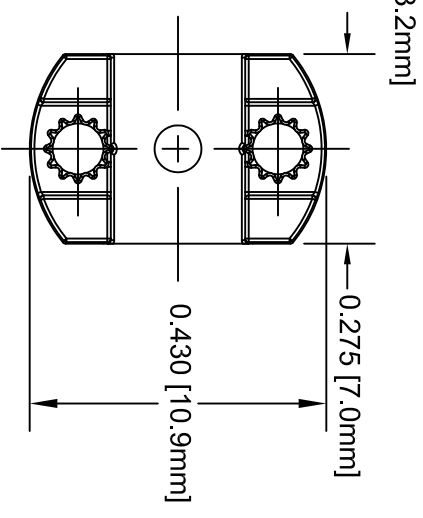
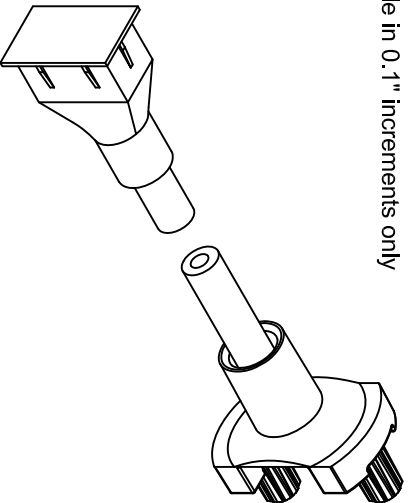
REV.	DESCRIPTION	DATE	APPROVED
A	Engineering Release.	03/01/05	M. C.
B	Added Shipping Note and Tolerance Table	04/17/06	M. C.
C	Updated Table For Length "L"	11/12/12	T. Y.

SHIPPED NON-ASSEMBLED



" L " *	Tolerance
1.0" ~ 16.0"	±0.050"
16.1" ~ 40.0"	±0.15"
40.1" ~ 80.0"	±0.30"
80.1" ~ 3,940.0"	±0.5%

* Available in 0.1" increments only




**Recommended Soldering Pattern
& Mounting Holes**

STANDARD TOLERANCE (UNLESS OTHERWISE SPECIFIED)		BIVAR®	
DECIMALS	ANGULAR	4 THOMAS, IRVINE, CA. 92618	
.X ± .1	X° ± 1°	TEL: (949) 951-8808	FAX: (949) 951-3974
.XX ± .02			
.XXX ± .010			
DESIGNED: David Green	DATE: 03/01/05	TITLE: FLEXIBLE LIGHT-PIPE	
CHECKED: T. Yin	DATE: 03/01/05	SMD LED ADAPTER ASSY	
		PART NO: SMFLPR1-X.X	REVISION: C
		CAGE CODE : 32559	SHEET # 1 OF 1
		CAD GENERATED DOCUMENT. DO NOT MEASURE DRAWING.	

Looking for pricing, stock, or lifecycle information?

Click below to explore more details on WIN SOURCE:

 [View SMFLPR1-5.0 on WIN SOURCE](#)

 [Bivar Inc. Information](#)

Optimize Your Supply Chain with WIN SOURCE Solutions

-  Global Sourcing Solution
-  Obsolete Management
-  Cost Control Management
-  Shortage Management
-  Alternative Solution
-  Excess Inventory Management