

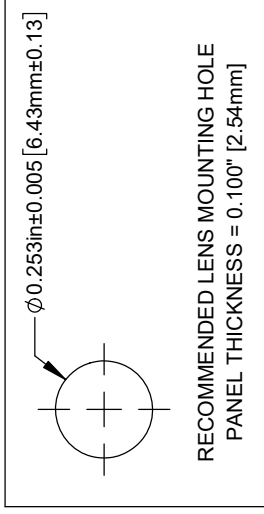
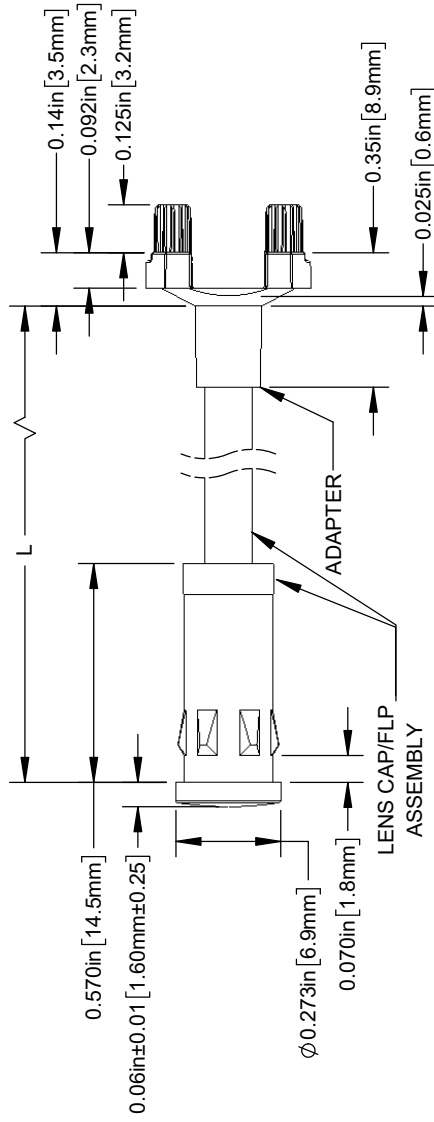


THE DATASHEET OF SMFLP25-5.5



NOTES:

1. COMPONENTS SHIPPED NON-ASSEMBLED.

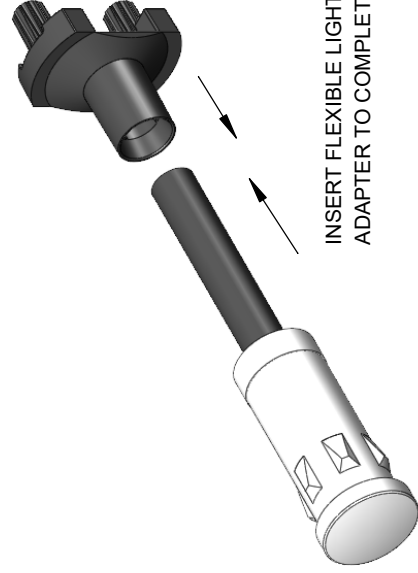


| TABLE 1 - LENGTH | |
|-------------------|-----------|
| LENGTH (L)* | TOLERANCE |
| 1.00" - 16.00" | ±0.05" |
| 16.1" - 40.00" | ±0.15" |
| 40.1" - 80.00" | ±0.30" |
| 80.1" - 3,940.00" | ±0.5% |

*AVAILABLE IN 0.1" INCREMENTS

0.
2X $\phi 0.100\text{in}^{+0.000}_{-0.005}$

LED MOUNTING
RECOMMENDATIONS
& MOUNTING



CUSTOMER

STANDARD TOLERANCE
(UNLESS OTHERWISE SPECIFIED)

| DECIMALS | ANGULAR |
|------------|---------|
| X ±.1 | X° ±1° |
| .XX ±.02 | |
| .XXX ±.010 | |

| DESIGNED: | DATE: |
|-----------|-----------|
| B. OLIVER | 9/14/2005 |
| REVISED: | DATE: |
| K. BARON | 7/10/2022 |
| CHECKED: | DATE: |
| A. VALDEZ | 7/10/2022 |

| REV. | DESCR |
|------|--------------------------|
| A | Engineering Release |
| B | Updated Table For Length |
| C | ECO-1241: Updated Reco |
| D | ECO-1267: Updated Comp |
| E | ECO-1274: Updated MFG |

Looking for pricing, stock, or lifecycle information?

Click below to explore more details on WIN SOURCE:

 [View SMFLP25-5.5 on WIN SOURCE](#)

 [Bivar Inc. Information](#)

Optimize Your Supply Chain with WIN SOURCE Solutions

-  Global Sourcing Solution
-  Obsolete Management
-  Cost Control Management
-  Shortage Management
-  Alternative Solution
-  Excess Inventory Management