



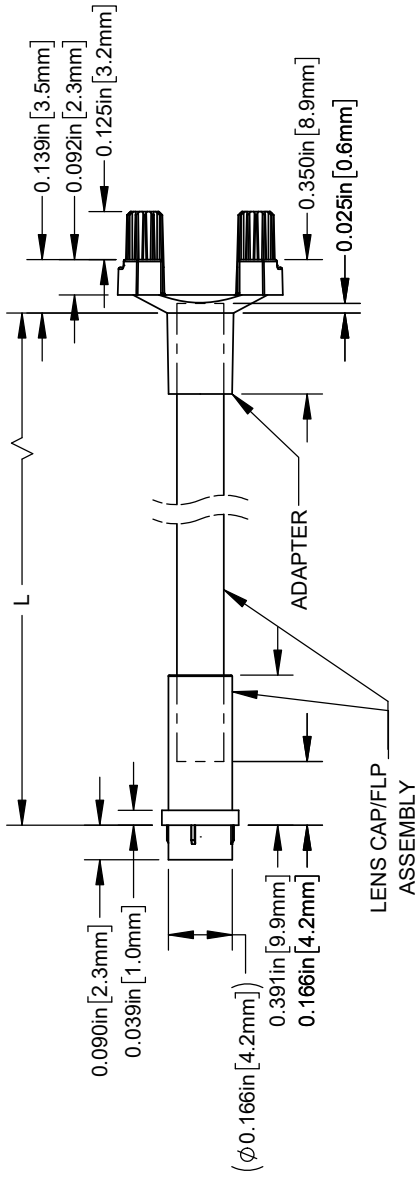
# THE DATASHEET OF SMFLP2F-6.0



NOTES:

1. COMPONENTS SHIPPED NON-ASSEMBLED.

REV.	DESCR
A	Engineering Release
B	Updated Table For Length
C	ECO-1241: Updated Reco



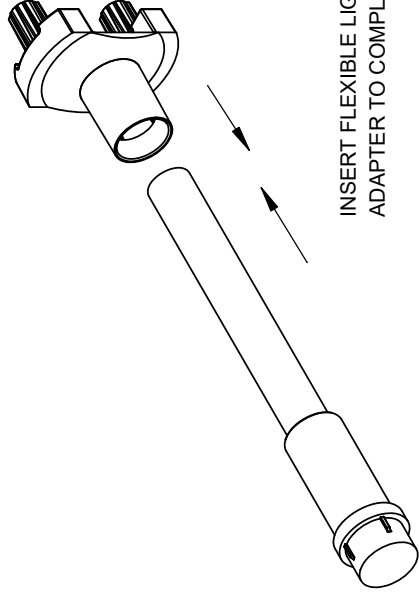
$\varnothing 0.169in^{+0.003}_{-0.002}$  [ 4.3mm  $^{+0.1}_{-0.1}$  ]



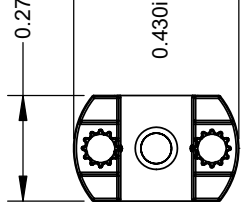
RECOMMENDED LENS MOUNTING HOLE

TABLE 1 - LENGTH	
LENGTH (L)*	TOLERANCE
1.00" - 16.00"	±0.05"
16.1" - 40.00"	±0.15"
40.1" - 80.00"	±0.30"
80.1" - 3,940.00"	±0.5%

\*AVAILABLE IN 0.1" INCREMENTS



INSERT FLEXIBLE LIGHT PIPE INTO  
ADAPTER TO COMPLETE ASSEMBLY



0.150  
2X  $\varnothing 0.100in^{+0.000}_{-0.005}$  [ 2.5

LED MOUNTING

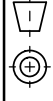
RECOMMENDED  
& MOUN

**CUSTOMER**

STANDARD TOLERANCE

(UNLESS OTHERWISE SPECIFIED)

DECIMALS	ANGULAR
X ±.1	X° ±1°
.XX ±.02	
.XXX ±.010	



DESIGNED:	K. BARON	DATE:	9/14/2005
REVISID:	K. BARON	DATE:	5/9/2024
CHECKED:	A. VALDEZ	DATE:	5/9/2024

## Looking for pricing, stock, or lifecycle information?

Click below to explore more details on WIN SOURCE:

 [View SMFLP2F-6.0 on WIN SOURCE](#)

 [Bivar Inc. Information](#)

## Optimize Your Supply Chain with WIN SOURCE Solutions

-  Global Sourcing Solution
-  Obsolete Management
-  Cost Control Management
-  Shortage Management
-  Alternative Solution
-  Excess Inventory Management