



THE DATASHEET OF SMFLP2-6.5



NOTES:

1. ALLOWABLE FLEXIBLE LIGHT PIPE CUT LENGTH AVAILABLE IN INCREMENTS OF 0.1".
2. MINIMUM BEND RADIUS OF FLEXIBLE LIGHT PIPE: 1.22" [31mm].
3. COMPONENTS SHIPPED NON-ASSEMBLED.

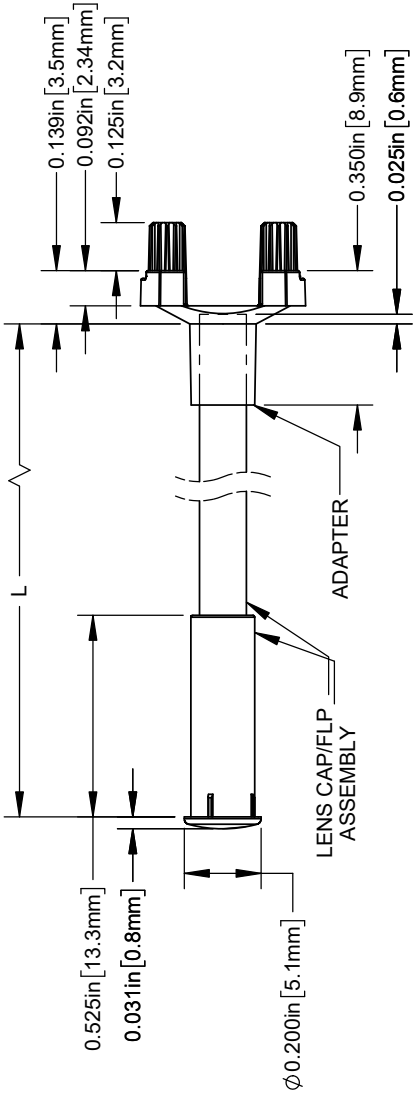


TABLE 1 - LENGTH	
LENGTH (L)*	TOLERANCE
1.00" - 16.00"	±0.05"
16.1" - 40.00"	±0.15"
40.1" - 80.00"	±0.30"
80.1" - 3,940.00"	±0.5%

*AVAILABLE IN 0.1" INCREMENTS



0.15
2X $\phi 0.100\text{in} \begin{matrix} +0.000 \\ -0.005 \end{matrix} [2.5]$

LED MOUNTING

RECOMMENDED
& MOUNTING

CUSTOMER

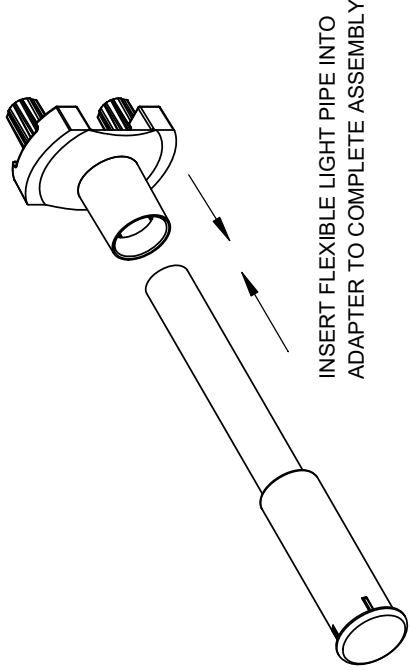
STANDARD TOLERANCE
(UNLESS OTHERWISE SPECIFIED)

DECIMALS
X ±.1
.XX ±.02
.XXX ±.010

ANGULAR
X° ±1°



DESIGNED: B. OLIVER DATE: 9/14/2005
 REVISED: K. BARON DATE: 4/24/2005
 CHECKED: A. VALDEZ DATE: 4/24/2005



Looking for pricing, stock, or lifecycle information?

Click below to explore more details on WIN SOURCE:

 [View SMFLP2-6.5 on WIN SOURCE](#)

 [Bivar Inc. Information](#)

Optimize Your Supply Chain with WIN SOURCE Solutions

-  Global Sourcing Solution
-  Obsolete Management
-  Cost Control Management
-  Shortage Management
-  Alternative Solution
-  Excess Inventory Management