



# THE DATASHEET OF SMFLP2-8.0



NOTES:

1. ALLOWABLE FLEXIBLE LIGHT PIPE CUT LENGTH AVAILABLE IN INCREMENTS OF 0.1".
2. MINIMUM BEND RADIUS OF FLEXIBLE LIGHT PIPE: 1.22" [31mm].
3. COMPONENTS SHIPPED NON-ASSEMBLED.

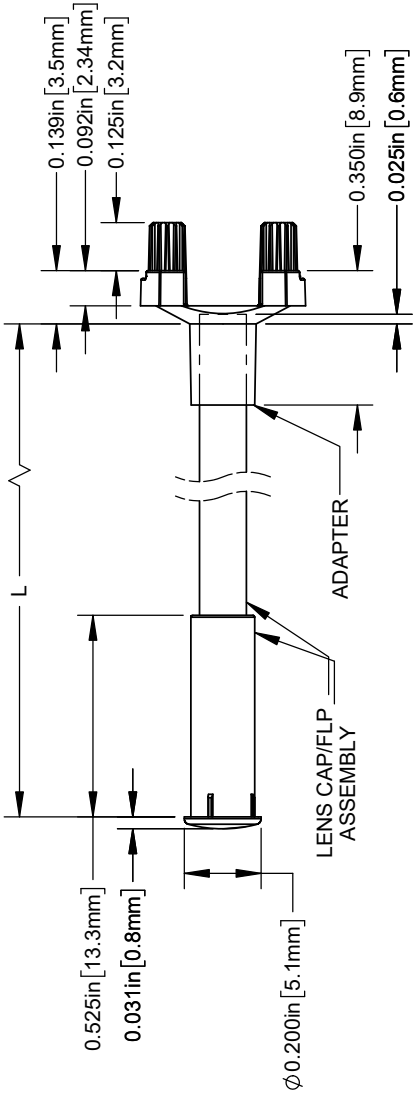


TABLE 1 - LENGTH	
LENGTH (L)*	TOLERANCE
1.00" - 16.00"	±0.05"
16.1" - 40.00"	±0.15"
40.1" - 80.00"	±0.30"
80.1" - 3,940.00"	±0.5%

\*AVAILABLE IN 0.1" INCREMENTS



RECOMMENDED LENS MOUNTING HOLE

0.151  
2X  $\phi 0.100$ in  $+0.000$   $-0.005$  [2.254mm]

LED MOUNTING

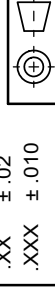
RECOMMENDED  
& MOUNTING

**CUSTOMER**

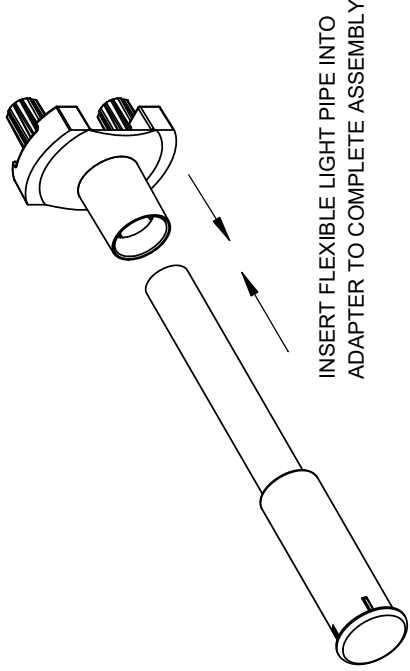
STANDARD TOLERANCE  
(UNLESS OTHERWISE SPECIFIED)

DECIMALS: X ±.1  
.XX ±.02  
.XXX ±.010

ANGULAR: X° ±1°



DESIGNED: B. OLIVER DATE: 9/14/2005  
REVISED: K. BARON DATE: 4/24/2002  
CHECKED: A. VALDEZ DATE: 4/24/2002



INSERT FLEXIBLE LIGHT PIPE INTO  
ADAPTER TO COMPLETE ASSEMBLY

## Looking for pricing, stock, or lifecycle information?

Click below to explore more details on WIN SOURCE:

 [View SMFLP2-8.0 on WIN SOURCE](#)

 [Bivar Inc. Information](#)

## Optimize Your Supply Chain with WIN SOURCE Solutions

-  Global Sourcing Solution
-  Obsolete Management
-  Cost Control Management
-  Shortage Management
-  Alternative Solution
-  Excess Inventory Management