



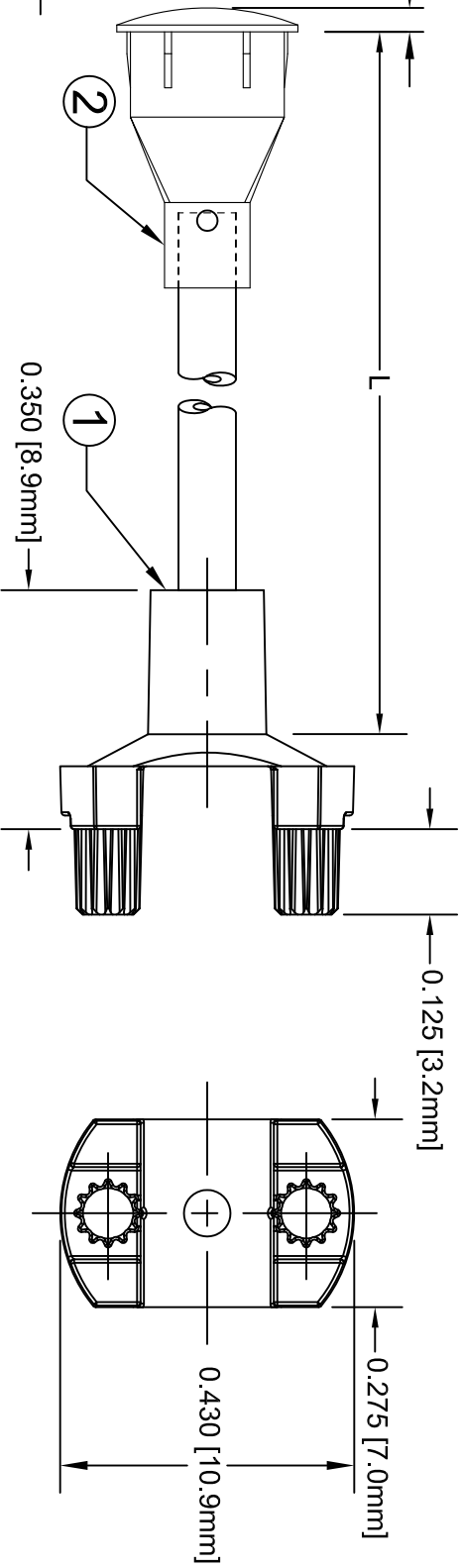
# THE DATASHEET OF SMFLPR1-9.0



PART DESCRIPTION	
Adapter, Surface Mount Flexible Light Pipe	
Rectangular Lens Cap Assy.	

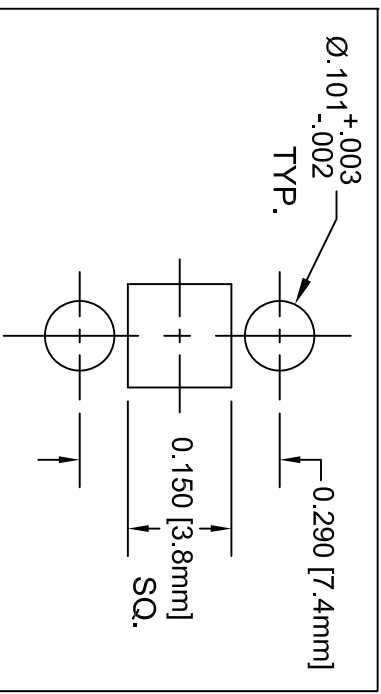
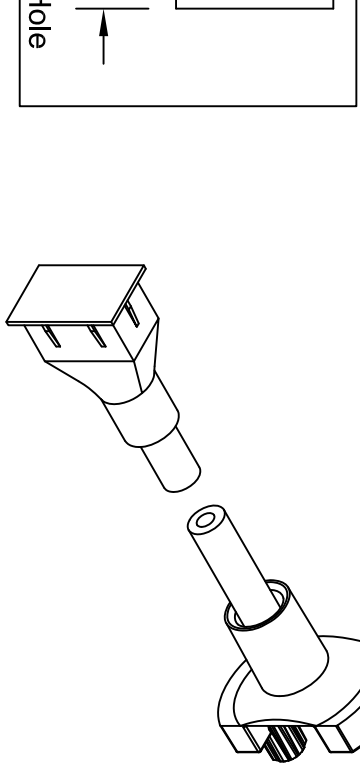
SHIPPED NON-ASSEMBLED

REV.	DESCRIPTION	DATE	APPROVED
<b>A</b>	Engineering Release.	<b>03/01/05</b>	<b>M. C.</b>
<b>B</b>	Added Shipping Note and Tolerance Table	<b>04/17/06</b>	<b>M. C.</b>
<b>C</b>	Updated Table For Length "L"	<b>11/12/12</b>	<b>T. Y.</b>



" L " *	Tolerance
1.0" ~ 16.0"	±0.050"
16.1" ~ 40.0"	±0.15"
40.1" ~ 80.0"	±0.30"
80.1" ~ 3,940.0"	±0.5%

\* Available in 0.1" increments only



Recommended Soldering Pattern  
& Mounting Holes


STANDARD TOLERANCE (UNLESS OTHERWISE SPECIFIED)		TITLE:	
DECIMALS	ANGULAR	FLEXIBLE LIGHT-PIPE	
.X ± .1	X° ± 1°	SMD LED ADAPTER ASSY	
.XX ± .02		DESIGNED:	DATE:
.XXX ± .010		David Green	03/01/05
		CHECKED:	DATE:
		T. Yin	03/01/05
		PART NO:	REVISION:
		SMFLPR1-X.X	C
		CAGE CODE : 32559	SHEET # 1 OF 1
		CAD GENERATED DOCUMENT. DO NOT MEASURE DRAWING.	



4 THOMAS, IRVINE, CA, 92618  
TEL: (949) 951-8808 FAX: (949) 951-3974

## Looking for pricing, stock, or lifecycle information?

Click below to explore more details on WIN SOURCE:

 [View SMFLPR1-9.0 on WIN SOURCE](#)

 [Bivar Inc. Information](#)

## Optimize Your Supply Chain with WIN SOURCE Solutions

-  Global Sourcing Solution
-  Obsolete Management
-  Cost Control Management
-  Shortage Management
-  Alternative Solution
-  Excess Inventory Management