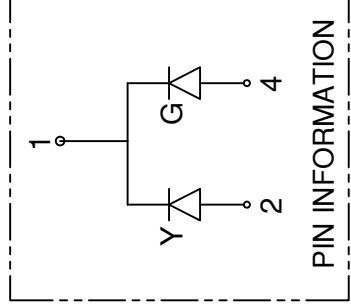
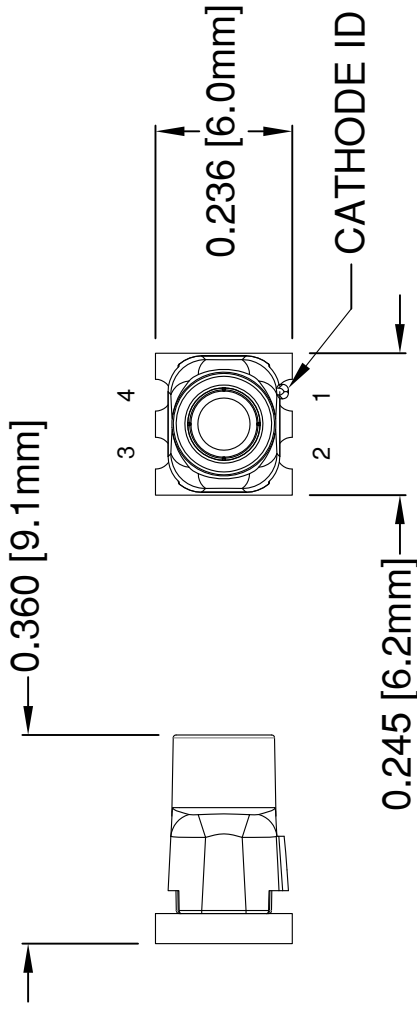




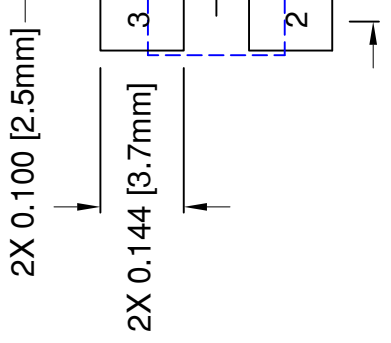
**THE DATASHEET OF
SMTV01-Y14G33**



REV.	
B	Engineering Release
C	Revised Side View, S
D	Corrected Typo in Re



RECOMMENDED S



ABSOLUTE MAXIMUM RATINGS at Ta=25°C

REVERSE VOLTAGE	5V
REVERSE CURRENT	100µA
OPERATING TEMPERATURE RANGE	-35°C - 85°C
STORAGE TEMPERATURE	-35°C - 85°C
MAX SOLDERING TEMPERATURE	260°C FOR 3 SECONDS

STANDARD TOLERANCES (UNLESS OTHERWISE SPECIFIED)

DECIMALS	ANGLES
.X ±.1	X°
.XX ±.02	
.XXX ±.010	

DESIGNED: **A. Wright** DATE: **03/11**

CHECKED: **B. Oliver** DATE: **03/11**

- NOTES:
- DERATING OF FORWARD CURRENT PER SEGMENT, 0.30mA/°C at T ≥ 25°C
 - ACCEPTS BIVAR FLEXIBLE LIGHT PIPE STYLE FLPS2031

REV.	SEE SHEET #1

Part Number	Chip			Absolute Maximum Ratings Per Segment			Elect @ V [V]		
	Emitted Color	λ_d [nm]		P_d [mW]	I_f [mA]	Peak I_f [mA]		MIN	
		MIN	TYP						MAX
SMTV01-Y11G15	YELLOW	585	590	595	60	25	100	1.8	2.8
	GREEN	510	515	520	60	25	100	2.8	3.3
SMTV01-Y14G33	YELLOW	585	590	595	60	25	100	1.8	2.8
	GREEN	510	515	520	60	25	100	2.8	3.3

Note: 10% Duty Cycle, Pulse Width ≤ 0.1 msec for Peak I_f .

STANDARD TOLERANCES
(UNLESS OTHERWISE SPECIFIED)

DECIMALS	ANGU
.X	$\pm .1$
.XX	$\pm .02$
.XXX	$\pm .010$

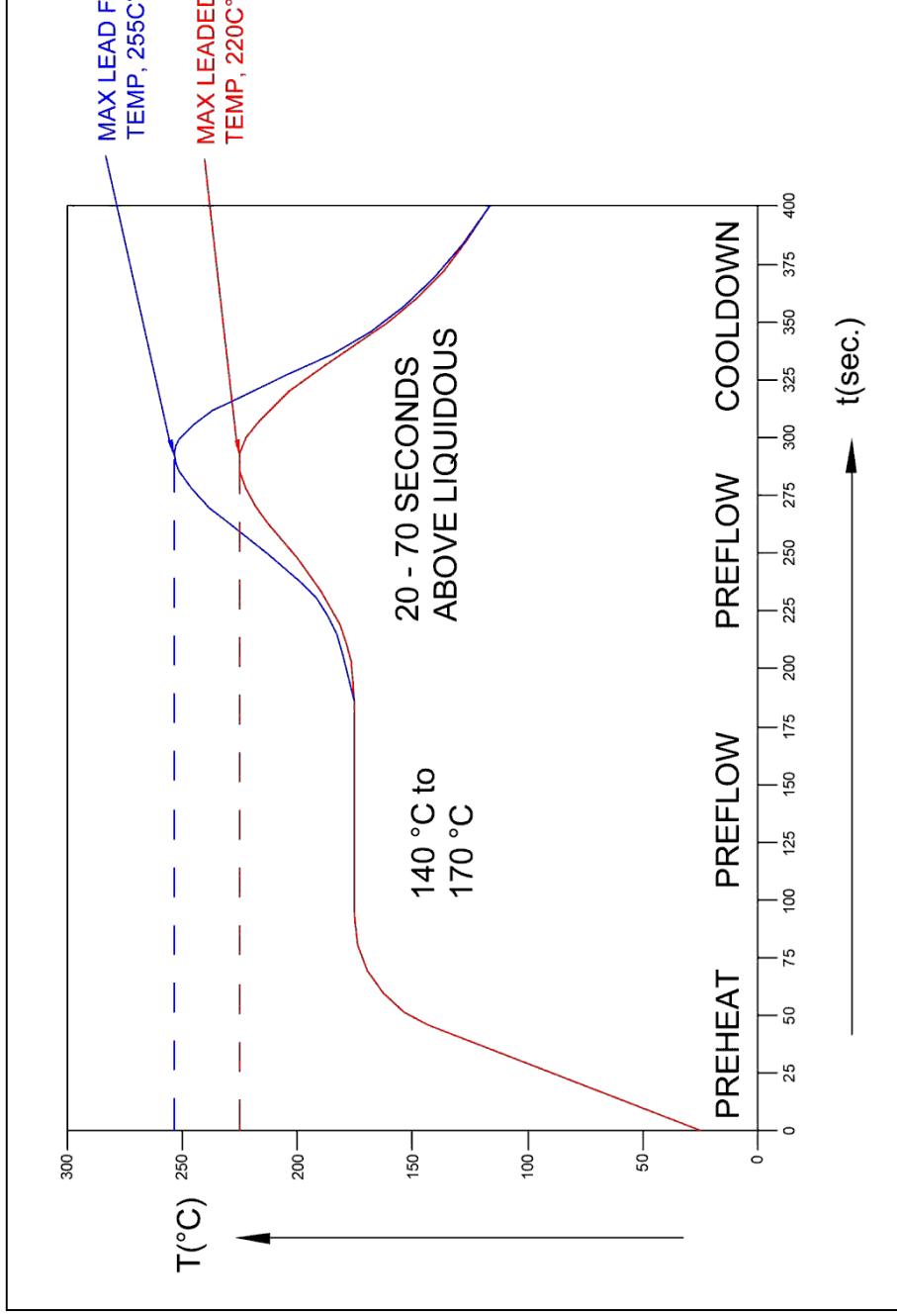
DESIGNED: **A. Wright** DATE: **03/11**
 CHECKED: **B. Oliver** DATE: **03/11**



REV.

SEE SHEET #1

Recommended Reflow Soldering Profile



STANDARD TOLERAN
(UNLESS OTHERWISE SPECI

DECIMALS ANGU

.X ±.1 X°

.XX ±.02

.XXX ±.010

DESIGNED: **A. Wright**

CHECKED: **B. Oliver**

DATE: **03/1**

DATE: **03/1**

NOTE:

1. Do not clean after soldering. Only use no-clean solder paste.

Looking for pricing, stock, or lifecycle information?

Click below to explore more details on WIN SOURCE:

 [View SMTV01-Y14G33 on WIN SOURCE](#)

 [Bivar Inc. Information](#)

Optimize Your Supply Chain with WIN SOURCE Solutions

-  Global Sourcing Solution
-  Obsolete Management
-  Cost Control Management
-  Shortage Management
-  Alternative Solution
-  Excess Inventory Management