

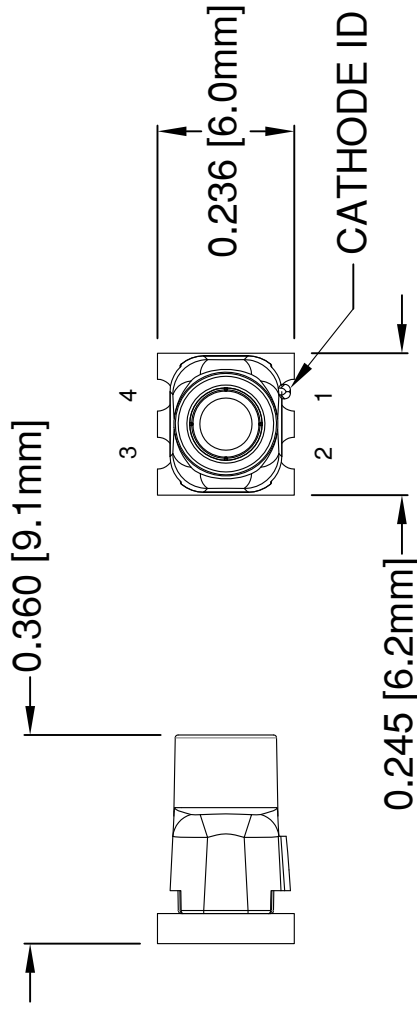
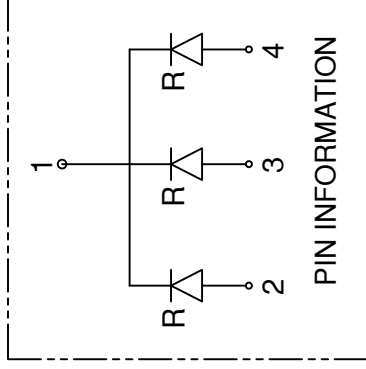
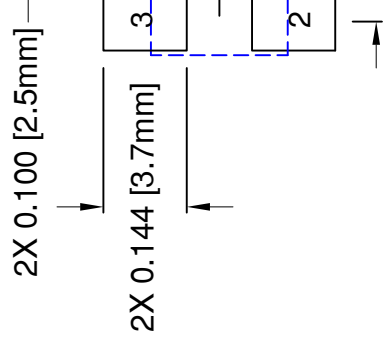


**THE DATASHEET OF
SMTV01-R37**



REV.

B	Engineering Release
C	Revised Side View, S
D	Corrected Typo in Re

**RECOMMENDED S****ABSOLUTE MAXIMUM RATINGS at Ta=25°C**

REVERSE VOLTAGE	5V
REVERSE CURRENT	100µA
OPERATING TEMPERATURE RANGE	-35°C - 85°C
STORAGE TEMPERATURE	-35°C - 85°C
MAX SOLDERING TEMPERATURE	260°C FOR 3 SECONDS

STANDARD TOLERANCES
(UNLESS OTHERWISE SPECIFIED)

DECIMALS	ANGLES
.X ±.1	X°
.XX ±.02	
.XXX ±.010	



DESIGNED:	DATE:
A. Wright	03/11
CHECKED:	DATE:
B. Oliver	03/11


NOTES:

- DERATING OF FORWARD CURRENT PER SEGMENT, 0.30mA/°C at T≥25°C
- ACCEPTS BIVAR FLEXIBLE LIGHT PIPE STYLE FLPS2031

REV.	SEE SHEET #1

Part Number	Chip			Absolute Maximum Ratings Per Segment			Elec @ V [V]
	Emitted Color	λ_D [nm]		P_d [mW]	I_f [mA]	Peak I_f [mA]	
		MIN	TYP				
SMTV01-R25	RED	625	628	630	65	25	100
SMTV01-R37		65	65	65	25	100	1.7
SMTV01-R42		65	65	65	25	100	2.

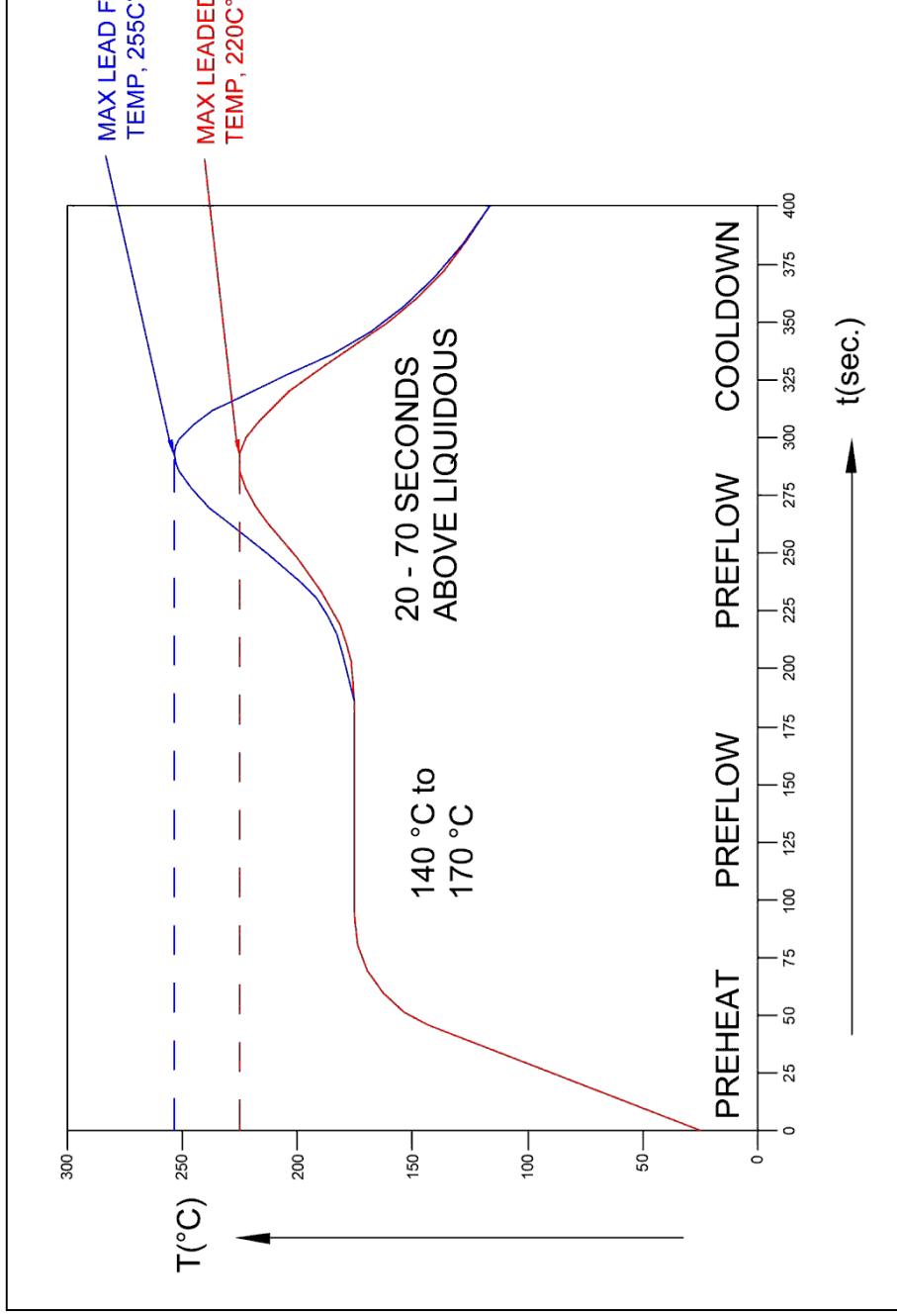
Note: 10% Duty Cycle, Pulse Width ≤ 0.1 msec for Peak I_f .

STANDARD TOLERANCES (UNLESS OTHERWISE SPECIFIED)	
DECIMALS	ANGLES
.X $\pm .1$	X°
.XX $\pm .02$	
.XXX $\pm .010$	DATE: 03/11
DESIGNED: A. Wright	CHECKED: B. Oliver

REV.

SEE SHEET #1

Recommended Reflow Soldering Profile



STANDARD TOLERAN
(UNLESS OTHERWISE SPECI

DECIMALS ANGU

.X ±.1 X°

.XX ±.02

.XXX ±.010

DESIGNED: **A. Wright**

DATE: **03/1**

CHECKED: **B. Oliver**

DATE: **03/1**

NOTE:

1. Do not clean after soldering. Only use no-clean solder paste.

Looking for pricing, stock, or lifecycle information?

Click below to explore more details on WIN SOURCE:

 [View SMTV01-R37 on WIN SOURCE](#)

 [Bivar Inc. Information](#)

Optimize Your Supply Chain with WIN SOURCE Solutions

-  Global Sourcing Solution
-  Obsolete Management
-  Cost Control Management
-  Shortage Management
-  Alternative Solution
-  Excess Inventory Management