

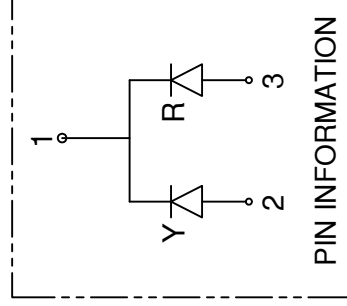
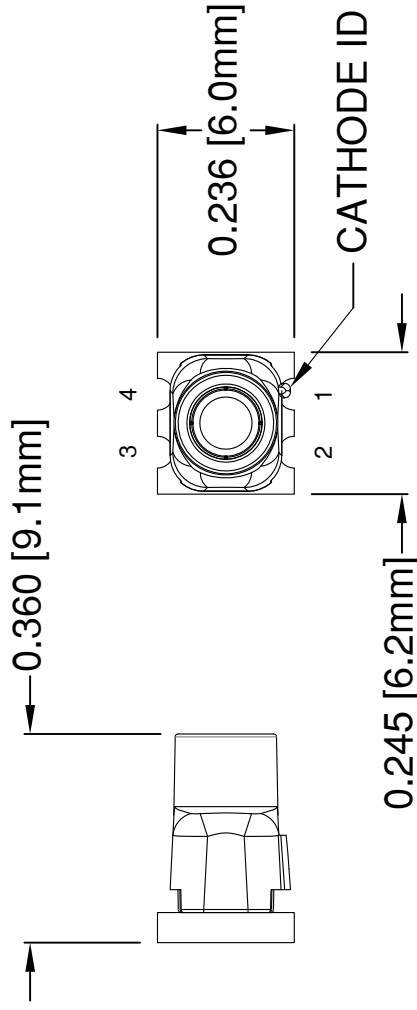
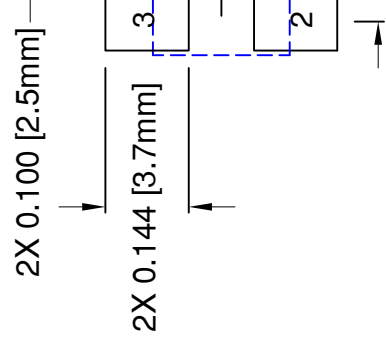


**THE DATASHEET OF
SMTV01-R08Y08**



REV.

B Engineering Release
C Revised Side View, S
D Corrected Typo in Re

**RECOMMENDED S****ABSOLUTE MAXIMUM RATINGS at Ta=25°C**

REVERSE VOLTAGE	5V
REVERSE CURRENT	100µA
OPERATING TEMPERATURE RANGE	-35°C - 85°C
STORAGE TEMPERATURE	-35°C - 85°C
MAX SOLDERING TEMPERATURE	260°C FOR 3 SECONDS

STANDARD TOLERANCES
(UNLESS OTHERWISE SPECIFIED)

DECIMALS	ANGLES
.X ±.1	X°
.XX ±.02	
.XXX ±.010	



DESIGNED BY:	DATE:
A. Wright	03/11
CHECKED BY:	DATE:
B. Oliver	03/11

NOTES:

- DERATING OF FORWARD CURRENT PER SEGMENT, 0.30mA/°C at T≥25°C
- ACCEPTS BIVAR FLEXIBLE LIGHT PIPE STYLE FLPS2031

REV.	SEE SHEET #1

Part Number	Chip			Absolute Maximum Ratings Per Segment			Elec @ [V]		
	Emitted Color	λ_d [nm]		P_d [mW]	I_f [mA]	Peak I_f [mA]			
		MIN	TYP					MAX	
SMTV01-R08Y08	RED	625	628	630	60	25	100	1.7	2.
	YELLOW	585	590	595	60	25	100	1.8	2.
SMTV01-R15Y11	RED	625	628	630	60	25	100	1.7	2.
	YELLOW	585	590	595	60	25	100	1.8	2.
SMTV01-R16Y14	RED	625	628	630	60	25	100	1.7	2.
	YELLOW	585	590	595	60	25	100	1.8	2.

Note: 10% Duty Cycle, Pulse Width \leq 0.1msec for Peak I_f .

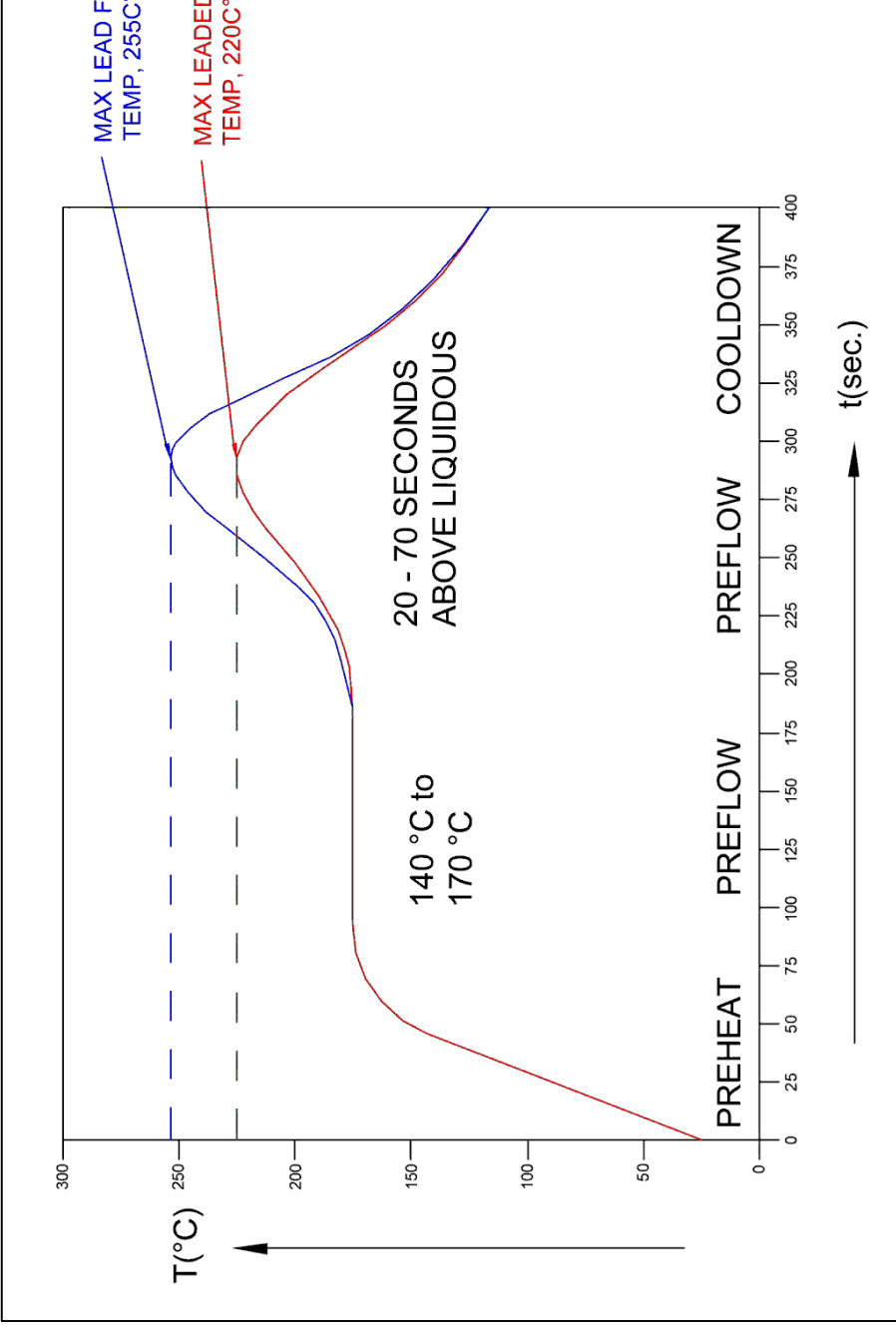
STANDARD TOLERANCES
(UNLESS OTHERWISE SPECIFIED)

DECIMALS	ANGLES
.X \pm .1	X° \pm .5
.XX \pm .02	
.XXX \pm .010	

DESIGNED:	DATE:
A. Wright	03/11
CHECKED:	DATE:
B. Oliver	03/11

REV.	SEE SHEET #1

Recommended Reflow Soldering Profile



STANDARD TOLERAN (UNLESS OTHERWISE SPECI	
DECIMALS	ANGU
.X ±.1	X°
.XX ±.02	
.XXX ±.010	
DESIGNED:	DATE:
A. Wright	03/1
CHECKED:	DATE:
B. Oliver	03/1

NOTE:
1. Do not clean after soldering. Only use no-clean solder paste.

Looking for pricing, stock, or lifecycle information?

Click below to explore more details on WIN SOURCE:

 [View SMTV01-R08Y08 on WIN SOURCE](#)

 [Bivar Inc. Information](#)

Optimize Your Supply Chain with WIN SOURCE Solutions

-  Global Sourcing Solution
-  Obsolete Management
-  Cost Control Management
-  Shortage Management
-  Alternative Solution
-  Excess Inventory Management