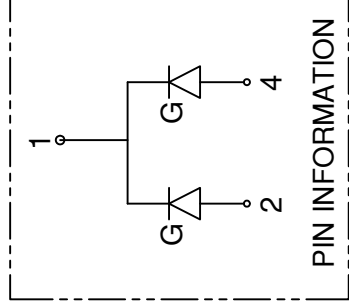
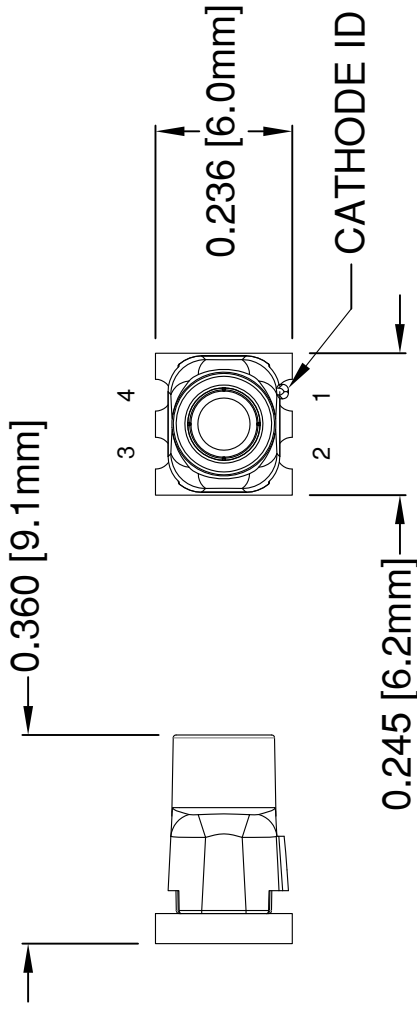




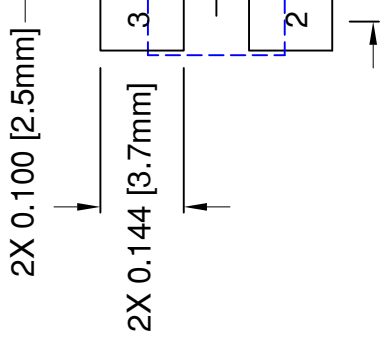
**THE DATASHEET OF
SMTV01-G48**



REV.	
B	Engineering Release
C	Revised Side View, S
D	Corrected Typo in Re



RECOMMENDED S



STANDARD TOLERANCES (UNLESS OTHERWISE SPECIFIED)	
DECIMALS	ANGLES
.X ± .1	X°
.XX ± .02	
.XXX ± .010	
DESIGNED BY:	DATE:
A. Wright	03/11
CHECKED BY:	DATE:
B. Oliver	03/11

ABSOLUTE MAXIMUM RATINGS at Ta=25°C


REVERSE VOLTAGE	5V
REVERSE CURRENT	100µA
OPERATING TEMPERATURE RANGE	-35°C - 85°C
STORAGE TEMPERATURE	-35°C - 85°C
MAX SOLDERING TEMPERATURE	260°C FOR 3 SECONDS

- NOTES:
- DERATING OF FORWARD CURRENT PER SEGMENT, 0.30mA/°C at T ≥ 25°C
 - ACCEPTS BIVAR FLEXIBLE LIGHT PIPE STYLE FLPS2031

REV.	SEE SHEET #1

Part Number	Chip				Absolute Maximum Ratings Per Segment			Elec @ V [V]
	Emitted Color	λ_d [nm]			P_d [mW]	I_f [mA]	Peak I_f [mA]	
		MIN	TYP	MAX				
SMTV01-G27	GREEN	510	515	520	100	25	100	MIN TYP 3.
SMTV01-G48					100	25	100	

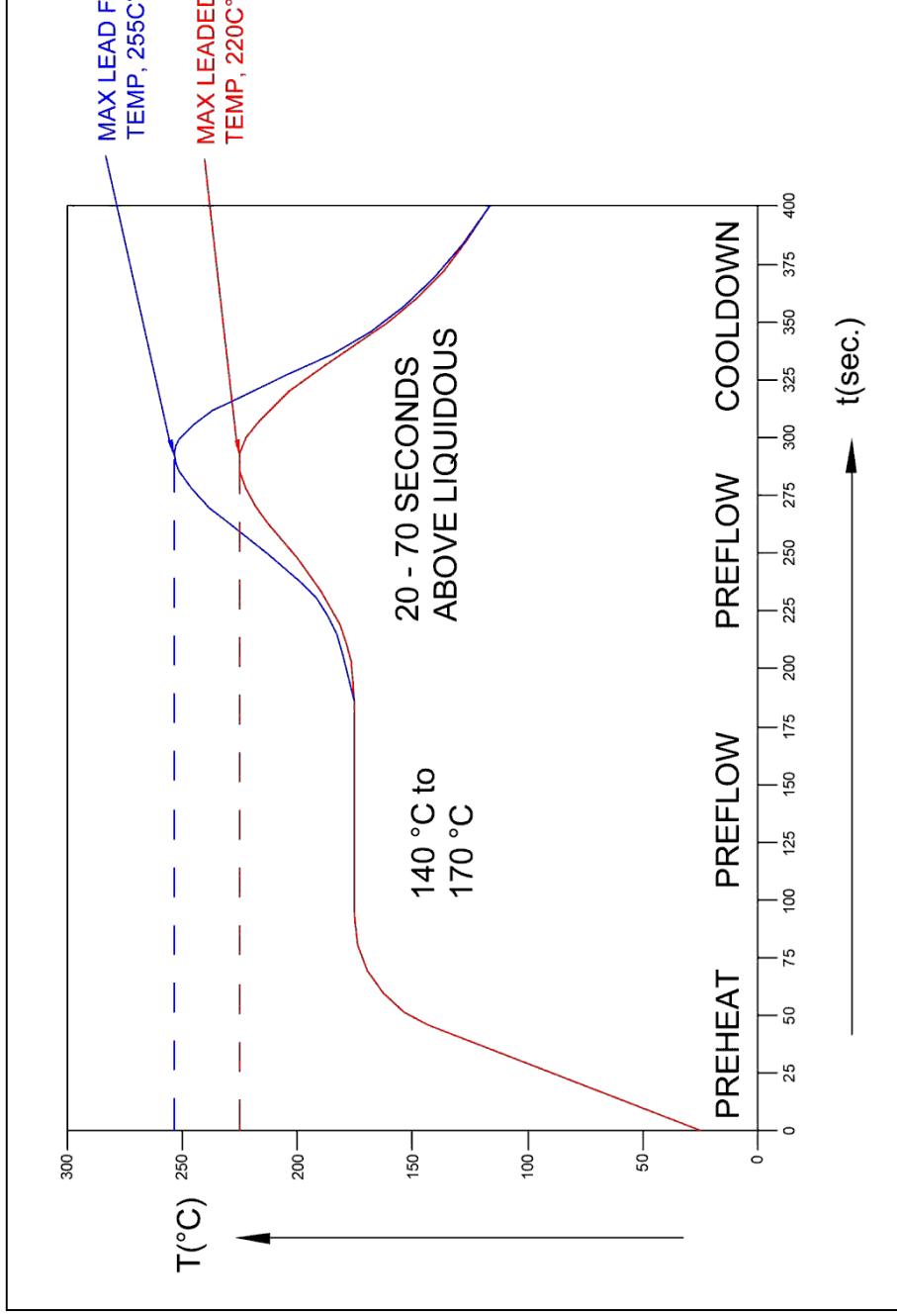
Note: 10% Duty Cycle, Pulse Width ≤ 0.1 msec for Peak I_f .

STANDARD TOLERANCES (UNLESS OTHERWISE SPECIFIED)	
DECIMALS	ANGLES
.X $\pm .1$	X°
.XX $\pm .02$	
.XXX $\pm .010$	DATE: 03/1
DESIGNED: A. Wright	CHECKED: B. Oliver
DATE: 03/1	DATE: 03/1

REV.

SEE SHEET #1

Recommended Reflow Soldering Profile



STANDARD TOLERAN
(UNLESS OTHERWISE SPECI

DECIMALS ANGU

.X ±.1 X°

.XX ±.02

.XXX ±.010

DESIGNED: **A. Wright**

CHECKED: **B. Oliver**

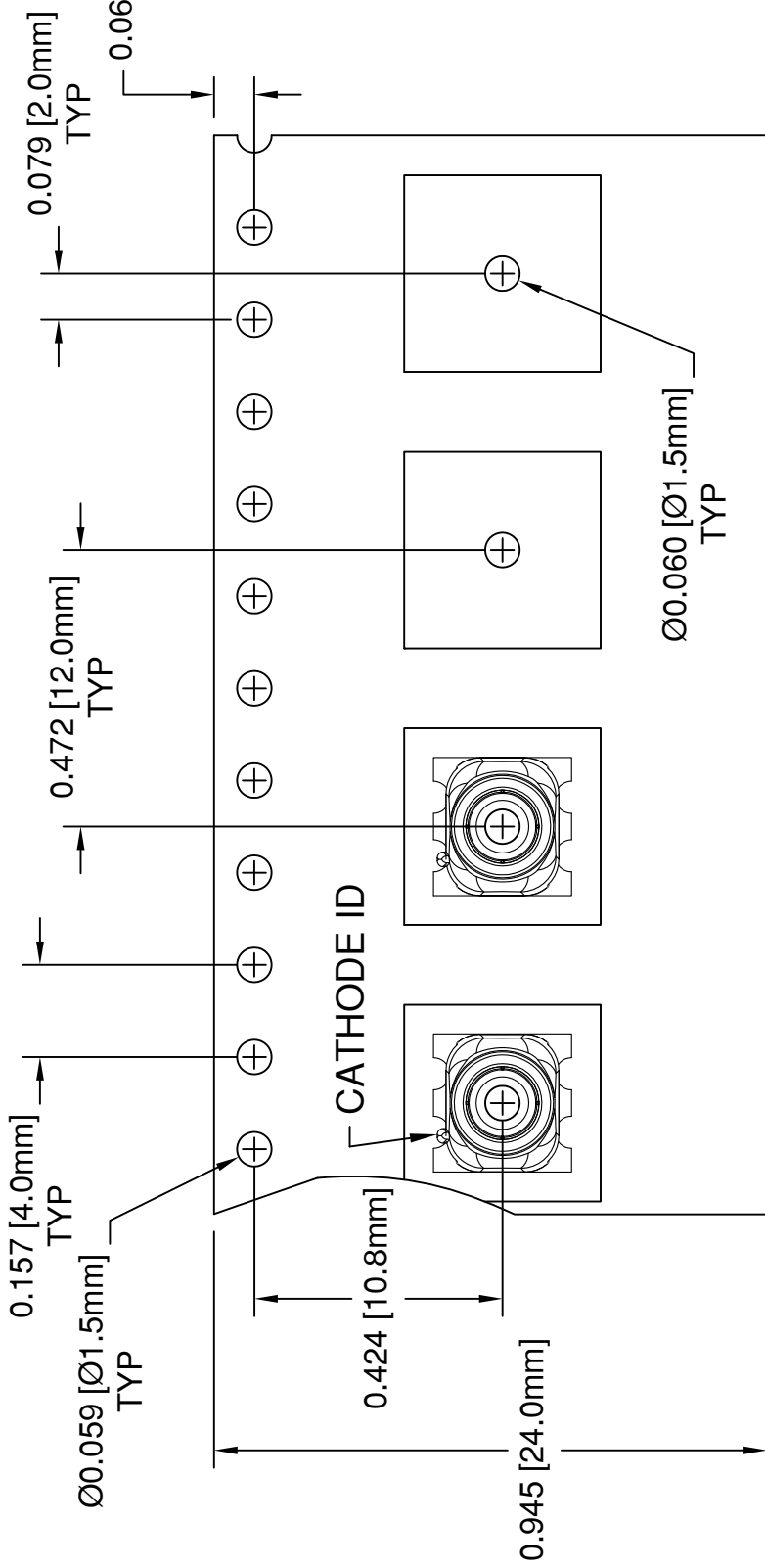
DATE: **03/1**

DATE: **03/1**

NOTE:

1. Do not clean after soldering. Only use no-clean solder paste.

REV.	SEE SHEET #1



STANDARD TOLERANCES (UNLESS OTHERWISE SPECIFIED)	
DECIMALS	ANGLES
.X ±.1	X°
.XX ±.02	
.XXX ±.010	
DESIGNED BY:	DATE: 03/11
CHECKED BY:	DATE: 03/11
A. Wright	
B. Oliver	

- NOTES:
1. 500 pcs PER REEL
 2. UNLESS OTHERWISE SPECIFIED, PACKAGING TO COMPLY WITH EIA-481-D
 3. MOISTURE SENSITIVITY LEVEL: 4

Looking for pricing, stock, or lifecycle information?

Click below to explore more details on WIN SOURCE:

 [View SMTV01-G48 on WIN SOURCE](#)

 [Bivar Inc. Information](#)

Optimize Your Supply Chain with WIN SOURCE Solutions

-  Global Sourcing Solution
-  Obsolete Management
-  Cost Control Management
-  Shortage Management
-  Alternative Solution
-  Excess Inventory Management