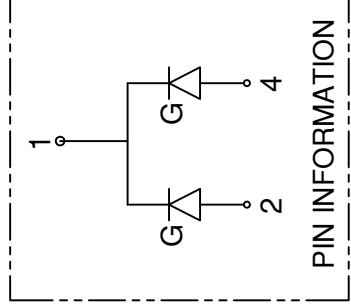
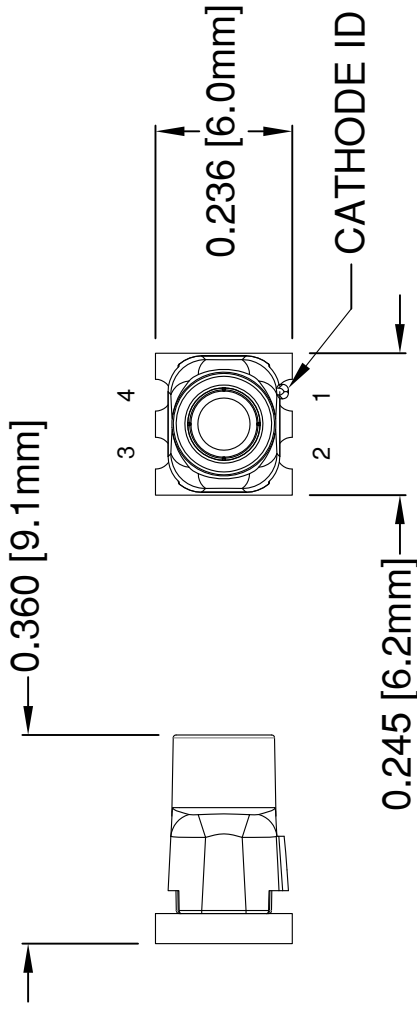




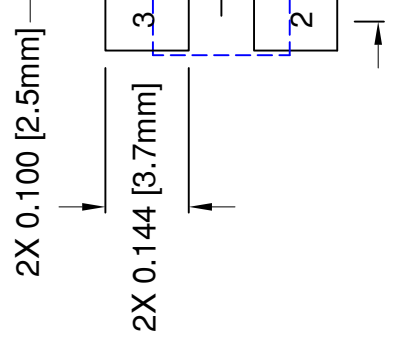
**THE DATASHEET OF  
SMTV01-G27**



REV.	
B	Engineering Release
C	Revised Side View, S
D	Corrected Typo in Re



**RECOMMENDED S**



**ABSOLUTE MAXIMUM RATINGS at Ta=25°C**

REVERSE VOLTAGE	5V
REVERSE CURRENT	100µA
OPERATING TEMPERATURE RANGE	-35°C - 85°C
STORAGE TEMPERATURE	-35°C - 85°C
MAX SOLDERING TEMPERATURE	260°C FOR 3 SECONDS

STANDARD TOLERANCES (UNLESS OTHERWISE SPECIFIED)

DECIMALS	ANGLES
.X ±.1	X°
.XX ±.02	
.XXX ±.010	


DESIGNED: **A. Wright** DATE: **03/11**  
 CHECKED: **B. Oliver** DATE: **03/11**

- NOTES:
- DERATING OF FORWARD CURRENT PER SEGMENT, 0.30mA/°C at T ≥ 25°C
  - ACCEPTS BIVAR FLEXIBLE LIGHT PIPE STYLE FLPS2031

REV.	SEE SHEET #1

Part Number	Chip				Absolute Maximum Ratings Per Segment			Elec @ V [V]
	Emitted Color	$\lambda_D$ [nm]			$P_d$ [mW]	$I_f$ [mA]	Peak $I_f$ [mA]	
		MIN	TYP	MAX				
SMTV01-G27	GREEN	510	515	520	100	25	100	MIN TYP 3.
SMTV01-G48					100	25	100	

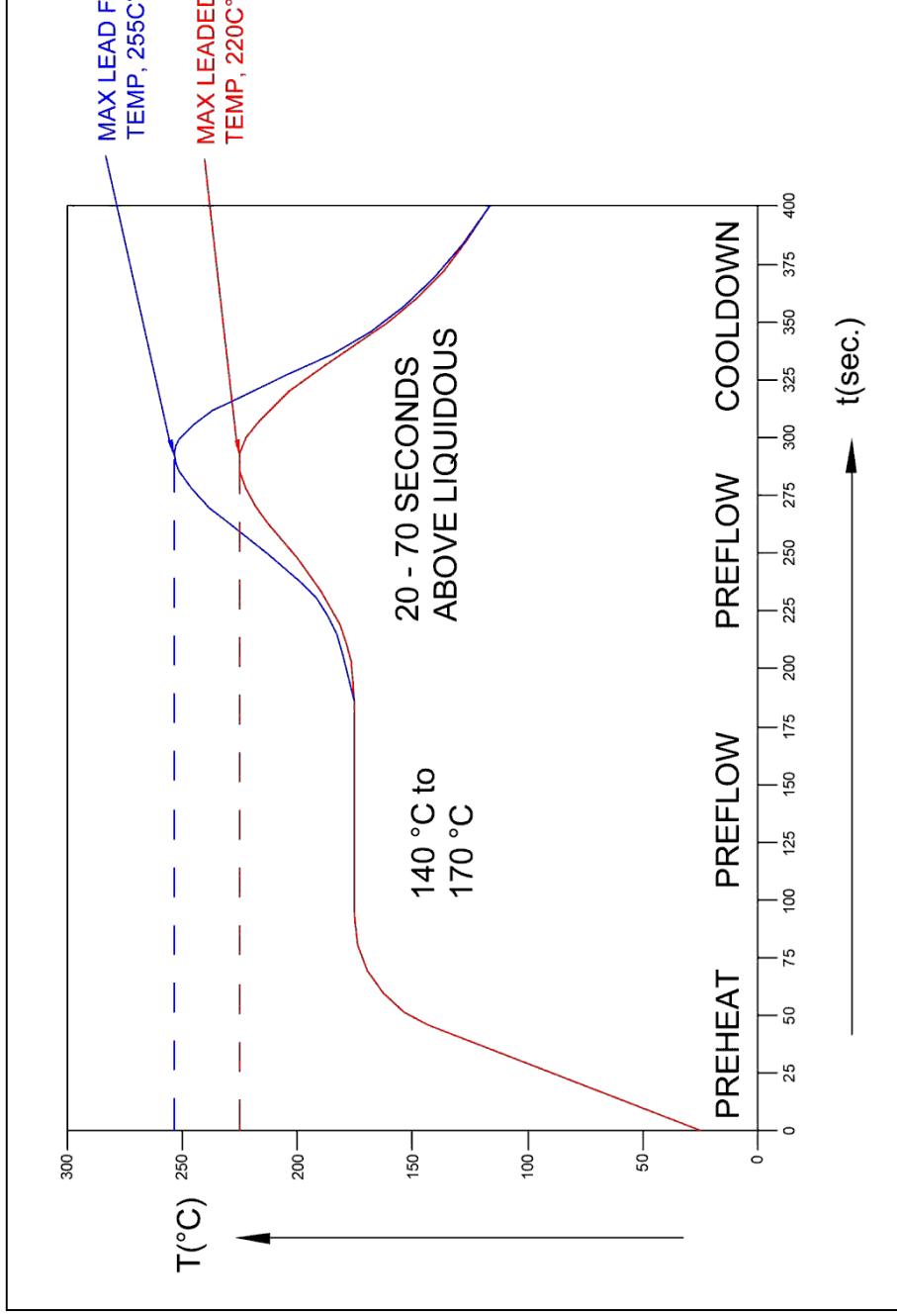
Note: 10% Duty Cycle, Pulse Width  $\leq 0.1$ msec for Peak  $I_f$ .

STANDARD TOLERANCES (UNLESS OTHERWISE SPECIFIED)	
DECIMALS	ANGULAR
.X $\pm .1$	X°
.XX $\pm .02$	
.XXX $\pm .010$	DATE: <b>03/1</b>
DESIGNED: <b>A. Wright</b>	CHECKED: <b>B. Oliver</b>
DATE: <b>03/1</b>	DATE: <b>03/1</b>

REV.

SEE SHEET #1

# Recommended Reflow Soldering Profile



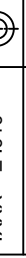
STANDARD TOLERAN  
(UNLESS OTHERWISE SPECI

DECIMALS    ANGU

.X    ±.1    X°

.XX    ±.02

.XXX    ±.010



DESIGNED:    DATE:    03/1

CHECKED:    DATE:    03/1

**NOTE:**  
1. Do not clean after soldering. Only use no-clean solder paste.



## Looking for pricing, stock, or lifecycle information?

Click below to explore more details on WIN SOURCE:

 [View SMTV01-G27 on WIN SOURCE](#)

 [Bivar Inc. Information](#)

## Optimize Your Supply Chain with WIN SOURCE Solutions

-  Global Sourcing Solution
-  Obsolete Management
-  Cost Control Management
-  Shortage Management
-  Alternative Solution
-  Excess Inventory Management