

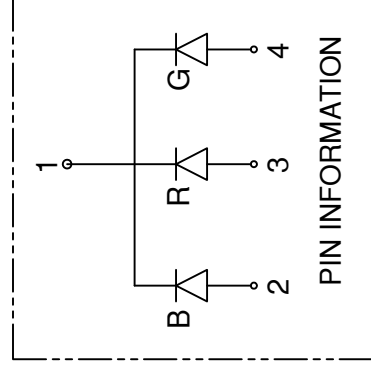
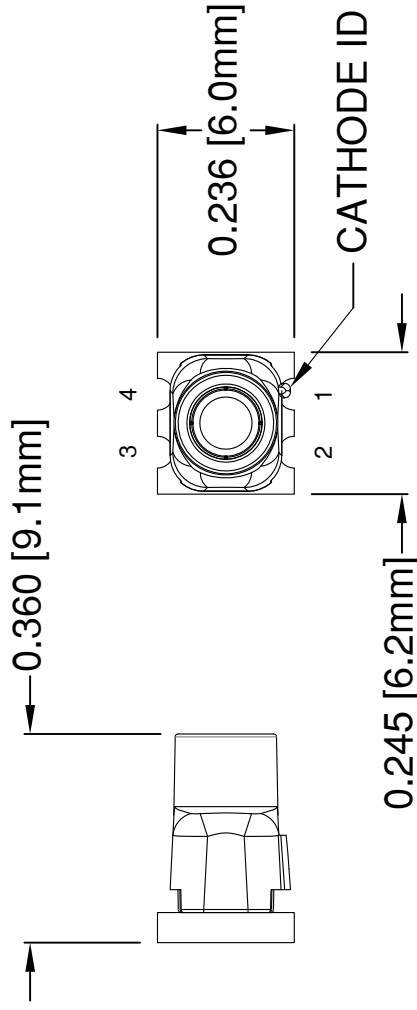
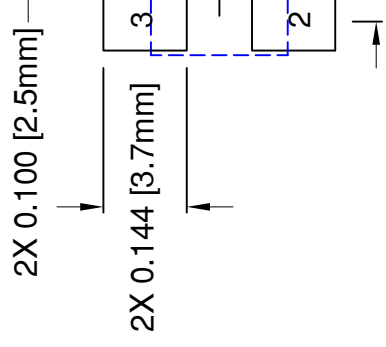


**THE DATASHEET OF
SMTV01-R15G15B09**



REV.

B	Engineering Release
C	Revised Side View, S
D	Corrected Typo in Re

**RECOMMENDED S****ABSOLUTE MAXIMUM RATINGS at Ta=25°C**

REVERSE VOLTAGE	5V
REVERSE CURRENT	100µA
OPERATING TEMPERATURE RANGE	-35°C - 85°C
STORAGE TEMPERATURE	-35°C - 85°C
MAX SOLDERING TEMPERATURE	260°C FOR 3 SECONDS

STANDARD TOLERANCES
(UNLESS OTHERWISE SPECIFIED)

DECIMALS	ANGLES
.X ±.1	X°
.XX ±.02	
.XXX ±.010	



DESIGNED:	DATE:
A. Wright	03/11
CHECKED:	DATE:
B. Oliver	03/11

NOTES:

- DERATING OF FORWARD CURRENT PER SEGMENT, 0.30mA/°C at T≥25°C
- ACCEPTS BIVAR FLEXIBLE LIGHT PIPE STYLE FLPS2031

REV.	SEE SHEET #1

Part Number	Chip			Absolute Maximum Ratings Per Segment			Elec	
	Emitted Color	λ_d [nm]			P_d [mW]	I_f [mA]		Peak I_f [mA]
		MIN	TYP	MAX				
SMTV01-R15G15B09	RED	625	628	630	57.5	25	100	1.7
	GREEN	510	515	520	60	25	100	2.8
	BLUE	460	465	470	60	25	100	2.8
SMTV01-R17G33B10	RED	625	628	630	57.5	25	100	1.7
	GREEN	510	515	520	60	25	100	2.8
	BLUE	460	465	470	60	25	100	2.8


Note: 10% Duty Cycle, Pulse Width ≤ 0.1 msec for Peak I_f .

STANDARD TOLERANCES
(UNLESS OTHERWISE SPECIFIED)

	ANGU	°
	DECIMALS	X
.X		$\pm .1$
.XX		$\pm .02$
.XXX		$\pm .010$

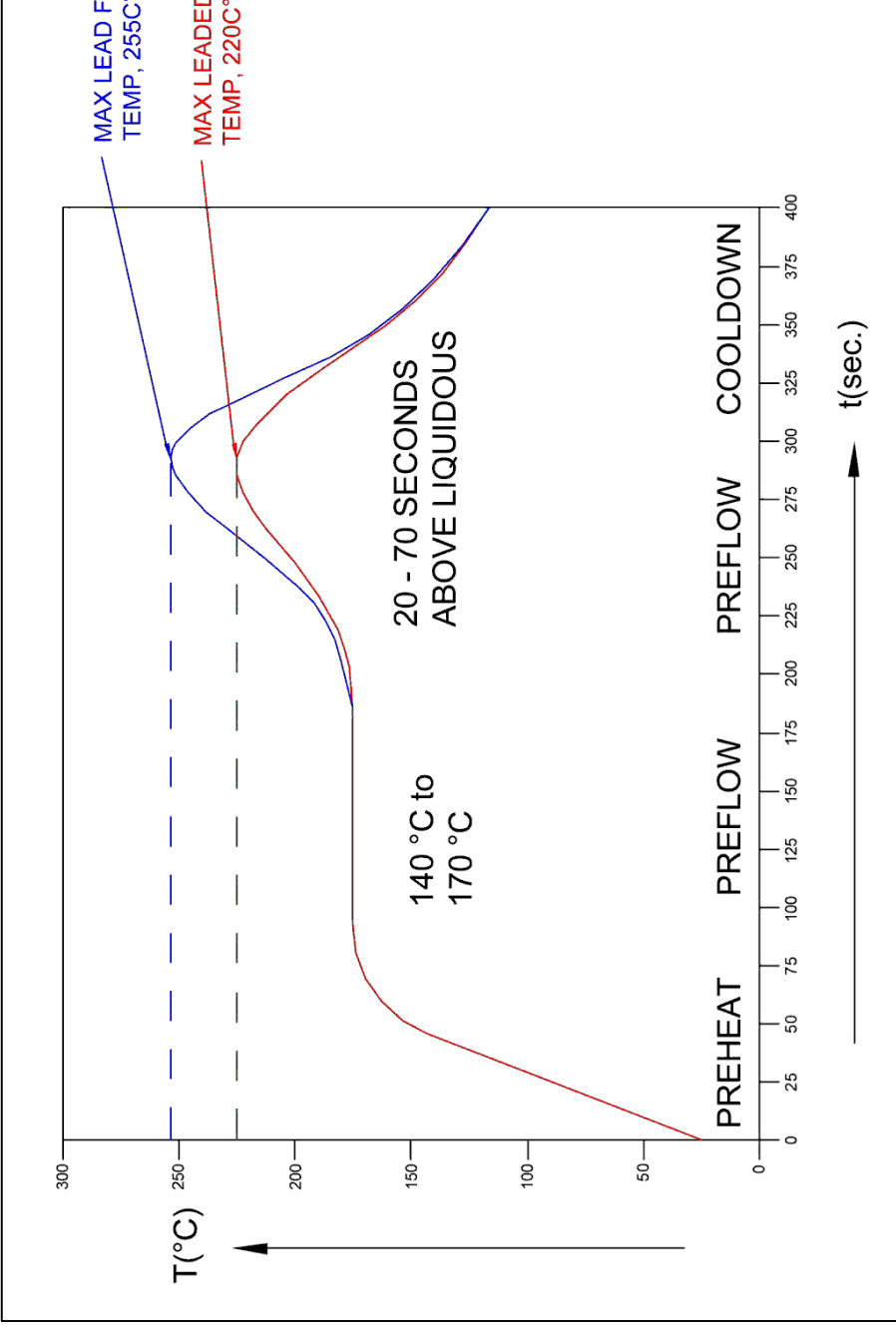
DESIGNED: **A. Wright** DATE: **03/11**

CHECKED: **B. Oliver** DATE: **03/11**



REV.	SEE SHEET #1

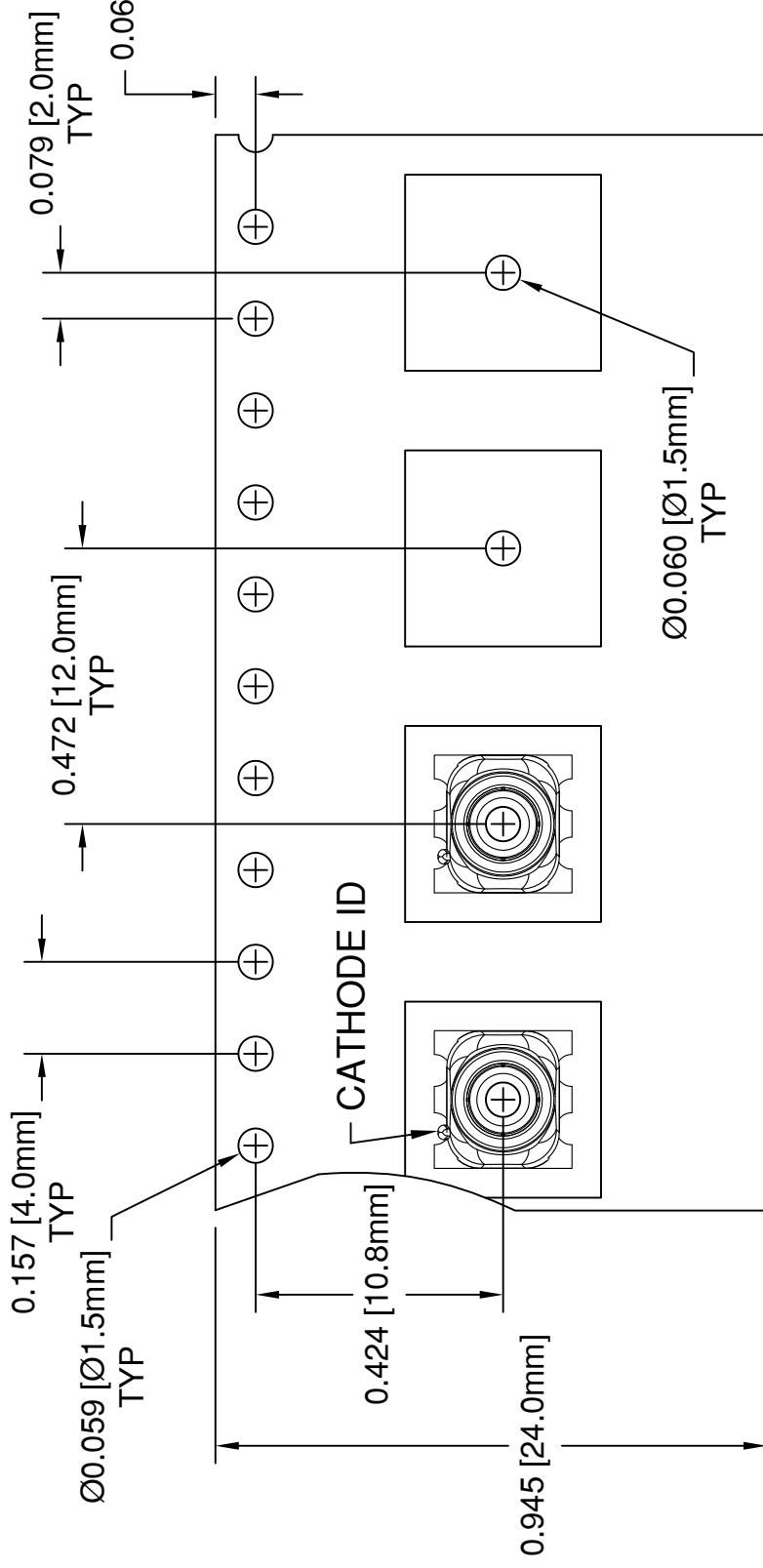
Recommended Reflow Soldering Profile



STANDARD TOLERAN (UNLESS OTHERWISE SPECI	
DECIMALS	ANGU
.X ±.1	X°
.XX ±.02	
.XXX ±.010	
DESIGNED:	DATE:
A. Wright	03/1
CHECKED:	DATE:
B. Oliver	03/1


NOTE:
1. Do not clean after soldering. Only use no-clean solder paste.

REV.	SEE SHEET #1



0.389 [9.88mm]



STANDARD TOLERANCES (UNLESS OTHERWISE SPECIFIED)	
DECIMALS	ANGLES
.X ±.1	X°
.XX ±.02	
.XXX ±.010	
DESIGNED BY:	DATE: 03/11
CHECKED BY:	DATE: 03/11
	

- NOTES:
1. 500 pcs PER REEL
 2. UNLESS OTHERWISE SPECIFIED, PACKAGING TO COMPLY WITH EIA-481-B
 3. MOISTURE SENSITIVITY LEVEL: 4

Looking for pricing, stock, or lifecycle information?

Click below to explore more details on WIN SOURCE:

 [View SMTV01-R15G15B09 on WIN SOURCE](#)

 [Bivar Inc. Information](#)

Optimize Your Supply Chain with WIN SOURCE Solutions

-  Global Sourcing Solution
-  Obsolete Management
-  Cost Control Management
-  Shortage Management
-  Alternative Solution
-  Excess Inventory Management