



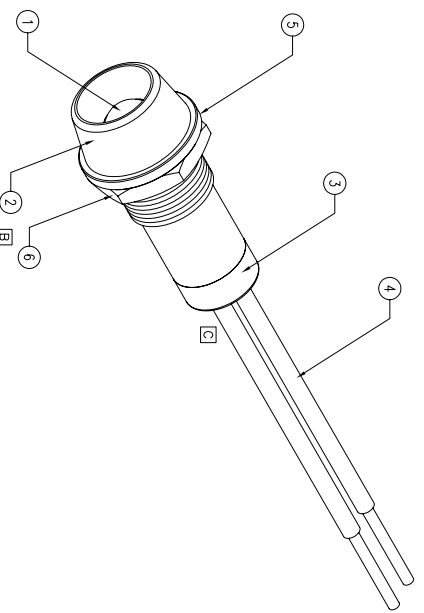
**THE DATASHEET OF  
SSI-LXR9126SGD110V**



| PART NUMBER | SSI-LXR9126SGD110V                  | REV. | D    |
|-------------|-------------------------------------|------|------|
| DATE        | E.C.N. NUMBER AND REVISION COMMENTS |      | REV. |
| 11.15.11    | E.C.N. #11769.                      |      | A    |
| 12.05.11    | E.C.N. #11775.                      |      | B    |
| 01.04.12    | E.C.N. #11793.                      |      | C    |
| 04.30.12    | E.C.N. #11818.                      |      | D    |

**A** ELECTRO-OPTICAL CHARACTERISTICS  $T_0=25^{\circ}\text{C}$   $V_F=120\text{VAC}$

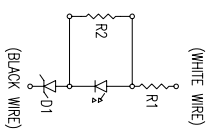
| PARAMETER                         | MIN | TYP | MAX   | UNITS              | TEST COND              |
|-----------------------------------|-----|-----|-------|--------------------|------------------------|
| PEAK WAVELENGTH                   |     | 574 |       | nm                 |                        |
| FORWARD VOLTAGE                   |     | 120 |       | V <sub>F</sub>     | VAC                    |
| AXIAL INTENSITY                   |     | 60  |       | med                | V <sub>F</sub> =120VAC |
| VIEWING ANGLE                     |     | 60  |       | 2x theta           |                        |
| OPERATING TEMP.                   | -40 |     | +85   | $^{\circ}\text{C}$ |                        |
| STORAGE TEMP.                     | -40 |     | +85   | $^{\circ}\text{C}$ |                        |
| EMITTED COLOR:                    |     |     | GREEN |                    |                        |
| EPOXY LENS FINISH: GREEN DIFFUSED |     |     |       |                    |                        |



SEE PAGE 2 FOR DETAIL

**D C B** NOTICES:

1. SSI-LX9093SLUD.
2. SSI-LXR9126.
3. SSH-LX9126BSC-110V.
4. 18AWG UL1015 STRANDED WIRE (WHITE & BLACK).
5. LXP-LX9126-WASHER.
6. LXP-LX9126-NUT.



|  |   |   |   |
|--|---|---|---|
| RN RD0D<br>80067-8976<br>947.359.2790<br>LUXEY.COM<br><b>LUXEY PHOTONICS GROUP</b> | T5mm 574nm SUPER ULTRA GREEN LED PANEL INDICATOR, GREEN DIFFUSED, 120VAC, 6" WIRE LEADS, CONNECTOR. | DATE: 09.19.11<br>PAGE: 1 OF 2<br>SCALE: NTS<br>UNIT: mm [INCH] | DRAWN BY: AB<br>CHKD BY: SS<br>APRVD BY: SS |
|--|---|---|---|

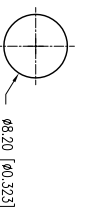
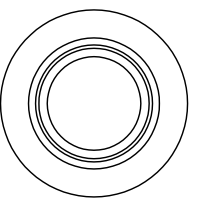
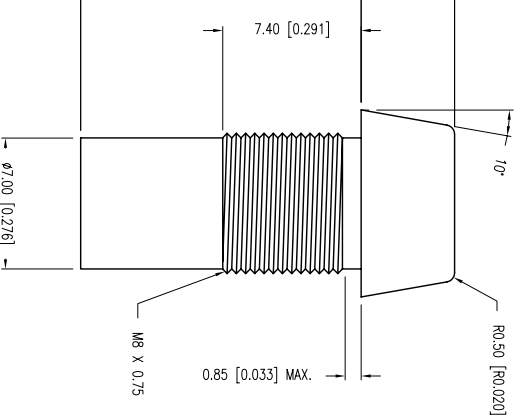
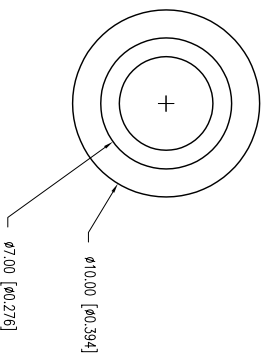
±±1 (+0.039), X.X=±0.5 (+0.020), X.XX=±0.25 (+0.010), X.XXX=±0.127 (+0.009), LEAD SIZE=±0.05 (+0.002), LEAD LENGTH=±0.75 (+0.030), MIN.= +0.00MM PRECISION MAX.= +0.00 -0.00 DECENTRAL PRECISION

CONFIDENTIAL INFORMATION  
 THE INFORMATION CONTAINED IN THIS DOCUMENT IS THE PROPERTY OF LUXEY INC. EXCEPT AS SPECIFICALLY AUTHORIZED IN WRITING BY LUXEY INC., THE HOLDER OF THIS DOCUMENT SHALL KEEP ALL INFORMATION CONTAINED HEREIN CONFIDENTIAL AND SHALL PROTECT SAME IN WHOLE OR IN PART FROM DISCLOSURE AND DISSEMINATION TO ALL THIRD PARTIES.

**UNCONTROLLED DOCUMENT**



| PART NUMBER                         |          | SSI-LXR9126SGD110V |  | REV. | D |
|-------------------------------------|----------|--------------------|--|------|---|
| E.C.N. NUMBER AND REVISION COMMENTS |          |                    |  |      |   |
| DATE                                | 11.15.11 | E.C.N. #11769.     |  |      | A |
|                                     | 12.05.11 | E.C.N. #11775.     |  |      | B |
|                                     | 01.04.12 | E.C.N. #11793.     |  |      | C |
|                                     | 04.30.12 | E.C.N. #11818.     |  |      | D |



X=±1 (+0.039), X.X=±0.5 (+0.020), X.XX=±0.25 (+0.010), X.XXX=±0.127 (+0.005), LEAD SIZE=±0.05 (+0.002), LEAD LENGTH=±0.75 (+0.030), MIN.=<sup>+0.00</sup><sub>-0.00</sub> DECMAL PRECISION MAX.=<sup>+0.00</sup><sub>-0.00</sub> DECMAL PRECISION  
 ENR ROAD 80067-6976  
 947.359.2790  
 J.59.6538  
 LUXEY.COM  
 /TW PHOTONICS GROUP

T5mm 574nm SUPER ULTRA GREEN LED PANEL INDICATOR, GREEN DIFFUSED, 120VAC, 6" WIRE LEADS, CONNECTOR.  
 \*\*THE SPECIFICATIONS MAY CHANGE AT ANY TIME WITHOUT NOTICE DUE TO NEW MATERIALS OR PRODUCT IMPROVEMENT\*\*  
 CONFIDENTIAL INFORMATION  
 THE INFORMATION CONTAINED IN THIS DOCUMENT IS THE PROPERTY OF LUXEY INC. EXCEPT AS SPECIFICALLY AUTHORIZED IN WRITING BY LUXEY INC., THE HOLDER OF THIS DOCUMENT SHALL KEEP ALL INFORMATION CONTAINED HEREIN CONFIDENTIAL AND SHALL PROTECT SAME IN WHOLE OR IN PART FROM DISCLOSURE AND DISSEMINATION TO ALL THIRD PARTIES.

UNCONTROLLED DOCUMENT  
 DATE: 09.19.11 DRAWN BY: AB  
 PAGE: 2 OF 2 CHKD BY: SS  
 SCALE: NTS  
 UNIT: mm [INCH]



## Looking for pricing, stock, or lifecycle information?

Click below to explore more details on WIN SOURCE:

- ⊖ [View SSI-LXR9126SGD110V on WIN SOURCE](#)
- ⊖ [Lumex Opto/Components Inc. Information](#)

## Optimize Your Supply Chain with WIN SOURCE Solutions

- ✓ Global Sourcing Solution
- ✓ Obsolete Management
- ✓ Cost Control Management
- ✓ Shortage Management
- ✓ Alternative Solution
- ✓ Excess Inventory Management