

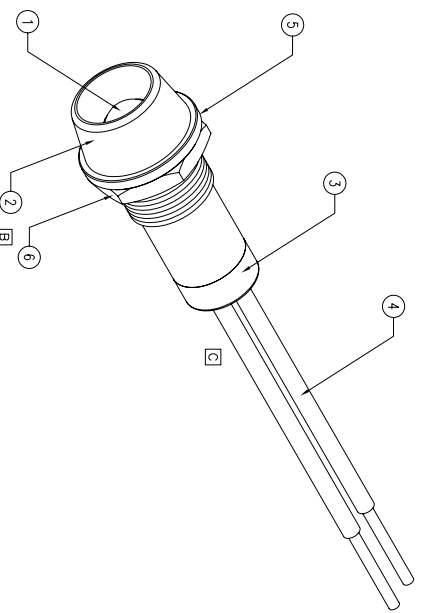


**THE DATASHEET OF
SSI-LXR9126SID110V**



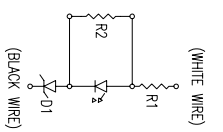
PART NUMBER	SSI-LXR9126SID110V	REV.	D
DATE	E.C.N. #11769.		REV.
11.15.11	E.C.N. #11775.		A
12.05.11	E.C.N. #11793.		B
01.04.12	E.C.N. #11818.		C
04.30.12			D

PARAMETER	MIN	TYP	MAX	UNITS	TEST COND
PEAK WAVELENGTH		636		nm	
FORWARD VOLTAGE		120		Vf	VAC
AXIAL INTENSITY		100		med	Vf=120VAC
VIEWING ANGLE		60		2x theta	
OPERATING TEMP.	-40		+85	°C	
STORAGE TEMP.	-40		+85	°C	
EMITTED COLOR:	RED				
EPOXY LENS FINISH:	RED DIFFUSED				



D C B NOTIS:

1. SSI-LX50Q3SID.
2. SSI-LX89126.
3. SSH-LX9126BSC-110V.
4. 18AWG UL1015 STRANDED WIRE (WHITE & BLACK).
5. LXP-LX9126-WASHER.
6. LXP-LX9126-NUT.



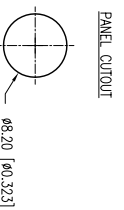
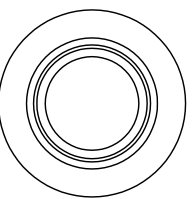
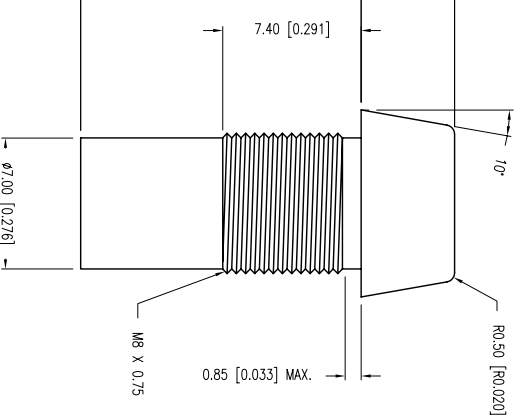
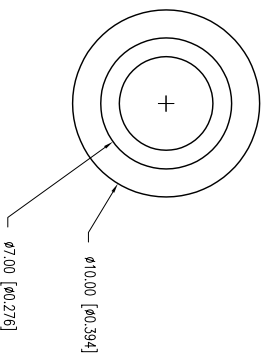
EN ROAD
80067-6976
947.359.2790
.359.6538
LUXEY.COM
LUXEY PHOTONICS GROUP

T5mm 636nm SUPER HIGH INTENSITY RED LED PANEL INDICATOR, RED DIFFUSED, 120VAC, 6" WIRE LEADS.
THE SPECIFICATIONS MAY CHANGE AT ANY TIME WITHOUT NOTICE DUE TO NEW MATERIALS OR PRODUCT IMPROVEMENT
CONFIDENTIAL INFORMATION
THE INFORMATION CONTAINED IN THIS DOCUMENT IS THE PROPERTY OF LUXEY INC. EXCEPT AS SPECIFICALLY AUTHORIZED IN WRITING BY LUXEY INC., THE HOLDER OF THIS DOCUMENT SHALL KEEP ALL INFORMATION CONTAINED HEREIN CONFIDENTIAL AND SHALL PROTECT SAME IN WHOLE OR IN PART FROM DISCLOSURE AND DISSEMINATION TO ALL THIRD PARTIES.

UNCONTROLLED DOCUMENT
DATE: 09.19.11 DRAWN BY: AB
PAGE: 1 OF 2 CHKD BY: SS
SCALE: NTS APRVD BY: SS
UNIT: mm [INCH]



PART NUMBER		SSI-LXR9126SID110V		REV.	D
E.C.N. NUMBER AND REVISION COMMENTS					
DATE	11.15.11	E.C.N.	#11769.		REV. A
	12.05.11	E.C.N.	#11775.		B
	01.04.12	E.C.N.	#11793.		C
	04.30.12	E.C.N.	#11818.		D



EN ROAD: X±1 (+0.039), X-X±0.5 (+0.020), XX±0.25 (+0.010), XXX±0.127 (+0.005), LEAD SIZE=±0.05 (+0.002), LEAD LENGTH=±0.75 (+0.030), MIN= -0.00, MAX= +0.00, DECIMAL PRECISION
 80067-8976
 947.359.2790
 3.59.6538
 LUXEY.COM
 /TW PHOTONICS GROUP

75mm 636nm SUPER HIGH INTENSITY RED LED PANEL INDICATOR, RED DEFUSED, 120VAC, 6" WIRE LEADS.
 THE SPECIFICATIONS MAY CHANGE AT ANY TIME WITHOUT NOTICE DUE TO NEW MATERIALS OR PRODUCT IMPROVEMENT

UNCONTROLLED DOCUMENT
 DATE: 09.19.11 DRAWN BY: AB
 PAGE: 2 OF 2 CHKD BY: SS
 SCALE: NTS APRVD BY: SS
 UNIT: mm [INCH]

THE INFORMATION CONTAINED IN THIS DOCUMENT IS THE PROPERTY OF LUXEY INC. EXCEPT AS SPECIFICALLY AUTHORIZED IN WRITING BY LUXEY INC., THE HOLDER OF THIS DOCUMENT SHALL
 CONFIDENTIAL INFORMATION
 KEEP ALL INFORMATION CONTAINED HEREIN CONFIDENTIAL AND SHALL PROTECT SAME IN WHOLE OR IN PART FROM DISCLOSURE AND DISSEMINATION TO ALL THIRD PARTIES.



Looking for pricing, stock, or lifecycle information?

Click below to explore more details on WIN SOURCE:

- ⊖ [View SSI-LXR9126SID110V on WIN SOURCE](#)
- ⊖ [Lumex Opto/Components Inc. Information](#)

Optimize Your Supply Chain with WIN SOURCE Solutions

- ✓ Global Sourcing Solution
- ✓ Obsolete Management
- ✓ Cost Control Management
- ✓ Shortage Management
- ✓ Alternative Solution
- ✓ Excess Inventory Management