



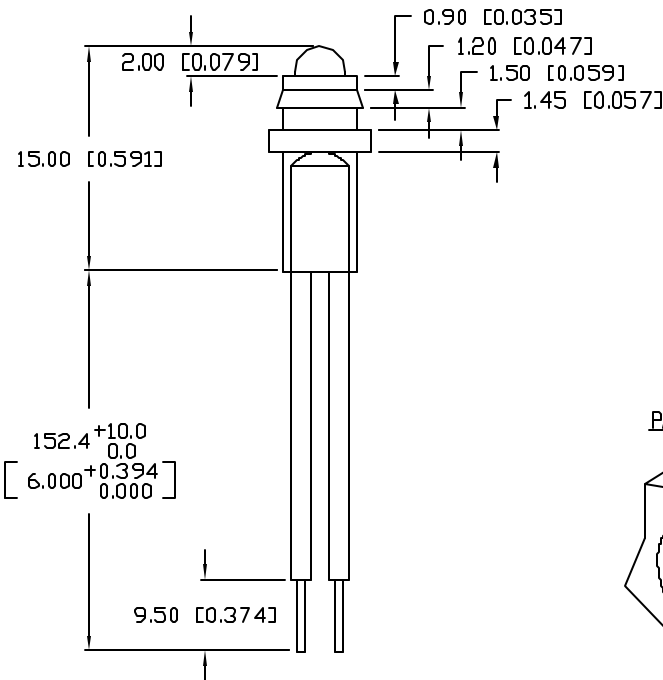
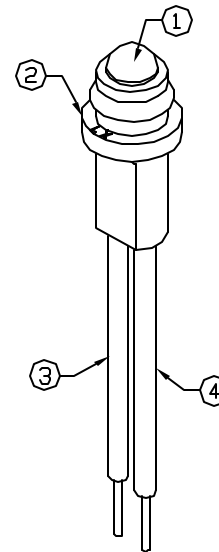
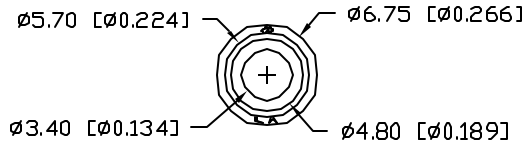
**THE DATASHEET OF
SSI-RM3091IGW-150**



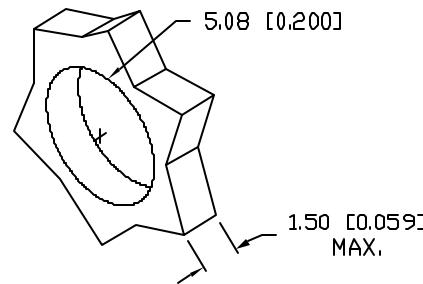
UNCONTROLLED DOCUMENT

PART NUMBER
SSI-RM3091IGW-150

REV.



PANEL CUTOUT



ELECTRO-OPTICAL CHARACTERISTICS $T_A=25^{\circ}\text{C}$ $I_f=20\text{mA}$

| PARAMETER | MIN | TYP | MAX | UNITS | TEST COND |
|-----------------------|----------------------|-------------|---------|----------|----------------------|
| PEAK WAVELENGTH | | 635 (RED) | | nm | |
| | | 565 (GREEN) | | nm | |
| FORWARD VOLTAGE (R/G) | | 2.0/2.2 | 2.5/2.6 | V_f | |
| REVERSE VOLTAGE | 5.0 | | | V_r | $I_r=100\mu\text{A}$ |
| AXIAL INTENSITY (R/G) | | 30/20 | | mcd | $I_f=20\text{mA}$ |
| VIEWING ANGLE | | 60 | | 2x theta | |
| EMITTED COLOR: | RED/GREEN | | | | |
| EPOXY LENS FINISH: | MILKY WHITE DIFFUSED | | | | |

LIMITS OF SAFE OPERATION AT 25°C

| PARAMETER | COLORS | MAX | UNITS |
|----------------------------------|--------|------------|------------------------|
| PEAK FORWARD CURRENT* | | 150 | mA |
| STEADY CURRENT | (R/G) | 30/25 | mA |
| POWER DISSIPATION | | 105 | mW |
| DERATE FROM 25°C | | -1.8 | mW/ $^{\circ}\text{C}$ |
| OPERATING, STORAGE TEMP. | | -40 TO +85 | $^{\circ}\text{C}$ |
| SOLDERING TEMP. | | +260 | $^{\circ}\text{C}$ |
| 2.0mm FROM BODY | | | 3 SEC. MAX |

* $t < 10\mu\text{s}$

NOTES:

- SSL-LX306F4IGW, BICOLOR LED.
- SSH-RM3091, BLACK RUBBER HOUSING.
- RED ANODE LEAD: LXP-WST26RDT0C, 26 AWG STRANDED, RED INSULATION, CUT 160mm LONG, STRIP 2mm & 9.5mm.
- GREEN ANODE LEAD: LXP-WST26BLT0C, 26 AWG STRANDED, BLACK INSULATION, CUT 160mm LONG, STRIP 2mm & 9.5mm.
- CRIMP OR SOLDER WIRE LEADS TO LED LEADS.

UNCONTROLLED DOCUMENT

*UNLESS OTHERWISE SPECIFIED TOLERANCES PER DECIMAL PRECISION ARE: X=±1 (±0.039), XX=±0.5 (±0.020), XXX=±0.25 (±0.010), XXXX=±0.127 (±0.005). LEAD SIZE=±0.05 (±0.002), LEAD LENGTH=±0.75 (±0.030), MIN.=^{+0.00}/_{-0.00} DECIMAL PRECISION, MAX.=^{+0.00}/_{-0.00} DECIMAL PRECISION

REV.

PART NUMBER

SSI-RM3091IGW-150

CONFIDENTIAL INFORMATION

THE INFORMATION CONTAINED IN THIS DOCUMENT IS THE PROPERTY OF LUMEX INC. EXCEPT AS SPECIFICALLY AUTHORIZED IN WRITING BY LUMEX INC, THE HOLDER OF THIS DOCUMENT SHALL KEEP ALL INFORMATION CONTAINED HEREIN CONFIDENTIAL AND SHALL PROTECT SAME IN WHOLE OR IN PART FROM DISCLOSURE AND DISSEMINATION TO ALL THIRD PARTIES.

RELIABILITY NOTE

OUR MANY YEARS OF EXPERIENCE DATA ACCUMULATION INDICATE THAT SOLDER HEAT IS A MAJOR CAUSE OF EARLY AND FUTURE FAILURE. PLEASE PAY ATTENTION TO YOUR SOLDERING PROCESS.



290 E. HELEN ROAD
PALATINE, IL 60067-6976
PHONE: +1.847.359.2790
US WEB: www.lumex.com
TW WEB: www.lumex.com.tw

T-3mm RED/GREEN BICOLOR LED PANEL INDICATOR,
MILKY WHITE DIFFUSED LENS, 6" WIRE LEADS.

| | | | |
|-----------------|-------------|--------------|---------------|
| DRAWN BY: GT | CHECKED BY: | APPROVED BY: | DATE: 7.17.02 |
| | | | PAGE: 1 OF 1 |
| | | | SCALE: N/A |

Looking for pricing, stock, or lifecycle information?

Click below to explore more details on WIN SOURCE:

- ⊖ [View SSI-RM3091IGW-150 on WIN SOURCE](#)
- ⊖ [Lumex Opto/Components Inc. Information](#)

Optimize Your Supply Chain with WIN SOURCE Solutions

- ✓ Global Sourcing Solution
- ✓ Obsolete Management
- ✓ Cost Control Management
- ✓ Shortage Management
- ✓ Alternative Solution
- ✓ Excess Inventory Management