



**THE DATASHEET OF
SSI-LXR4815HGW-150**



PART NUMBER	SSI-LXR4815HGW-150	REV.	E
DATE	E.C.N. NUMBER AND REVISION COMMENTS		
10.27.94	REDRAWN, UPDATED SAFE OPER. SPECS.		
11.17.94	CORRECTED WIRE STRIP LENGTH.		
10.30.00	E.C.N. #10674.		B
01.10.02	E.C.N. #10BRDR. & REDRAWN IN 3D.		C
05.15.12	E.C.N. #10BRDR. & REDRAWN.		D
			E

ELECTRO-OPTICAL CHARACTERISTICS $T_a=25^{\circ}\text{C}$ $V_f=20\text{mA}$

PARAMETER	MIN	TYP	MAX	UNITS	TEST COND
PEAK WAVELENGTH	(R/G)	700/565		nm	
FORWARD VOLTAGE	(R/G)	2.0/2.2	2.5/2.6	V _f	$I_f=100\mu\text{A}$
REVERSE VOLTAGE	(R/G)	5.0		V _r	$V_f=20\text{mA}$
AXIAL INTENSITY		5/8		med	
VIEWING ANGLE		60		2x theta	
EMITTED COLOR:	RED/GREEN				
LENS FINISH:	MILKY WHITE DIFFUSED				

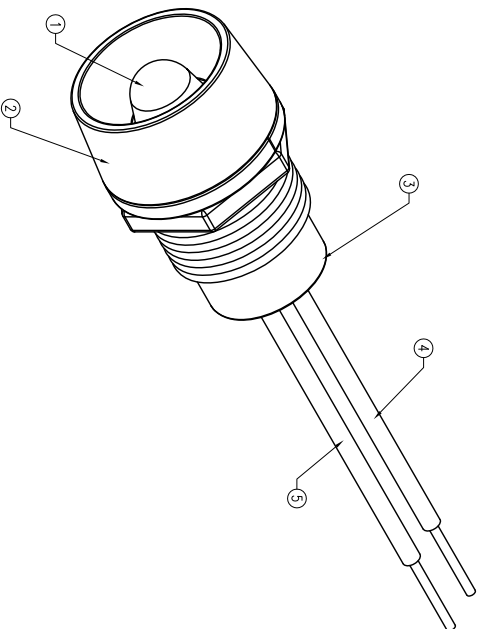
LIMITS OF SAFE OPERATION AT 25°C

PARAMETER	MAX	UNITS
PEAK FORWARD CURRENT*	150	mA
STEADY CURRENT	25	mA
POWER DISSIPATION (R/G)	120/105	mW
DERATE FROM 25°C	-1.2	mW/°C
OPERATING TEMP.	-40 TO +85	°C
STORAGE TEMP.	-40 TO +85	°C

* $t_c < 10\text{US}$

NOTES:

- SSI-LX5063HGW, RE/GREEN LED. TRIM LEADS TO 5mm.
- SSI-LXR4815, CHROME HOUSING.
- SSI-LXR4815B85, BLACK NICKEL BUSHING (NOT SEEN)
- RED ANODE LEAD: LXP-W5124R70C, RED INSULATION, 160mm LONG, STRIP 2mm & 9.5mm.
- GREEN ANODE LEAD: LXP-W5124B170C, BLACK INSULATION, 160mm LONG, STRIP 2mm & 9.5mm.



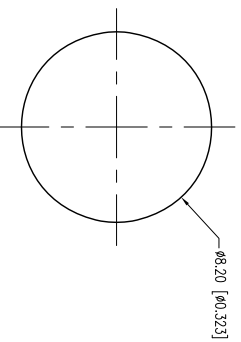
Ø10.00 [Ø0.394]

LOOK WASHER

MKP
8x0.75

[0.264]

PANEL CUTOOUT



Ø8.20 [Ø0.323]

X±E1 (+0.039), X.X±E0.5 (+0.020), X.XX±E0.25 (+0.010), X.XXX±E0.127 (+0.005), LEAD SIZE±E0.05 (+0.002), LEAD LENGTH±E0.75 (+0.030), MIN±E0.001 (-0.001) DECENTRAL PRECISION
 EN 8000
 60067-69/76
 947.359.2790
 3.59.6538
 LUXEY.COM
 /TW PHOTONICS GROUP

T-5mm 700/565nm RED/GREEN PANEL INDICATOR LED, WHITE DIFFUSED, WITH 6" WIRE LEADS.

THE SPECIFICATIONS MAY CHANGE AT ANY TIME WITHOUT NOTICE DUE TO NEW MATERIALS OR PRODUCT IMPROVEMENT

CONFIDENTIAL INFORMATION
 THE INFORMATION CONTAINED IN THIS DOCUMENT IS THE PROPERTY OF LUXEY INC. EXCEPT AS SPECIFICALLY AUTHORIZED IN WRITING BY LUXEY INC., THE HOLDER OF THIS DOCUMENT SHALL KEEP ALL INFORMATION CONTAINED HEREIN CONFIDENTIAL AND SHALL PROTECT SAME IN WHOLE OR IN PART FROM DISCLOSURE AND DISSEMINATION TO ALL THIRD PARTIES.

UNCONTROLLED DOCUMENT

DATE:	05.15.12	DRAWN BY:	AB
PAGE:	1 OF 1	CHKD BY:	KF
SCALE:	NTS	APRVD BY:	KF
UNIT:	mm [INCH]		



Looking for pricing, stock, or lifecycle information?

Click below to explore more details on WIN SOURCE:

- ⊖ [View SSI-LXR4815HGW-150 on WIN SOURCE](#)
- ⊖ [Lumex Opto/Components Inc. Information](#)

Optimize Your Supply Chain with WIN SOURCE Solutions

- ✓ Global Sourcing Solution
- ✓ Obsolete Management
- ✓ Cost Control Management
- ✓ Shortage Management
- ✓ Alternative Solution
- ✓ Excess Inventory Management