



**THE DATASHEET OF
SSI-LXH072IGW3-150**



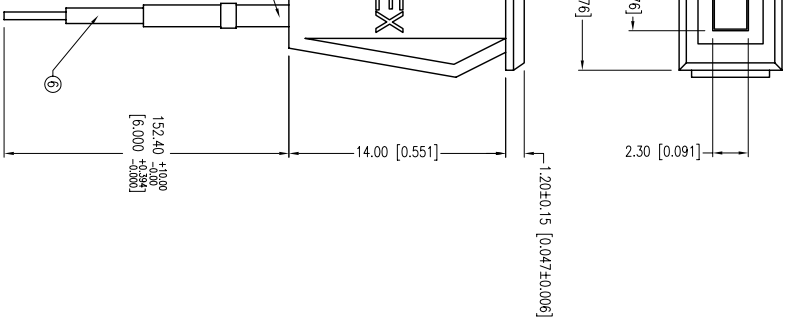
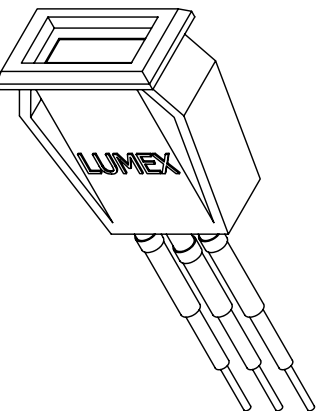
PART NUMBER	SSI-LXH072IGW3-150		REV.	A
DATE	E.C.N. NUMBER AND REVISION COMMENTS		REV.	
04.08.11	#10BRDR. & REDRAWN/11686.		REV.	A

ELECTRO-OPTICAL CHARACTERISTICS $I_A=25^\circ\text{C}$					
PARAMETER	MIN	TYPE	MAX	UNITS	TEST COND
PEAK WAVELENGTH (R/G)	635/565			nm	
FORWARD VOLTAGE (R/G)	2.0/2.2		2.5/2.6	V_f	$I_f=100\mu\text{A}$
REVERSE VOLTAGE	5.0			V_r	
AXIAL INTENSITY (R/G)		10/9		med	$I_f=20\text{mA}$
VIEWING ANGLE		110		2α theta	
EMITTED COLOR:	RED/GREEN				
EPOXY LENS FINISH:	MILKY WHITE	DIFFUSED			

LIMITS OF SAFE OPERATION AT 25°C				
PARAMETER	MAX			UNITS
PEAK FORWARD CURRENT*	150			mA
STEADY CURRENT (R/G)	30/25			mA
POWER DISSIPATION (R/G)	120/105			mW
DERATE FROM 25°C	-1.2			mW/°C
OPERATING TEMP.	-40 TO +85			°C
STORAGE TEMP.	-40 TO +85			°C
SOLDERING TEMP.	+260			°C
2.0mm FROM BODY	3			SEC. MAX
* I<10.0S				

NOTES:

1. SSH-LXH072 HOLDER, BLACK.
2. SS-LX25789GW LED, RED/GREEN BICOLOR.
3. SECURE LED TO HOLDER WITH GLUE.
4. RED ANODE LEAD: LXP-WS124R10C, TINNED OVERCOAT 24 AWG. WIRE, CUT RED INSULATION 140mm LONG, STRIP 3mm & 9.5mm.
5. COMMON CATHODE LEAD: LXP-WS124BL10C, TINNED OVERCOAT 24 AWG. WIRE, CUT BLACK INSULATION 140mm LONG, STRIP 3mm & 9.5mm.
6. GREEN ANODE LEAD: LXP-WS124GR10C, TINNED OVERCOAT 24 AWG. WIRE, CUT GREEN INSULATION 140mm LONG, STRIP 3mm & 9.5mm.
7. HEATSHRINK TUBING: LXP-HEATSHRINK-2, LENGTH 15" TYP. (3 PCS).
8. PANEL CUT OUT SIZE: 3.3mm x 11.0mm.



±0.1 (±0.039), X.X=±0.5 (±0.020), X.XX=±0.25 (±0.010), X.XXX=±0.127 (±0.005), LEAD SIZE=±0.05 (±0.002), LEAD LENGTH=±0.75 (±0.030), MIN.= +DECIMAL PRECISION MAX.= +0.00 -DECIMAL PRECISION

HELEN ROAD
E. I. L. 60067-6976
+1.847.359.2790
WWW.LUMEX.COM

2.3x7mm RECTANGULAR PANEL INDICATOR, 635nm/565nm BICOLOR, 3 LEADED, MILKY WHITE, 6" WIRE LEADS.

THE SPECIFICATIONS MAY CHANGE AT ANY TIME WITHOUT NOTICE DUE TO NEW MATERIALS OR PRODUCT IMPROVEMENT.

CONFIDENTIAL INFORMATION
THE INFORMATION CONTAINED IN THIS DOCUMENT IS THE PROPERTY OF LUMEX INC. EXCEPT AS SPECIFICALLY AUTHORIZED IN WRITING BY LUMEX INC., THE HOLDER OF THIS DOCUMENT SHALL KEEP ALL INFORMATION CONTAINED HEREIN CONFIDENTIAL AND SHALL PROTECT SAME IN WHOLE OR IN PART FROM DISCLOSURE AND DISSEMINATION TO ALL THIRD PARTIES.

UNCONTROLLED DOCUMENT

DATE:	04.08.11	DRAWN BY:	AB
PAGE:	1 OF 1	CHKD BY:	KF
SCALE:	NTS	APRVD BY:	SS
UNIT:	mm [INCH]		

Looking for pricing, stock, or lifecycle information?

Click below to explore more details on WIN SOURCE:

- ⊖ [View SSI-LXH072IGW3-150 on WIN SOURCE](#)
- ⊖ [Lumex Opto/Components Inc. Information](#)

Optimize Your Supply Chain with WIN SOURCE Solutions

- ✓ Global Sourcing Solution
- ✓ Obsolete Management
- ✓ Cost Control Management
- ✓ Shortage Management
- ✓ Alternative Solution
- ✓ Excess Inventory Management