

PART NUMBER	SSI-LXR4815GD12VWR		REV.	A
DATE	05.15.12		REV.	
E.C.N. #10BRDR. & REDRAWN.	E.C.N. NUMBER AND REVISION COMMENTS		REV.	
			REV.	A

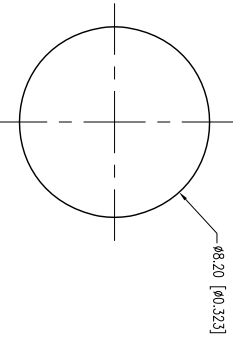
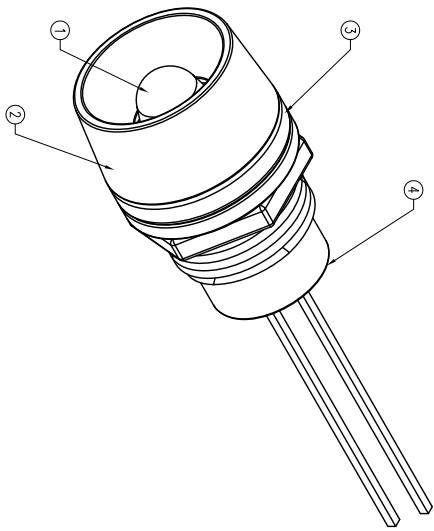
ELECTRO-OPTICAL CHARACTERISTICS I_a=25°C V_f=12V

PARAMETER	MIN	TYP	MAX	UNITS	TEST COND
PEAK WAVELENGTH		565		nm	
FORWARD VOLTAGE		12.0	14.0	V _f	I _f =100μA
REVERSE VOLTAGE	5.0			V _r	I _f =12V
AXIAL INTENSITY		20		med	
VIEWING ANGLE		60		2x theta	
EMITTED COLOR:	GREEN				
LENS FINISH:	GREEN DIFFUSED				

LIMITS OF SAFE OPERATION AT 25°C

PARAMETER	MAX	UNITS
PEAK FORWARD CURRENT	14	V
STEADY CURRENT	12	mA
POWER DISSIPATION	310	mW
DERATE FROM 25°C	-1.2	mW/°C
OPERATING TEMP.	-40 TO +85	°C
STORAGE TEMP.	-40 TO +85	°C
SOLDERING TEMP.	+280	°C
2.0mm FROM BODY	3	SEC.

- NOTES:
1. SSL-LX5063GD-12V, GREEN LED.
 2. SSI-LXR4815, CHROME HOUSING.
 3. LXP-WA-3816, RUBBER GASKET.
 4. SSH-LY44815B8G, BLACK NYLON BUSHING. (NOT SEEN)
 5. THREAD LEADS THROUGH BUSHING, INSERT INTO HOUSING. BACKFILL WITH SILICON ADHESIVE, INSERT BUSHING INTO HOUSING. GRMP INTO PLACE.
 6. WATER RESISTANT PER NEMA STANDARD 250, SECTION 6.7.



PANEL CUTOUT

ø10.00 [40.394]

LOOK WASHER

MAP
8x0.75

[0.264]

X±1 [±0.039], X.X=±0.5 [±0.020], X.XX=±0.25 [±0.010], X.XXX=±0.127 [±0.009], LEAD SIZE=±0.05 [±0.002], LEAD LENGTH=±0.75 [±0.030], MIN.= -0.00 [DECIMAL PRECISION MAX.= +0.00 [DECIMAL PRECISION]		UNCONTROLLED DOCUMENT	
ENR RD00 60067-6976 947.359.2790 LUXEY.COM /TW PHOTONICS GROUP	T-5mm 565nm GREEN PANEL INDICATOR LED, GREEN DIFFUSED LENS, SPLASH RESISTANT, 12V.	DATE: 05.15.12 PAGE: 1 OF 1 SCALE: NTS UNIT: mm [INCH]	DRAWN BY: AB CHKD BY: JD APRVD BY: JD
THE SPECIFICATIONS MAY CHANGE AT ANY TIME WITHOUT NOTICE DUE TO NEW MATERIALS OR PRODUCT IMPROVEMENT		CONFIDENTIAL INFORMATION	
THE INFORMATION CONTAINED IN THIS DOCUMENT IS THE PROPERTY OF LUXEY INC. EXCEPT AS SPECIFICALLY AUTHORIZED IN WRITING BY LUXEY INC., THE HOLDER OF THIS DOCUMENT SHALL KEEP ALL INFORMATION CONTAINED HEREIN CONFIDENTIAL AND SHALL PROTECT SAME IN WHOLE OR IN PART FROM DISCLOSURE AND DISSEMINATION TO ALL THIRD PARTIES.		©	

Looking for pricing, stock, or lifecycle information?

Click below to explore more details on WIN SOURCE:

- ⊖ [View SSI-LXR4815GD12VWR on WIN SOURCE](#)
- ⊖ [Lumex Opto/Components Inc. Information](#)

Optimize Your Supply Chain with WIN SOURCE Solutions

- ✓ Global Sourcing Solution
- ✓ Obsolete Management
- ✓ Cost Control Management
- ✓ Shortage Management
- ✓ Alternative Solution
- ✓ Excess Inventory Management