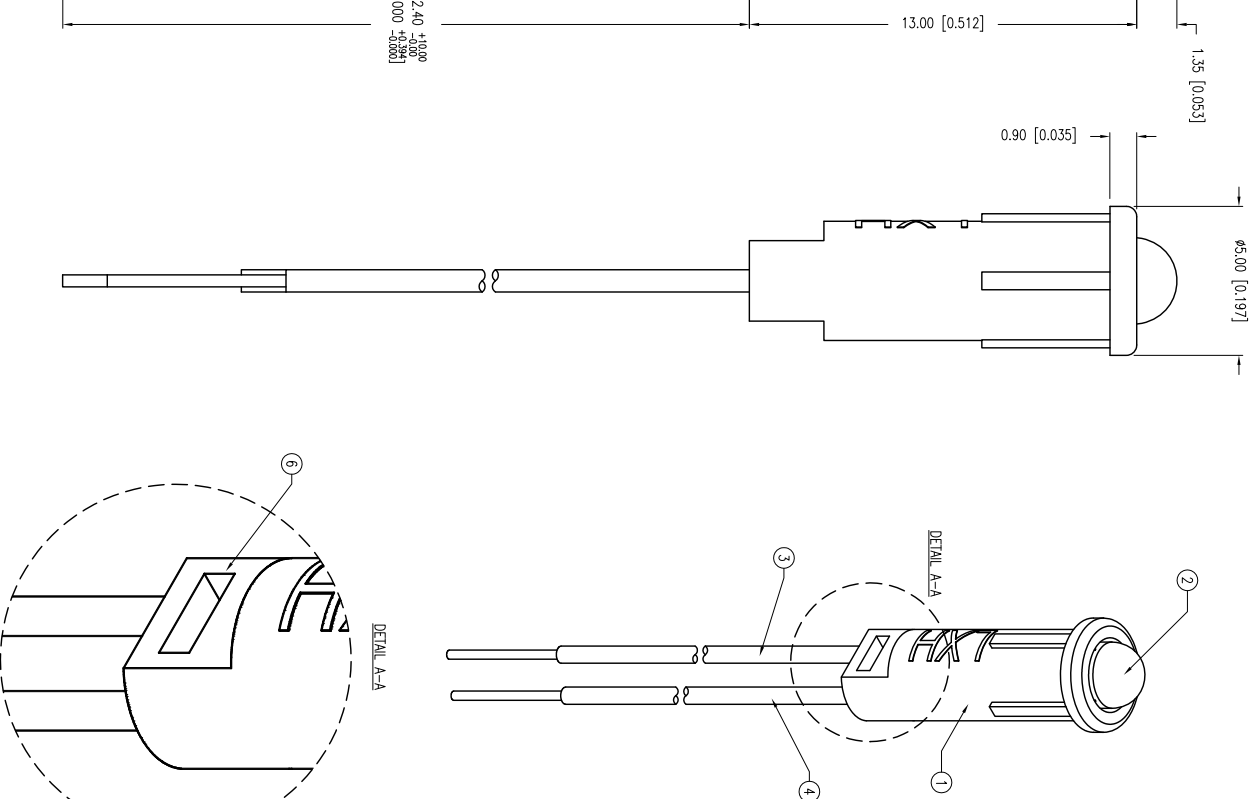




**THE DATASHEET OF
SSI-LXH312GD-150**



PART NUMBER		SSI-LXH312GD-150		REV.	D
DATE	10.05.92	E.C.N. NUMBER AND REVISION COMMENTS	ADDED TO NOTE #3.	REV.	A
	05.08.95		ADDED TO NOTE #3.		B
	06.05.96		E.C.N. #10178.		C
	07.12.01		E.C.N. #108RD.R. & REDRAWN.		D

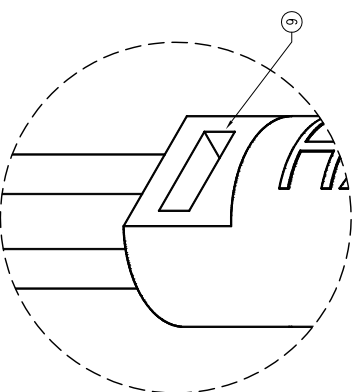


ELECTRO-OPTICAL CHARACTERISTICS $I_f=25^\circ\text{C}$		$I_f=20\text{mA}$		UNITS	TEST COND
PARAMETER	MIN	TYP	MAX		
PEAK WAVELENGTH		565		nm	
FORWARD VOLTAGE		2.1	2.6	V_f	$I_f=100\text{mA}$
REVERSE VOLTAGE	5.0			V_r	$I_f=20\text{mA}$
AXIAL INTENSITY		30		mcad	
VIEWING ANGLE		60		$2\theta_{\text{th}50}$	
EMITTED COLOR:		GREEN			
EPOXY LENS FINISH:		GREEN DIFFUSED			

LIMITS OF SAFE OPERATION AT 25°C		MAX	UNITS
PARAMETER			
PEAK FORWARD CURRENT*		150	mA
STEADY CURRENT		25	mA
POWER DISSIPATION		105	mW
DERATE FROM 25°C		-1.2	mW/°C
OPERATING TEMP.		-40 TO +85	°C
STORAGE TEMP.		-40 TO +85	°C
SOLDERING TEMP.		+260	°C
2.0mm FROM BODY			3 SEC. MAX
* I<100S			

LIMITS OF SAFE OPERATION AT 25°C		MAX	UNITS
PARAMETER			
PEAK FORWARD CURRENT*		150	mA
STEADY CURRENT		25	mA
POWER DISSIPATION		105	mW
DERATE FROM 25°C		-1.2	mW/°C
OPERATING TEMP.		-40 TO +85	°C
STORAGE TEMP.		-40 TO +85	°C
SOLDERING TEMP.		+260	°C
2.0mm FROM BODY			3 SEC. MAX
* I<100S			

- A** NOTES:
- SSH-LXH3121 HOLDER, BLACK NYLON 94-V.
 - SSL-X30446D LED, LEADS CUT TO 5mm.
 - ANODE LEAD: LYP-W57268703C, RED INSULATED LEAD.
 - CATHODE LEAD: LYP-W57268703C, BLACK INSULATED LEAD.
 - 26 AWG, CUT 158mm LONG, STRIP 3.0mm & 6.0mm.
 - MOUNTING HOLE: $\phi 0.170$ - $\phi 0.174$
 - HOLDER BASE MAY CONTAIN A MOLDING CAVITY. THE CAVITY IS COSMETIC AND DOES NOT IMPACT PART PERFORMANCE.




HELEN ROAD
E. IL 60067-6976
+1.847.359.2790
WWW.LUMEX.COM

T-3mm LED BLACK PANEL INDICATOR WITH 6" WIRE LEADS, 565nm GREEN LED, GREEN DIFFUSED LENS.
THE SPECIFICATIONS MAY CHANGE AT ANY TIME WITHOUT NOTICE DUE TO NEW MATERIALS OR PRODUCT IMPROVEMENT.
CONDENSIBLE INFORMATION
THE INFORMATION CONTAINED IN THIS DOCUMENT IS THE PROPERTY OF LUMEX INC. EXCEPT AS SPECIFICALLY AUTHORIZED IN WRITING BY LUMEX INC., THE HOLDER OF THIS DOCUMENT SHALL KEEP ALL INFORMATION CONTAINED HEREIN CONFIDENTIAL AND SHALL PROTECT SAME IN WHOLE OR IN PART FROM DISCLOSURE AND DISSEMINATION TO ALL THIRD PARTIES.

UNCONTROLLED DOCUMENT		DATE:	08.23.92	DRAWN BY:	CT
PAGE:	1 OF 1	CHKD BY:	DT		
SCALE:	NTS	APRVD BY:	DT		
UNIT:	mm [INCH]				

Looking for pricing, stock, or lifecycle information?

Click below to explore more details on WIN SOURCE:

-  [View SSI-LXH312GD-150 on WIN SOURCE](#)
-  [Lumex Opto/Components Inc. Information](#)

Optimize Your Supply Chain with WIN SOURCE Solutions

-  Global Sourcing Solution
-  Obsolete Management
-  Cost Control Management
-  Shortage Management
-  Alternative Solution
-  Excess Inventory Management