



**THE DATASHEET OF
SSI-LXR3816SGD-150**



PART NUMBER	SSI-LXR3816SGD-150		REV.	A
DATE	E.C.N. NUMBER AND REVISION COMMENTS			
09.13.11	E.C.N. #10BRDR. & REDRAWN.		REV.	A

ELECTRO-OPTICAL CHARACTERISTICS $T_a=25^{\circ}\text{C}$				
PARAMETER	MIN	TYP	MAX	UNITS TEST COND
PEAK WAVELENGTH		565		nm
FORWARD VOLTAGE		2.2	2.6	Vf If=100 μ A
REVERSE VOLTAGE	5.0			Vr If=200mA
AXIAL INTENSITY		40		cd
VIEWING ANGLE		60		2x theta
EMITTED COLOR:	GREEN			
LENS FINISH:	GREEN DIFFUSED			

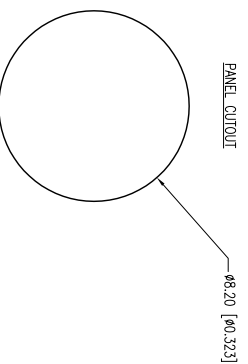
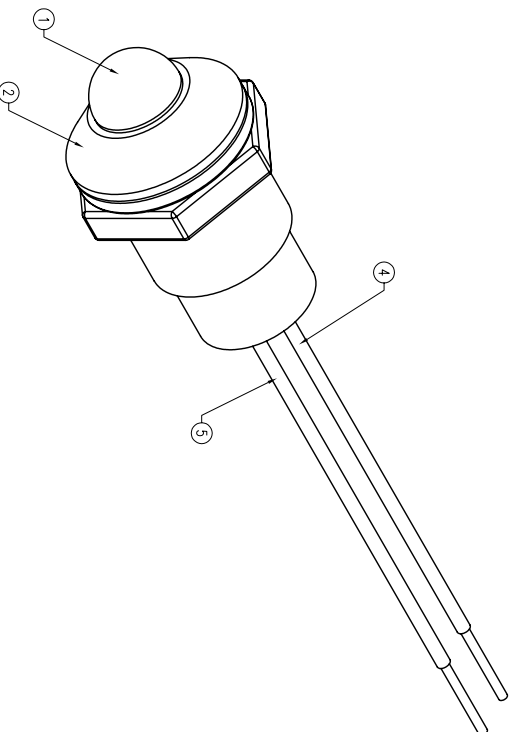
LIMITS OF SAFE OPERATION AT 25°C

PARAMETER	MAX	UNITS
PEAK FORWARD CURRENT*	150	mA
STEADY CURRENT	25	mA
POWER DISSIPATION	105	mW
DERATE FROM 25°C	-1.2	mW/°C
OPERATING TEMP.	-40 TO +85	°C
STORAGE TEMP.	-40 TO +85	°C
SOLDERING TEMP.	+260	°C
2.0mm FROM BODY	3	SEC.

* I<1095

NOTES:

- SSI-LX5093SD, GREEN LED, TRIM LEADS TO 4mm.
- SSI-LXN3816, CHROME HOUSING.
- SSI-LXH4815BSS, BUSHING (NOT SHOWN), INSERT AND CRIMP.
- ANODE LEAD: LXP-WS124K010C, 24 AWG, TINNED OVERCOAT, RED INSULATION.
- CUT 160mm LONG, STRIP BOTH ENDS 3mm & 9.5mm.
- CATHODE LEAD: LXP-WS124B110C, 24 AWG, TINNED OVERCOAT, BLACK INSULATION.
- CUT 160mm LONG, STRIP BOTH ENDS 3mm & 9.5mm.
- CRIMP WIRES TO LED LEADS.



PANEL OUTPUT

Ø8.20 [±0.323]

EN 8000
60067-6976
947.359.2790
LUXEY.COM
/TW PHOTONICS GROUP

T-5mm 565nm GREEN LED PANEL INDICATOR, SUPER GREEN DIFFUSED LENS, 6.0" WIRE LEADS.

THE SPECIFICATIONS MAY CHANGE AT ANY TIME WITHOUT NOTICE DUE TO NEW MATERIALS OR PRODUCT IMPROVEMENT.

CONFIDENTIAL INFORMATION
THE INFORMATION CONTAINED IN THIS DOCUMENT IS THE PROPERTY OF LUXEY INC. EXCEPT AS SPECIFICALLY AUTHORIZED IN WRITING BY LUXEY INC., THE HOLDER OF THIS DOCUMENT SHALL KEEP ALL INFORMATION CONTAINED HEREIN CONFIDENTIAL AND SHALL PROTECT SAME IN WHOLE OR IN PART FROM DISCLOSURE AND DISSEMINATION TO ALL THIRD PARTIES.

UNCONTROLLED DOCUMENT

DATE: 09.13.11 DRAWN BY: AB
PAGE: 1 OF 1 CHKD BY: KF
SCALE: NTS APRVD BY: KF
UNIT: mm [INCH]

Looking for pricing, stock, or lifecycle information?

Click below to explore more details on WIN SOURCE:

- ⊖ [View SSI-LXR3816SGD-150 on WIN SOURCE](#)
- ⊖ [Lumex Opto/Components Inc. Information](#)

Optimize Your Supply Chain with WIN SOURCE Solutions

- ✓ Global Sourcing Solution
- ✓ Obsolete Management
- ✓ Cost Control Management
- ✓ Shortage Management
- ✓ Alternative Solution
- ✓ Excess Inventory Management