



PART NUMBER

SSI-LXH387SUGD

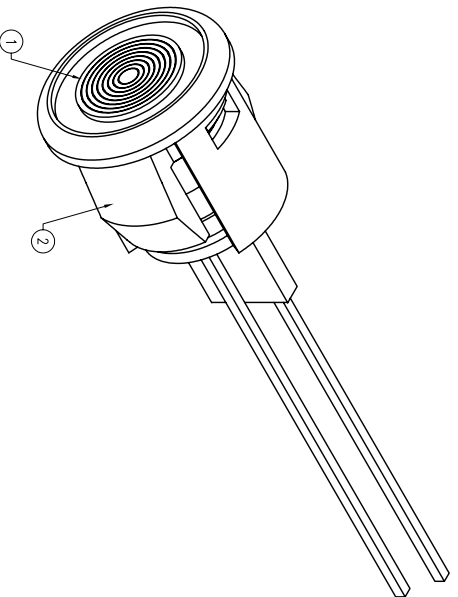
REV.

-

ø9.00 [ø0.354]

ø7.20 [ø0.283]

ø5.00 [ø0.197]



ELECTRO-OPTICAL CHARACTERISTICS $T_a=25^{\circ}\text{C}$					
PARAMETER	MIN	TYP	MAX	UNITS	UNITS
PEAK WAVELENGTH		574			nm
FORWARD VOLTAGE		2.2	2.6		V <sub>F</sub>
REVERSE VOLTAGE	5.0				V <sub>R</sub>
AXIAL INTENSITY		60			mod
VIEWING ANGLE		120			2 $\times$ theta
EMITTED COLOR:		GREEN			
EPoxy LENS FINISH:		GREEN DIFFUSED			

## LIMITS OF SAFE OPERATION AT 25°C

PARAMETER	MAX	UNITS
PEAK FORWARD CURRENT*	150	mA
STEADY CURRENT	25	mA
POWER DISSIPATION	105	mW
DERATE FROM 25°C	-1.2	mW/°C
OPERATING TEMP.	-40 TO +85	°C
STORAGE TEMP.	-40 TO +85	°C
SOLDERING TEMP.	+260	°C
2.0mm FROM BODY	3	SEC. MAX.

\* t&lt;10y5

## NOTES:

1. SSI-LX433SUGD LED.
2. HOLDER: LXP-SS1-387BSH, LXP-SS1-387BZL.
3. PANEL HOLE CUT OUT: 5/16" DIAMETER.

±1 (±0.039), X.X=±0.5 (±0.020), X.XX=±0.25 (±0.010), X.XXX=±0.127 (±0.005), LEAD SIZE=±0.05 (±0.002), LEAD LENGTH=±0.75 (±0.030), MIN.= +DECIMAL PRECISION MAX.= +0.00 -DECIMAL PRECISION

HELEN ROAD  
E. IL 60067-6976  
+1.847.359.2790  
WWW.LUMEX.COM

T-5 FRESNEL LENS PANEL INDICATOR, 574nm AllInGAP GREEN LED, GREEN DIFFUSED LENS.

\*\*THE SPECIFICATIONS MAY CHANGE AT ANY TIME WITHOUT NOTICE DUE TO NEW MATERIALS OR PRODUCT IMPROVEMENT.\*\*

CONFIDENTIAL INFORMATION

THE INFORMATION CONTAINED IN THIS DOCUMENT IS THE PROPERTY OF LUMEX INC. EXCEPT AS SPECIFICALLY AUTHORIZED IN WRITING BY LUMEX INC., THE HOLDER OF THIS DOCUMENT SHALL KEEP ALL INFORMATION CONTAINED HEREIN CONFIDENTIAL AND SHALL PROTECT SAME IN WHOLE OR IN PART FROM DISCLOSURE AND DISSEMINATION TO ALL THIRD PARTIES.

UNCONTROLLED DOCUMENT

DATE:	07.28.11	DRAWN BY:	AB
PAGE:	1 OF 1	CHKD BY:	SS
SCALE:	NTS	APRVD BY:	KF
UNIT:	mm [INCH]		



## Looking for pricing, stock, or lifecycle information?

Click below to explore more details on WIN SOURCE:

- ⊖ [View SSI-LXH387SUGD on WIN SOURCE](#)
- ⊖ [Lumex Opto/Components Inc. Information](#)

## Optimize Your Supply Chain with WIN SOURCE Solutions

- ✓ Global Sourcing Solution
- ✓ Obsolete Management
- ✓ Cost Control Management
- ✓ Shortage Management
- ✓ Alternative Solution
- ✓ Excess Inventory Management