



**THE DATASHEET OF  
SSI-LXH312GD-250**



PART NUMBER	SSI-LXH312GD-250	REV.	A
DATE	E.C.N. NUMBER AND REVISION COMMENTS	REV.	
10.04.11	E.C.N. #10BRDR.	REV.	A

ELECTRO-OPTICAL CHARACTERISTICS  $T_A=25^{\circ}\text{C}$   $I_f=20\text{mA}$

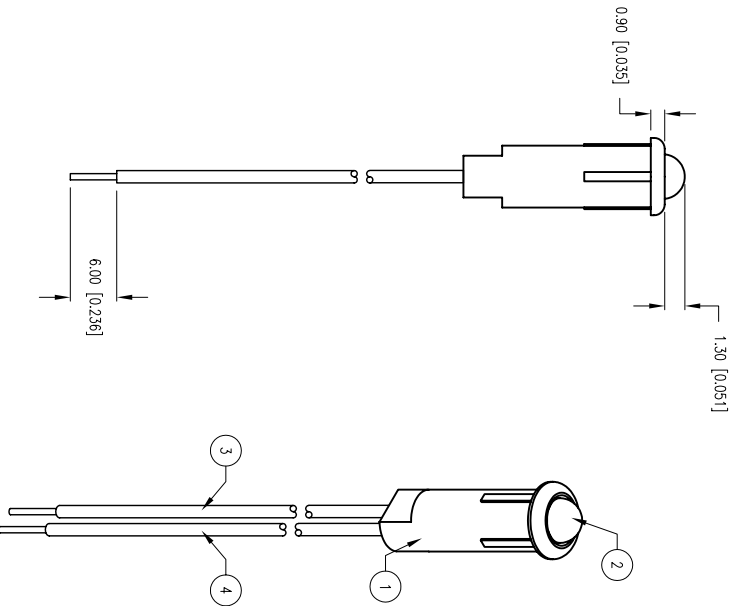
PARAMETER	MIN	TYP	MAX	UNITS	TEST COND
PEAK WAVELENGTH		565		nm	
FORWARD VOLTAGE		2.2	2.6	V <sub>f</sub>	$I_f=100\mu\text{A}$
REVERSE VOLTAGE	5.0			V <sub>r</sub>	
AXIAL INTENSITY		30		mcd	$I_f=20\text{mA}$
VIEWING ANGLE		60		$2\theta$ theta	
EMITTED COLOR:		GREEN			
EPOXY LENS FINISH:		GREEN DIFFUSED			

LIMITS OF SAFE OPERATION AT 25°C

PARAMETER	MAX	UNITS
PEAK FORWARD CURRENT*	150	mA
STEADY CURRENT	25	mA
POWER DISSIPATION	105	mW
DERATE FROM 25°C	-1.2	mW/°C
OPERATING, STORAGE TEMP.	-40 TO +85	°C
SOLDERING TEMP.	+260	°C
2.0mm FROM BODY		3 SEC. MAX
* $t < 10\mu\text{s}$		

NOTES:

- SSH-LXH3121 HOLDER, BLACK NYLON 94-V.
- SSL-LX30449 LED, LEADS CUT TO 5mm.
- ANODE LEAD: LXP-W5726ROTIC, RED INSULATED LEAD, 26 AWG, CUT 260mm LONG, STRIP 2.5mm & 6.0mm.
- CATHODE LEAD: LXP-W5726BLTIC, BLACK INSULATED LEAD, 26 AWG, CUT 260mm LONG, STRIP 2.5mm & 6.0mm.
- MOUNTING HOLE:  $\phi 0.170''-0.174''$



X±11 (+0.039), X.X±0.5 (+0.020), XXX±0.25 (+0.010), XXXX±0.127 (+0.005), LEAD SIZE=±0.05 (+0.002), LEAD LENGTH=±0.75 (+0.030), MIN= -0.001, DECIMAL PRECISION MAX.= +0.001, DECIMAL PRECISION

HELEN ROAD

E. I. L 60067-6976

+1.847.359.2790  
WWW.LUMEX.COM

T-3mm LED BLACK PANEL INDICATOR WITH 9.9" WIRE LEADS, 565nm GREEN LED, GREEN DIFFUSED LENS.

\*\*THE SPECIFICATIONS MAY CHANGE AT ANY TIME WITHOUT NOTICE DUE TO NEW MATERIALS OR PRODUCT IMPROVEMENT\*\*

CONFIDENTIAL INFORMATION  
THE INFORMATION CONTAINED IN THIS DOCUMENT IS THE PROPERTY OF LUMEX INC. EXCEPT AS SPECIFICALLY AUTHORIZED IN WRITING BY LUMEX INC., THE HOLDER OF THIS DOCUMENT SHALL KEEP ALL INFORMATION CONTAINED HEREIN CONFIDENTIAL AND SHALL PROTECT SAME IN WHOLE OR IN PART FROM DISCLOSURE AND DISSEMINATION TO ALL THIRD PARTIES.

UNCONTROLLED DOCUMENT

DATE:	10.04.11	DRAWN BY:	AB
PAGE:	1 OF 1	CHKD BY:	SS
SCALE:	NTS	APRVD BY:	KF
UNIT:	mm [INCH]		



## Looking for pricing, stock, or lifecycle information?

Click below to explore more details on WIN SOURCE:

-  [View SSI-LXH312GD-250 on WIN SOURCE](#)
-  [Lumex Opto/Components Inc. Information](#)

## Optimize Your Supply Chain with WIN SOURCE Solutions

-  Global Sourcing Solution
-  Obsolete Management
-  Cost Control Management
-  Shortage Management
-  Alternative Solution
-  Excess Inventory Management