



**THE DATASHEET OF
SSI-LXR1612GD-150**



PART NUMBER	SSI-LXR1612GD-150	REV.	E
DATE	E.C.N. NUMBER AND REVISION COMMENTS	REV.	
03.02.93	CHG'D. NOTE SIX TO SPECIFY BLACK INSUL.	A	
09.19.94	UPDATED SAFE OPER. SPECS AND NOTES.	B	
05.22.95	UPDATED DWG. & NOTES.	C	
10.16.01	E.C.N. #10BRDR. & REDRAWN IN 3D.	D	
07.14.11	E.C.N. #10BRDR. & REDRAWN.	E	

88.00 [40.315]

0 [40.280]

ELECTRO-OPTICAL CHARACTERISTICS $I_F=25mA$ $I_F=20mA$

PARAMETER	MIN	TPP	MAX	UNITS	UNITS
PEAK WAVELENGTH		565		nm	
FORWARD VOLTAGE		2.2	2.6	V _F	$I_F=100mA$
REVERSE VOLTAGE	5.0			V _R	$I_F=20mA$
ANAL INTENSITY		30		mcad	
VIEWING ANGLE		60		2x theta	
EMITTED COLOR:	GREEN				
EPOXY LENS FINISH:	GREEN DIFFUSED				

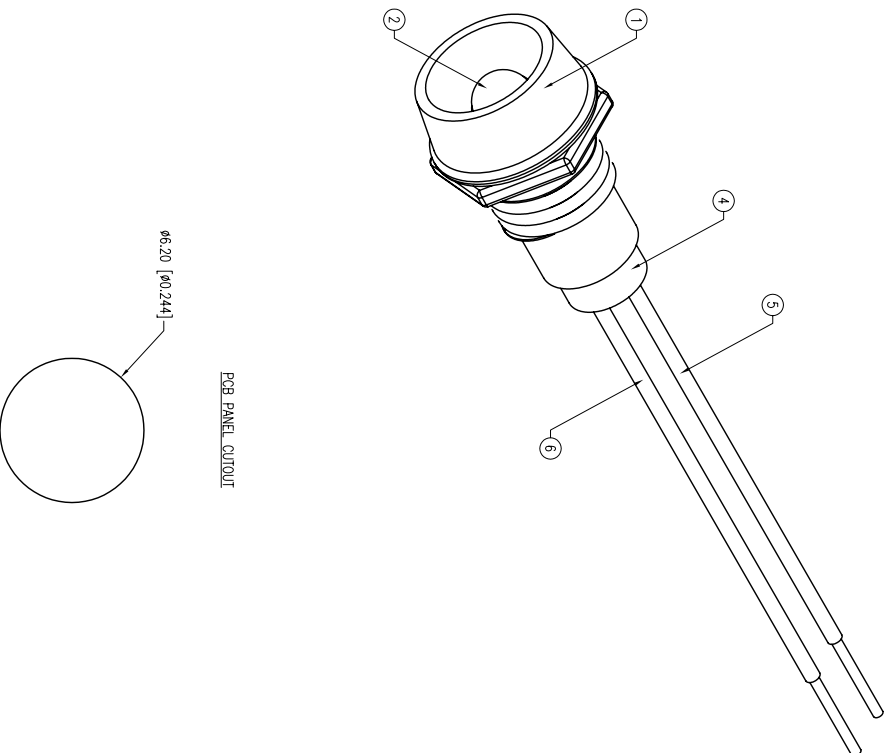
LIMITS OF SAFE OPERATION AT 25°C

PARAMETER	MAX	UNITS
PEAK FORWARD CURRENT*	150	mA
STEADY CURRENT	25	mA
POWER DISSIPATION	105	mW
DERATE FROM 25°C	-1.6	mW/°C
OPERATING TEMP.	-40 TO +85	°C
STORAGE TEMP.	-40 TO +85	°C
SOLDERING TEMP. ²	+280	°C
2.0mm FROM BODY	3	SEC. MAX.

* <10µS

NOTES:

- SSI-LXR1612, CHROME HOUSING.
- SSI-LX3054G, GREEN LED, TRIM LEADS TO 5mm.
- SOLDER WIRE LEADS TO LED LEADS.
- SSI-LXH1612B5G, BUSHING, INSERT AND GRIP
- ANODE LEAD: LPR-WST29870C, 26 AWG, STRANDED, RED INSULATION.
- CUT 157mm LONG, STRIP END 2mm & 9.5mm.
- CATHODE LEAD: LPR-WST29870C, 26 AWG, STRANDED, BLACK INSULATION. CUT 157mm LONG, STRIP END 2mm & 9.5mm.



197]

75

HELEN ROAD
E. I. L. 60067-6976
+1.847.359.2790
WWW.LUMEX.COM

T-3mm (T-1) 565nm GREEN LED PANEL INDICATOR, GREEN DIFFUSED LENS, 6" WIRE LEADS.
THE SPECIFICATIONS MAY CHANGE AT ANY TIME WITHOUT NOTICE DUE TO NEW MATERIALS OR PRODUCT IMPROVEMENT.
CONFIDENTIAL INFORMATION
THE INFORMATION CONTAINED IN THIS DOCUMENT IS THE PROPERTY OF LUMEX INC. EXCEPT AS SPECIFICALLY AUTHORIZED IN WRITING BY LUMEX INC., THE HOLDER OF THIS DOCUMENT SHALL KEEP ALL INFORMATION CONTAINED HEREIN CONFIDENTIAL AND SHALL PROTECT SAME IN WHOLE OR IN PART FROM DISCLOSURE AND DISSEMINATION TO ALL THIRD PARTIES.

UNCONTROLLED DOCUMENT

DATE:	07.14.11	DRAWN BY:	AB
PAGE:	1 OF 1	CHKD BY:	SS
SCALE:	NTS	APRVD BY:	KF
UNIT:	mm [INCH]		

Looking for pricing, stock, or lifecycle information?

Click below to explore more details on WIN SOURCE:

- ⊖ [View SSI-LXR1612GD-150 on WIN SOURCE](#)
- ⊖ [Lumex Opto/Components Inc. Information](#)

Optimize Your Supply Chain with WIN SOURCE Solutions

- ✓ Global Sourcing Solution
- ✓ Obsolete Management
- ✓ Cost Control Management
- ✓ Shortage Management
- ✓ Alternative Solution
- ✓ Excess Inventory Management