

PART NUMBER	SSI-LXR1612GD		REV.	C
DATE	E.C.N. NUMBER AND REVISION COMMENTS		REV.	
09.19.94	UPDATED SPECS.		REV.	A
10.16.01	E.C.N. #10BRDR. & REDRAWN IN 3D.		REV.	B
07.14.11	E.C.N. #10BRDR. & REDRAWN.		REV.	C

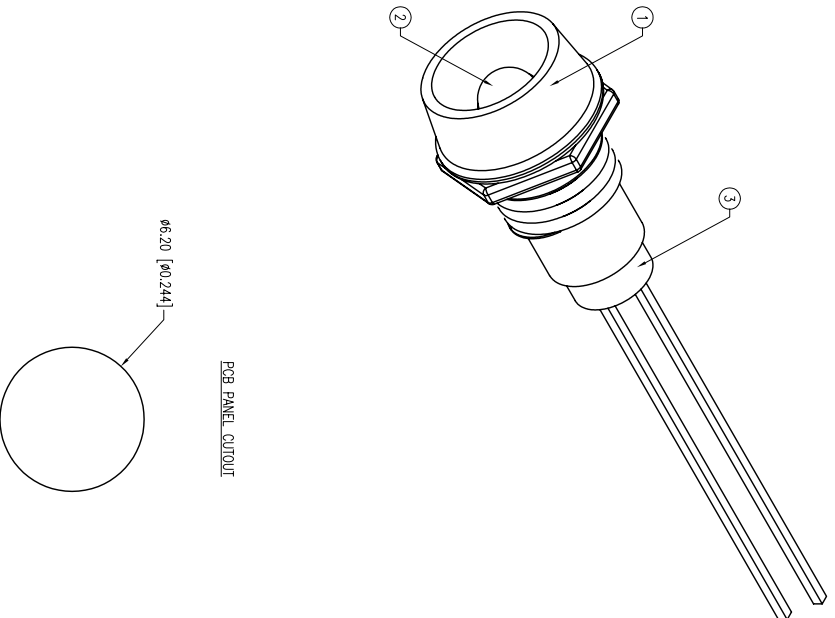
ELECTRO-OPTICAL CHARACTERISTICS I_a=25°C I_f=20mA

PARAMETER	MIN	TPP	MAX	UNITS	UNITS
PEAK WAVELENGTH		565		nm	
FORWARD VOLTAGE		2.2	2.6	V _F	I _f =100mA
REVERSE VOLTAGE	5.0			V _R	I _f =20mA
AXIAL INTENSITY		30		md	
VIEWING ANGLE		60		2x theta	
EMITTED COLOR:	GREEN				
EPOXY LENS FINISH:	GREEN DIFFUSED				

A) LIMITS OF SAFE OPERATION AT 25°C

PARAMETER	MAX	UNITS
PEAK FORWARD CURRENT*	150	mA
STEADY CURRENT	25	mA
POWER DISSIPATION	105	mW
DERATE FROM 25°C	-1.6	mW/°C
OPERATING TEMP.	-40 TO +85	°C
STORAGE TEMP.	-40 TO +85	°C
SOLDERING TEMP.	+280	°C
2.0mm FROM BODY	3	SEC. MAX.
* I<10µS		

- NOTES:
- SSI-LXR1612, CHROME HOUSING.
 - SSI-LX3056GD, GREEN LED.
 - SSI-LXH1612BSS, BUSHING, INSERT AND CRIMP.



±0.1 (±0.039), X.X=±0.5 (±0.020), X.XX=±0.25 (±0.010), X.XXX=±0.127 (±0.005), LEAD SIZE=±0.05 (±0.002), LEAD LENGTH=±0.75 (±0.030), MIN.= ±0.001 DECIMAL PRECISION
 HELEN ROAD
 E. I. L 60067-6976
 +1.847.359.2790
 WWW.LUXEY.COM

T=3mm (T-1) 565nm GREEN LED PANEL INDICATOR, GREEN DIFFUSED LENS.
 THE SPECIFICATIONS MAY CHANGE AT ANY TIME WITHOUT NOTICE DUE TO NEW MATERIALS OR PRODUCT IMPROVEMENT
 CONFIDENTIAL INFORMATION
 THE INFORMATION CONTAINED IN THIS DOCUMENT IS THE PROPERTY OF LUXEY INC. EXCEPT AS SPECIFICALLY AUTHORIZED IN WRITING BY LUXEY INC., THE HOLDER OF THIS DOCUMENT SHALL KEEP ALL INFORMATION CONTAINED HEREIN CONFIDENTIAL AND SHALL PROTECT SAME IN WHOLE OR IN PART FROM DISCLOSURE AND DISSEMINATION TO ALL THIRD PARTIES.

UNCONTROLLED DOCUMENT
 DATE: 07.14.11 DRAWN BY: AB
 PAGE: 1 OF 1 CHKD BY: SS
 SCALE: NTS APRVD BY: KF
 UNIT: mm [INCH]

Looking for pricing, stock, or lifecycle information?

Click below to explore more details on WIN SOURCE:

- ⊖ [View SSI-LXR1612GD on WIN SOURCE](#)
- ⊖ [Lumex Opto/Components Inc. Information](#)

Optimize Your Supply Chain with WIN SOURCE Solutions

- ✓ Global Sourcing Solution
- ✓ Obsolete Management
- ✓ Cost Control Management
- ✓ Shortage Management
- ✓ Alternative Solution
- ✓ Excess Inventory Management