



**THE DATASHEET OF
SSI-LXR3612ID-150**



PART NUMBER	SSI-LXR3612ID-150		REV.	F
DATE	E.C.N. NUMBER AND REVISION COMMENTS		REV.	
11.17.92	UPDATED SAFE OPER. SPECS.		A	
09.19.94	UPDATED SAFE OPER. SPECS AND NOTES.		B	
05.16.95	UPDATED DWG AND NOTES.		C	
06.23.95	CHG'D WIRE SIZE.		D	
10.30.01	E.C.N. #10BRDR. & REDRAWN IN 3D.		E	
7.14.11	E.C.N. #10BRDR. & REDRAWN.		F	

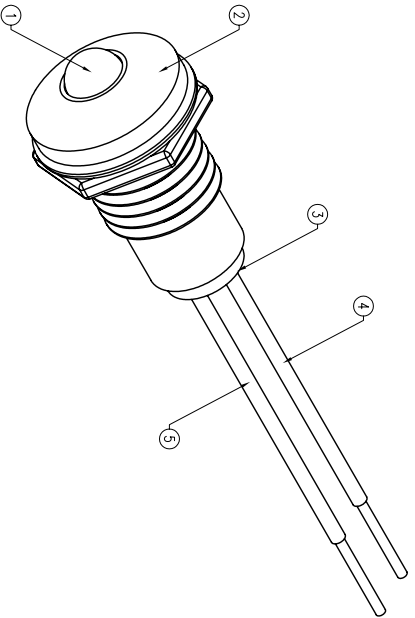
ELECTRO-OPTICAL CHARACTERISTICS $I_p=25\text{C}$ $I_f=20\text{mA}$

PARAMETER	MIN	Typ	MAX	UNITS	UNITS
PEAK WAVELENGTH		635		nm	
FORWARD VOLTAGE		2.0	2.5	Vf	$I_f=100\mu\text{A}$
REVERSE VOLTAGE	5.0			Vr	$I_f=10\text{mA}$
AXIAL INTENSITY		30		med	
VIEWING ANGLE		60		2λ theta	
EMITTED COLOR:	RED				
EPOXY LENS FINISH:	RED DIFFUSED				

LIMITS OF SAFE OPERATION AT 25°C

PARAMETER	MAX	UNITS
PEAK FORWARD CURRENT*	150	mA
STEADY CURRENT	30	mA
POWER DISSIPATION	105	mW
DERATE FROM 25°C	-1.6	mW/°C
OPERATING TEMP.†	-40 TO +85	°C
STORAGE TEMP.	-40 TO +85	°C
SOLDERING TEMP.	+260	°C
2.0mm FROM BODY	3	SEC. MAX.

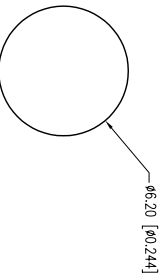
* I<10μS



NOTES:

- SSI-LX3054D, RED LED, TRIM LEADS TO 5mm.
- SSI-LXR3612 HOLDER, CHROME FINISH.
- SSI-LXH1628SS, BUSHING, INSERT AND GRIP.
- ANODE LEAD: LPP-WST2820TC, 26 AWG, STRANDED, RED INSULATION.
- CUT TO 157mm LONG, STRIP ENDS 2mm AND 9.5mm.
- CATHODE LEAD: LXP-WST2821TC, 26 AWG, STRANDED, BLACK INSULATION.
- CUT TO 157mm LONG, STRIP ENDS 2mm AND 9.5mm.
- SOLDER LEAD LEADS TO WIRE LEADS.

PANEL CUTOOUT



ø8.00 [ø0.315]

X±1 (+0.039), X.X±0.05 (+0.020), X.XX±0.025 (+0.010), X.XXX±0.127 (+0.009), LEAD SIZE±0.05 (+0.002), LEAD LENGTH±0.75 (+0.030), MIN±0.001 (+0.000) PRECISION MAX±0.001 (+0.000) PRECISION

HELEN ROAD
E. I. L 60067-6976
+1.847.359.2790
WWW.LUMEX.COM

T-3mm (T-1) 635nm RED PANEL INDICATOR, RED DIFFUSED LENS, 6" WIRE LEADS.

THE SPECIFICATIONS MAY CHANGE AT ANY TIME WITHOUT NOTICE DUE TO NEW MATERIALS OR PRODUCT IMPROVEMENT

CONFIDENTIAL INFORMATION
THE INFORMATION CONTAINED IN THIS DOCUMENT IS THE PROPERTY OF LUMEX INC. EXCEPT AS SPECIFICALLY AUTHORIZED IN WRITING BY LUMEX INC., THE HOLDER OF THIS DOCUMENT SHALL KEEP ALL INFORMATION CONTAINED HEREIN CONFIDENTIAL AND SHALL PROTECT SAME IN WHOLE OR IN PART FROM DISCLOSURE AND DISSEMINATION TO ALL THIRD PARTIES.

UNCONTROLLED DOCUMENT

DATE:	07.14.11	DRAWN BY:	AB
PAGE:	1 OF 1	CHKD BY:	KF
SCALE:	NTS	APRVD BY:	JD
UNIT:	mm [INCH]		



Looking for pricing, stock, or lifecycle information?

Click below to explore more details on WIN SOURCE:

 [View SSI-LXR3612ID-150 on WIN SOURCE](#)

 [Lumex Opto/Components Inc. Information](#)

Optimize Your Supply Chain with WIN SOURCE Solutions

-  Global Sourcing Solution
-  Obsolete Management
-  Cost Control Management
-  Shortage Management
-  Alternative Solution
-  Excess Inventory Management