



**THE DATASHEET OF
SSI-LXR3816ID1215W**



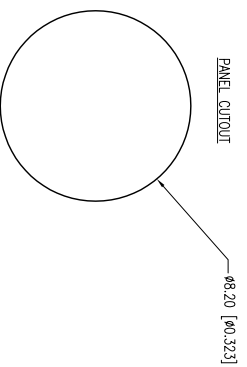
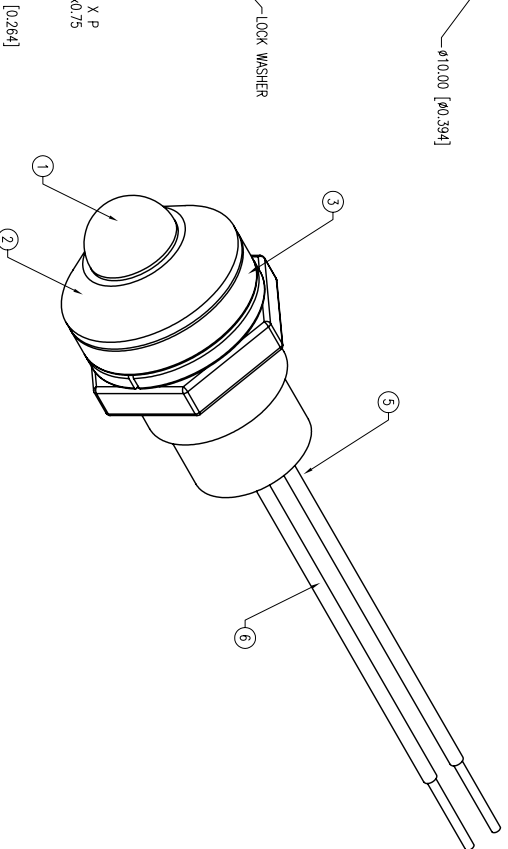
PART NUMBER	SSI-LXR3816ID1215W		REV.	A
DATE	E.C.N. NUMBER AND REVISION COMMENTS		REV.	
03.05.12	E.C.N. #10BRDR. & REDRAWN.		REV.	A

ELECTRO-OPTICAL CHARACTERISTICS $T_a=25^{\circ}\text{C}$ $I_f=12\text{V}$				
PARAMETER	MIN	TYP	MAX	UNITS TEST COND
PEAK WAVELENGTH		635		nm
FORWARD VOLTAGE		12.0	14.0	Vf $I_f=100\mu\text{A}$
REVERSE VOLTAGE	5.0			Vr $I_f=12\text{V}$
AXIAL INTENSITY		20		cd
VIEWING ANGLE		60		2π theta
EMITTED COLOR:	RED			
LENS FINISH:	RED DIFFUSED			

LIMITS OF SAFE OPERATION AT 25°C				
PARAMETER	MAX	UNITS		
PEAK FORWARD VOLTAGE	14	V		
STEADY CURRENT	12	mA		
POWER DISSIPATION	310	mW		
DERATE FROM 25°C	-1.2	mW/°C		
OPERATING TEMP.	-40 TO +85	°C		
STORAGE TEMP.	-40 TO +85	°C		

NOTES:

1. SSI-LX50930D-12V, RED LED, TRIM TO 4mm.
2. SSI-LXR3816, CHROME HOUSING.
3. LXP-WA-3816, RUBBER GASKET.
4. SSH-LXH4815B55, BUSHING.
5. ANODE LEAD: LXP-WS1248D10C, 24 AWG, TINNED OVERCOAT, RED INSULATION, CUT 160mm LONG, STRIP 9.5mm & 3mm.
6. CATHODE LEAD: LXP-WS1248L10C, 24 AWG, TINNED OVERCOAT, BLACK INSULATION, CUT 160mm LONG, STRIP 9.5mm & 3mm.
7. ASSEMBLE IN ORDER: LED, SILICON, THEN BUSHING.
8. SPLASH RESISTANT PER NEMA SPEC. 250 SECTION 6.7.



HELEN ROAD
E. I. L 60067-6976
+1.847.359.2790
WWW.LUMEX.COM

T-5mm 635nm RED LED PANEL INDICATOR, 12 VOLTS, RED DIFFUSED LENS, 6.0" WIRE LEADS, SPLASH PROOF.
THE SPECIFICATIONS MAY CHANGE AT ANY TIME WITHOUT NOTICE DUE TO NEW MATERIALS OR PRODUCT IMPROVEMENT.
CONFIDENTIAL INFORMATION
THE INFORMATION CONTAINED IN THIS DOCUMENT IS THE PROPERTY OF LUMEX INC. EXCEPT AS SPECIFICALLY AUTHORIZED IN WRITING BY LUMEX INC., THE HOLDER OF THIS DOCUMENT SHALL KEEP ALL INFORMATION CONTAINED HEREIN CONFIDENTIAL AND SHALL PROTECT SAME IN WHOLE OR IN PART FROM DISCLOSURE AND DISSEMINATION TO ALL THIRD PARTIES.

UNCONTROLLED DOCUMENT

DATE:	03.05.12	DRAWN BY:	AB
PAGE:	1 OF 1	CHKD BY:	KF
SCALE:	NTS	APRVD BY:	KF
UNIT:	mm [INCH]		

Looking for pricing, stock, or lifecycle information?

Click below to explore more details on WIN SOURCE:

⊖ [View SSI-LXR3816ID1215W on WIN SOURCE](#)

⊖ [Lumex Opto/Components Inc. Information](#)

Optimize Your Supply Chain with WIN SOURCE Solutions

- ✓ Global Sourcing Solution
- ✓ Obsolete Management
- ✓ Cost Control Management
- ✓ Shortage Management
- ✓ Alternative Solution
- ✓ Excess Inventory Management