



**THE DATASHEET OF
SSI-LXR1612ID**



PART NUMBER	SS1-LXR16121D	REV.	C
DATE	E.C.N. NUMBER AND REVISION COMMENTS	REV.	
09.19.94	UPDATED SPECS.	A	
10.16.01	E.C.N. #10BRDR. & REDRAWN IN 3D.	B	
07.14.11	E.C.N. #10BRDR. & REDRAWN.	C	

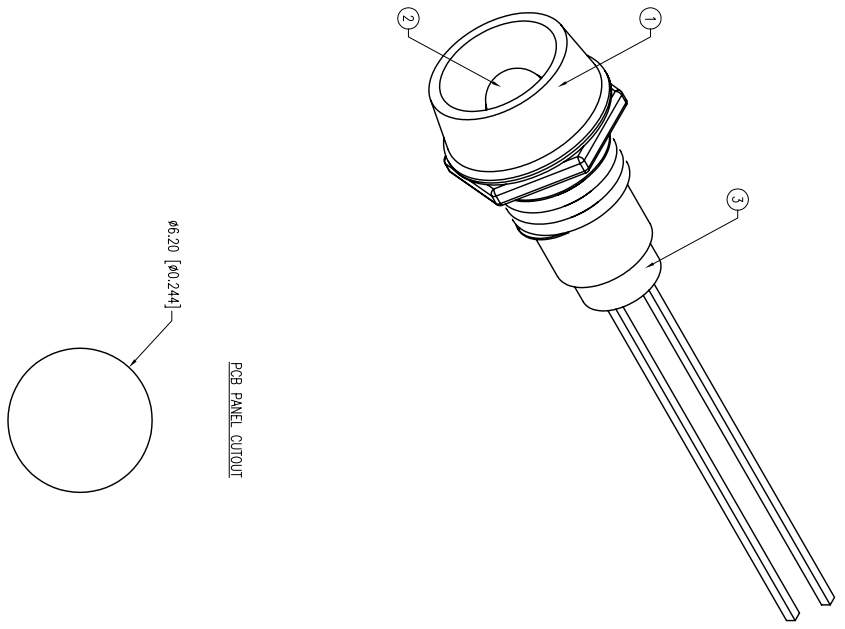
ELECTRO-OPTICAL CHARACTERISTICS $I_f=25\text{mA}$ $I_f=20\text{mA}$

PARAMETER	MIN	TPP	MAX	UNITS	UNITS
PEAK WAVELENGTH		635		nm	
FORWARD VOLTAGE		2.0	2.5	V _F	$I_f=100\mu\text{A}$
REVERSE VOLTAGE	5.0			V _R	$I_f=20\text{mA}$
AXIAL INTENSITY		30		md	
VIEWING ANGLE		60		2x theta	
EMITTED COLOR:	RED				
EPOXY LENS FINISH:	RED DIFFUSED				

[A] LIMITS OF SAFE OPERATION AT 25°C

PARAMETER	MAX	UNITS
PEAK FORWARD CURRENT*	150	mA
STEADY CURRENT	30	mA
POWER DISSIPATION	105	mW
DERATE FROM 25°C	-1.6	mW/°C
OPERATING TEMP.	-40 TO +85	°C
STORAGE TEMP.	-40 TO +85	°C
SOLDERING TEMP. ²	+280	°C
2.0mm FROM BODY	3	SEC. MAX.
* $I_f < 10\mu\text{S}$		

- NOTES:
- SS1-LXR1612, CHROME HOUSING.
 - SS1-LX3054D, RED LED.
 - [A] 3. SSH-LXH1612BSS, BUSHING, INSERT AND CRIMP.



HELEN ROAD
E. I. L 60067-6976
+1.847.359.2790
WWW.LUXEY.COM

T-3mm (T-1) 635nm RED LED PANEL INDICATOR, RED DIFFUSED LENS.
THE SPECIFICATIONS MAY CHANGE AT ANY TIME WITHOUT NOTICE DUE TO NEW MATERIALS OR PRODUCT IMPROVEMENT
CONFIDENTIAL INFORMATION
THE INFORMATION CONTAINED IN THIS DOCUMENT IS THE PROPERTY OF LUXEY INC. EXCEPT AS SPECIFICALLY AUTHORIZED IN WRITING BY LUXEY INC., THE HOLDER OF THIS DOCUMENT SHALL KEEP ALL INFORMATION CONTAINED HEREIN CONFIDENTIAL AND SHALL PROTECT SAME IN WHOLE OR IN PART FROM DISCLOSURE AND DISSEMINATION TO ALL THIRD PARTIES.

UNCONTROLLED DOCUMENT
DATE: 07.14.11 DRAWN BY: AB
PAGE: 1 OF 1 CHKD BY: KF
SCALE: NTS APRVD BY: SS
UNIT: mm [INCH]



Looking for pricing, stock, or lifecycle information?

Click below to explore more details on WIN SOURCE:

- ⊖ [View SSI-LXR1612ID on WIN SOURCE](#)
- ⊖ [Lumex Opto/Components Inc. Information](#)

Optimize Your Supply Chain with WIN SOURCE Solutions

- ✓ Global Sourcing Solution
- ✓ Obsolete Management
- ✓ Cost Control Management
- ✓ Shortage Management
- ✓ Alternative Solution
- ✓ Excess Inventory Management