



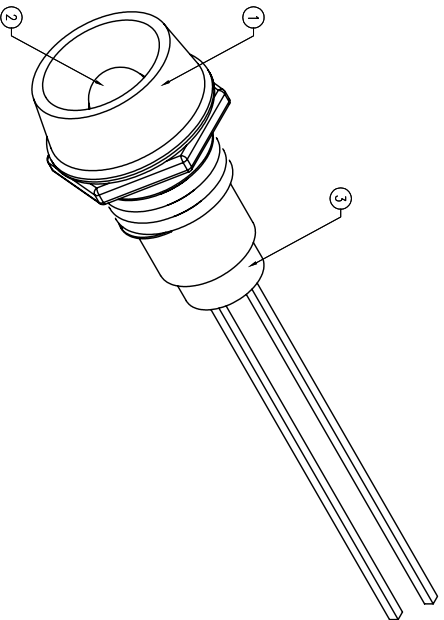
# THE DATASHEET OF SSI-LXR1612YD



PART NUMBER	SSI-LXR1612YD		REV.	C
DATE	E.C.N. NUMBER AND REVISION COMMENTS		REV.	
09.19.94	UPDATED SAFE OPER. SPECS AND NOTES.		A	
10.23.01	E.C.N. #10BRDR. & REDRAWN IN 3D.		B	
07.14.11	E.C.N. #10BRDR. & REDRAWN.		C	

ø8.00 [ø0.315]

0 [ø0.280]



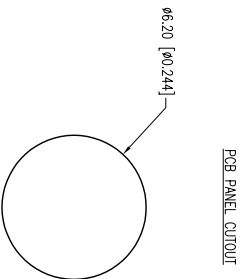
ELECTRO-OPTICAL CHARACTERISTICS  $T_c=25^\circ\text{C}$   $I_f=20\text{mA}$

PARAMETER	MIN	TYP	MAX	UNITS	UNITS
PEAK WAVELENGTH		585		nm	
FORWARD VOLTAGE		2.1	2.5	V <sub>F</sub>	$I_f=100\text{mA}$
REVERSE VOLTAGE	5.0			V <sub>R</sub>	$I_f=20\text{mA}$
AXIAL INTENSITY		30		md	
VIEWING ANGLE		60		2 $\times$ theta	
EMITTED COLOR:	YELLOW				
EPOXY LENS FINISH:	YELLOW DIFFUSED				

**A** LIMITS OF SAFE OPERATION AT 25°C

PARAMETER	MAX	UNITS
PEAK FORWARD CURRENT*	150	mA
STEADY CURRENT	30	mA
POWER DISSIPATION	105	mW
DERATE FROM 25°C	-1.6	mW/°C
OPERATING TEMP.	-40 TO +85	°C
STORAGE TEMP.	-40 TO +85	°C
* $t_1 < 10\mu\text{s}$		

- NOTES:
1. SSI-LXR1612, CHROME HOUSING.
  2. SSI-LX3054D, ULTRA BRIGHT BLUE LED.
  3. SSI-LXH1612B5G, BUSHING, INSERT AND CRIMP.



PCB PANEL OUTPUT

ø6.20 [ø0.244]

X±1 (+0.039), X-X±0.5 (+0.020), X-XX±0.25 (+0.010), X-XXX±0.127 (+0.005), LEAD SIZE±0.05 (+0.002), LEAD LENGTH±0.75 (+0.030), MIN±0.000, DECIMAL PRECISION MAX±0.000, DECIMAL PRECISION

HELEN ROAD  
E. I. L 60067-6976  
+1.847.359.2790  
WWW.LUMEX.COM

T-3mm (T-1) 585nm YELLOW LED PANEL INDICATOR, WATER CLEAR.

\*\*THE SPECIFICATIONS MAY CHANGE AT ANY TIME WITHOUT NOTICE DUE TO NEW MATERIALS OR PRODUCT IMPROVEMENT.\*\*

CONFIDENTIAL INFORMATION  
THE INFORMATION CONTAINED IN THIS DOCUMENT IS THE PROPERTY OF LUMEX INC. EXCEPT AS SPECIFICALLY AUTHORIZED IN WRITING BY LUMEX INC., THE HOLDER OF THIS DOCUMENT SHALL KEEP ALL INFORMATION CONTAINED HEREIN CONFIDENTIAL AND SHALL PROTECT SAME IN WHOLE OR IN PART FROM DISCLOSURE AND DISSEMINATION TO ALL THIRD PARTIES.

UNCONTROLLED DOCUMENT

DATE:	07.14.11	DRAWN BY:	AB
PAGE:	1 OF 1	CHKD BY:	KF
SCALE:	NTS	APRVD BY:	SS
UNIT:	mm [INCH]		



## Looking for pricing, stock, or lifecycle information?

Click below to explore more details on WIN SOURCE:

- ⊖ [View SSI-LXR1612YD on WIN SOURCE](#)
- ⊖ [Lumex Opto/Components Inc. Information](#)

## Optimize Your Supply Chain with WIN SOURCE Solutions

- ✓ Global Sourcing Solution
- ✓ Obsolete Management
- ✓ Cost Control Management
- ✓ Shortage Management
- ✓ Alternative Solution
- ✓ Excess Inventory Management