



**THE DATASHEET OF
CY25402SXC-008T**



Two-PLL Programmable Clock Generator with Spread Spectrum

Features

- Two fully integrated phase-locked loops (PLLs)
- Input frequency range
 - External crystal: 8 to 48 MHz
 - External reference: 8 to 166 MHz clock
- Reference clock input voltage range
 - 2.5 V, 3.0 V, and 3.3 V for CY25482
 - 1.8 V for CY25402 and CY25422
- Wide operating output frequency range
 - 3 to 166 MHz
- Programmable^[1] spread spectrum with center and down spread option and lexmark and linear modulation profiles
- V_{DD} supply voltage options:
 - 2.5 V, 3.0 V, and 3.3 V for CY25402 and CY25482
 - 1.8 V for CY25422
- Frequency select feature with option to select four different frequencies
- Power-down, Output Enable, and SS ON/OFF controls
- Low jitter, high-accuracy outputs
- Ability to synthesize nonstandard frequencies with fractional-N capability
- Three clock outputs with programmable drive strength
- Glitch-free outputs while frequency switching

- 8-pin small outline integrated circuit (SOIC) package
- Commercial and industrial temperature ranges
- One-time programmability
For programming support, contact [Cypress technical support](#) or send an e-mail to clocks@cypress.com

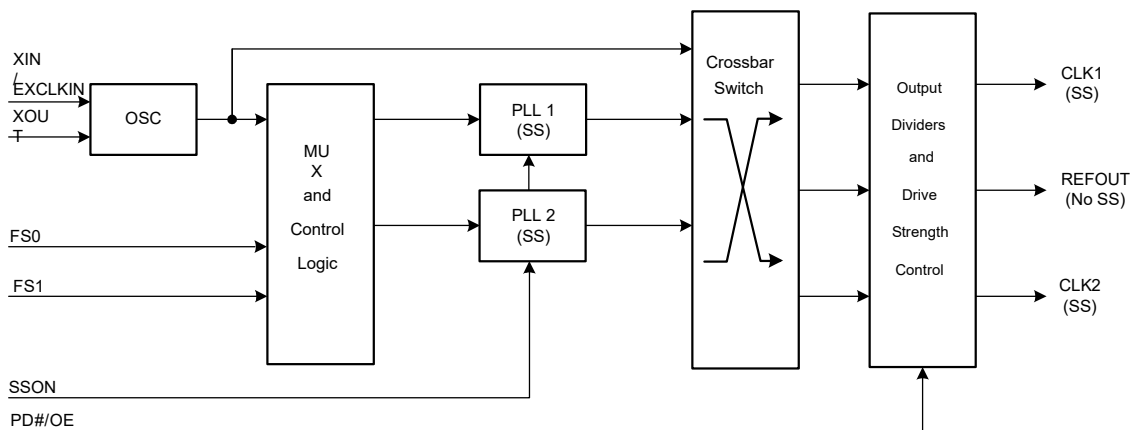
Benefits

- Multiple high-performance PLLs allow synthesis of unrelated frequencies
- Nonvolatile programming for personalization of PLL frequencies, spread spectrum characteristics, drive strength, crystal load capacitance, and output frequencies
- Application specific programmable EMI reduction using spread spectrum for clocks
- Programmable PLLs for system frequency margin tests
- Meets critical timing requirements in complex system designs
- Suitability for PC, consumer, portable, and networking applications
- Capable of zero parts per million (PPM) frequency synthesis error
- Uninterrupted system operation during clock frequency switch
- Application compatibility in standard and low-power systems

Functional Description

For a complete list of related documentation, click [here](#).

Block Diagram



Note

1. The devices mentioned in this datasheet are available as factory-programmable parts and not as field-programmable parts, since the associated programming software is currently not available. Visit www.cypress.com to create a Technical Support case, so Cypress can provide a programming file (.jed file) that matches your requirements.

Contents

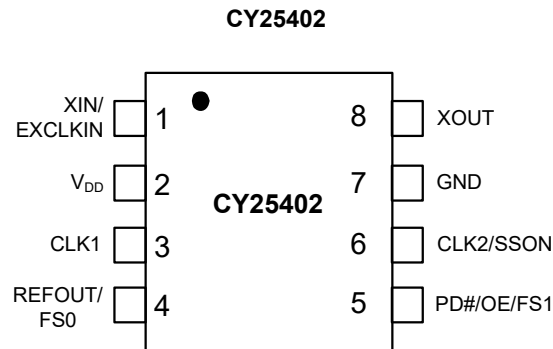
| | | | |
|--|----------|--|-----------|
| Device Selector Guide | 3 | AC Electrical Specifications | 9 |
| Pin Configuration | 3 | Configuration Example | 9 |
| Pin Definitions | 3 | Recommended Crystal Specification | 10 |
| Pin Configuration | 4 | Recommended Crystal Specification | 10 |
| Pin Definitions | 4 | Test and Measurement Setup | 10 |
| Pin Configuration | 5 | Voltage and Timing Definitions | 11 |
| Pin Definitions | 5 | Ordering Information | 12 |
| Functional Overview | 6 | Possible Configurations | 12 |
| Two Configurable PLLs | 6 | Ordering Code Definitions | 13 |
| Input Reference Clocks | 6 | Package Drawing and Dimensions | 14 |
| VDD Power Supply Options | 6 | Acronyms | 15 |
| Output Source Selection | 6 | Document Conventions | 15 |
| Spread Spectrum Control | 6 | Units of Measure | 15 |
| Frequency Select | 6 | Document History Page | 16 |
| Glitch-Free Frequency Switch | 6 | Sales, Solutions, and Legal Information | 18 |
| PD#/OE Mode | 6 | Worldwide Sales and Design Support | 18 |
| Output Drive Strength | 6 | Products | 18 |
| Generic Configuration and Custom Frequency | 6 | PSoC® Solutions | 18 |
| Absolute Maximum Conditions | 7 | Cypress Developer Community | 18 |
| Recommended Operating Conditions | 7 | Technical Support | 18 |
| DC Electrical Specifications | 8 | | |

Device Selector Guide

| Device | Crystal Input | EXCLKIN Input | V _{DD} |
|---------|---------------|----------------------------|---------------------|
| CY25402 | Yes | 1.8 V LVCMOS | 2.5 V, 3.0 V, 3.3 V |
| CY25482 | No | 2.5 V, 3.0 V, 3.3 V LVCMOS | 2.5 V, 3.0 V, 3.3 V |
| CY25422 | Yes | 1.8 V LVCMOS | 1.8 V |

Pin Configuration

Figure 1. 8-pin SOIC Pinout



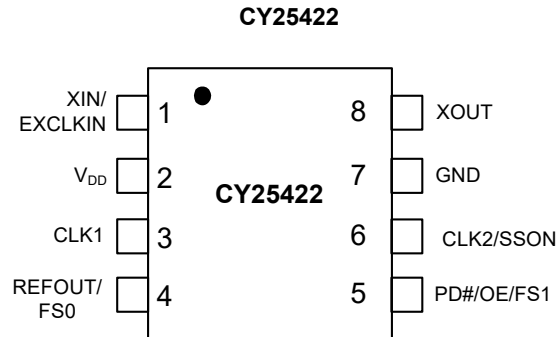
Pin Definitions

CY25402 (2.5 V, 3.0 V, or 3.3 V Supply)

| Pin Number | Name | I/O | Description |
|------------|-----------------|--------------|--|
| 1 | XIN/EXCLKIN | Input | Crystal input or 1.8 V external clock input |
| 2 | V _{DD} | Power | Power supply: 2.5 V, 3.0 V, or 3.3 V |
| 3 | CLK1 | Output | Programmable clock output with spread spectrum |
| 4 | REFOUT/FS0 | Output/Input | Multifunction programmable pin: reference clock output with no spread spectrum or frequency select pin |
| 5 | PD#/OE/FS1 | Input | Multifunction programmable pin: power-down, output enable or frequency select pin |
| 6 | CLK2/SSON | Output/Input | Multifunction programmable pin: programmable clock output with spread spectrum or spread spectrum ON/OFF control pin |
| 7 | GND | Power | Power supply ground |
| 8 | XOUT | Output | Crystal output |

Pin Configuration

Figure 2. 8-pin SOIC Pinout



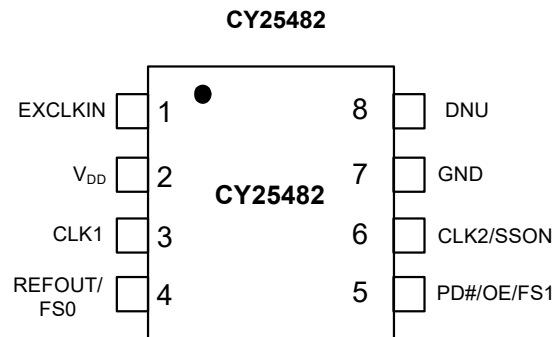
Pin Definitions

CY25422 (1.8 V Supply)

| Pin Number | Name | I/O | Description |
|------------|-----------------|--------------|--|
| 1 | XIN/EXCLKIN | Input | Crystal input or 1.8 V external clock input |
| 2 | V _{DD} | Power | Power supply: 1.8 V |
| 3 | CLK1 | Output | Programmable clock output with spread spectrum |
| 4 | REFOUT/FS0 | Output/Input | Multifunction programmable pin: reference clock output with no spread spectrum or frequency select pin |
| 5 | PD#/OE/FS1 | Input | Multifunction programmable pin: power-down, output enable or frequency select pin |
| 6 | CLK2/SSON | Output/Input | Multifunction programmable pin: programmable clock output with spread spectrum or spread spectrum ON/OFF control pin |
| 7 | GND | Power | Power supply ground |
| 8 | XOUT | Output | Crystal output |

Pin Configuration

Figure 3. 8-pin SOIC Pinout



Pin Definitions

CY25482 (2.5 V, 3.0 V, or 3.3 V Supply)

| Pin Number | Name | I/O | Description |
|------------|-----------------|--------------|--|
| 1 | EXCLKIN | Input | 2.5 V, 3.0 V, or 3.3 V external clock input |
| 2 | V _{DD} | Power | Power supply: 2.5 V, 3.0 V, or 3.3 V |
| 3 | CLK1 | Output | Programmable clock output with spread spectrum |
| 4 | REFOUT/FS0 | Output/Input | Multifunction programmable pin: reference clock output with no spread spectrum or frequency select pin |
| 5 | PD#/OE/FS1 | Input | Multifunction programmable pin: power-down, output enable, or frequency select pin |
| 6 | CLK2/SSON | Output/Input | Multifunction Programmable pin: programmable clock output with spread spectrum or spread spectrum ON/OFF control pin |
| 7 | GND | Power | Power supply ground |
| 8 | DNU | Output | Do not use this pin |

Functional Overview

Two Configurable PLLs

The CY25402, CY25422, and CY25482 have two programmable PLLs that can be used to generate output frequencies ranging from 3 to 166 MHz. The advantage of having two PLLs is that a single device generates two independent frequencies from a single crystal.

Input Reference Clocks

The input reference clock can be either a crystal or a clock signal, for CY25402 and CY25422 while just a clock signal for CY25482. The input frequency range for crystal (XIN) is 8 MHz to 48 MHz and that for external reference clock (EXCLKIN) is 8 MHz to 166 MHz. The voltage range of the reference clock input for CY25482 is 2.5 V/3.0 V/3.3 V while that for CY25402 and CY25422 is 1.8 V. This gives user an option for this device to be compatible for different input clock voltage levels in the system.

V_{DD} Power Supply Options

These devices have programmable power supply options. The CY25402/CY25482 is a high voltage part that can be programmed to operate at any voltage 2.5 V, 3.0 V, or 3.3 V while CY25422 is a low voltage part that can operate at 1.8 V.

Output Source Selection

These devices have programmable input sources for each of its clock outputs. There are three available clock sources and these clock sources are: XIN/EXCLKIN, PLL1, and PLL2. Output clock source selection is done by using three out of three crossbar switch. Thus, any one of these three available clock sources can be arbitrarily selected for the clock outputs. This gives user a flexibility to have two independent clock outputs.

Spread Spectrum Control

Both PLLs (PLL1 and PLL2) have spread spectrum capability for EMI reduction in the system. The device uses a Cypress proprietary PLL and spread spectrum clock (SSC) technology to synthesize and modulate the frequency of the PLL. The spread spectrum feature can be turned on or off using a multifunction control pin (CLK2/SSON). It can be programmed to either center spread range from $\pm 0.125\%$ to $\pm 2.50\%$ or down spread range from -0.25% to -5.0% with lexmark or linear profile.

Frequency Select

Each PLL can be programmed for up to four different frequencies. There are two multifunction programmable pins, REFOUT/FS0 and PD#/OE/FS1 which if programmed as frequency select inputs, can be used to select among these arbitrarily programmed frequency settings. Each output has programmable output divider options.

Glitch-Free Frequency Switch

When the frequency select pin, FS(1:0) is used to switch frequency, the outputs are glitch-free provided frequency is switched using output dividers. This feature enables uninterrupted system operation while clock frequency is being switched.

PD#/OE Mode

Multifunction pin PD#/OE/FS1 (Pin 5) can be programmed to operate as either frequency select (FS1), power down (PD#) or output enable (OE) mode. PD# is a low-true input. If activated it shuts off the entire chip, resulting in minimum power consumption for the device. Setting this signal high brings the device in the operational mode with default register settings.

When this pin is programmed as Output Enable (OE), clock outputs can be enabled or disabled using OE (pin 5). Individual clock outputs can be programmed to be sensitive to this OE pin.

Output Drive Strength

The DC drive strength of the individual clock output can be programmed for different values. [Pin Definitions on page 4](#) shows the typical rise and fall times for different drive strength settings.

Table 1. Output Drive Strength

| Output Drive Strength | Rise/Fall Time (ns) (Typical Value) |
|-----------------------|--|
| Low | 6.8 |
| Mid Low | 3.4 |
| Mid High | 2.0 |
| High | 1.0 |

Generic Configuration and Custom Frequency

There is a generic set of output frequencies available from the factory that can be used for the device evaluation purposes. The devices, CY25402, CY25422, and CY25482 can be custom programmed to any desired frequencies and listed features. For customer specific programming, contact your local Cypress field application engineer (FAE) or sales representative.

Absolute Maximum Conditions

| Parameter | Description | Condition | Min | Max | Unit |
|--------------------|------------------------------------|-----------------------------|------|-----------------------|------|
| V _{DD} | Supply voltage for CY25402/CY25482 | – | –0.5 | 4.5 | V |
| V _{DD} | Supply voltage for CY25422 | – | –0.5 | 2.6 | V |
| V _{IN} | Input voltage for CY25402/CY25482 | Relative to V _{SS} | –0.5 | V _{DD} + 0.5 | V |
| V _{IN} | Input voltage for CY25422 | Relative to V _{SS} | –0.5 | 2.2 | V |
| T _S | Temperature, storage | Non Functional | –65 | +150 | °C |
| ESD _{HBM} | ESD protection (human body model) | JEDEC EIA/JESD22-A114-E | 2000 | – | V |
| UL-94 | Flammability rating | V-0 at 1/8 in. | – | 10 | ppm |
| MSL | Moisture sensitivity level | SOIC package | 3 | | |

Recommended Operating Conditions

| Parameter | Description | Min | Typ | Max | Unit |
|-------------------|--|------|-----|------|------|
| V _{DD} | V _{DD} Operating voltage for CY25402/CY25482 | 2.25 | – | 3.60 | V |
| V _{DD} | V _{DD} Operating voltage for CY25422 | 1.65 | 1.8 | 1.95 | V |
| T _{AC} | Commercial ambient temperature | 0 | – | +70 | °C |
| T _{AI} | Industrial ambient temperature | –40 | -- | +85 | °C |
| C _{LOAD} | Maximum load capacitance | – | – | 15 | pF |
| t _{PU} | Power-up time for all V _{DD} to reach minimum specified voltage (power ramps must be monotonic) | 0.05 | – | 500 | ms |

DC Electrical Specifications

| Parameter | Description | Conditions | Min | Typ | Max | Unit |
|-----------------------------------|---|--|-----------------------|-----|-----------------------|------|
| V _{OL} | Output low voltage | I _{OL} = 2 mA, drive strength = [00] | – | – | 0.4 | V |
| | | I _{OL} = 3 mA, drive strength = [01] | | | | |
| | | I _{OL} = 7 mA, drive strength = [10] | | | | |
| | | I _{OL} = 12 mA, drive strength = [11] | | | | |
| V _{OH} | Output high voltage | I _{OH} = –2 mA, drive strength = [00] | V _{DD} – 0.4 | – | – | V |
| | | I _{OH} = –3 mA, drive strength = [01] | | | | |
| | | I _{OH} = –7 mA, drive strength = [10] | | | | |
| | | I _{OH} = –12 mA, drive strength = [11] | | | | |
| V _{IL1} | Input low voltage of PD#/OE, FS0, FS1 and SSON | – | – | – | 0.2 × V _{DD} | V |
| V _{IL2} | Input low voltage of EXCLKIN for CY25402/CY25422 | – | – | – | 0.3 | V |
| V _{IL3} | Input low voltage of EXCLKIN for CY25482 | – | – | – | 0.2 × V _{DD} | V |
| V _{IH1} | Input High Voltage of PD#/OE, FS0, FS1 and SSON | – | 0.8 × V _{DD} | – | – | V |
| V _{IH2} | Input high voltage of EXCLKIN for CY25402/CY25422 | – | 1.62 | – | 2.2 | V |
| V _{IH3} | Input high voltage of EXCLKIN for CY25482 | – | 0.8 × V _{DD} | – | – | V |
| I _{IL} | Input low current, PD#/OE/FS1 | V _{IN} = 0 V | – | – | 10 | μA |
| I _{IH} | Input high current, PD#/OE/FS1 | V _{IN} = V _{DD} | – | – | 10 | μA |
| I _{ILDN} | Input low current, SSON and FS0 pins | V _{IN} = 0 V (Internal pull down resistor = 160k typ.) | – | – | 10 | μA |
| I _{IHDN} | Input high current, SSON and FS0 pins | V _{IN} = V _{DD} (Internal pull down resistor = 160k typ.) | 14 | – | 36 | μA |
| R _{DN} | Pull-down resistor of CLK1, REFOUT/FS0 and CLK2/SSON pins | Output clocks in off state by setting PD# = Low | 100 | 160 | 250 | kΩ |
| I _{DD} ^[2, 3] | Supply current for CY25422 | PD# = High, No load | – | 12 | – | mA |
| | Supply current for CY25402/CY25482 | PD# = High, No load | – | 14 | – | mA |
| I _{DDS} ^[2] | Standby current | PD# = Low | – | 3 | – | μA |
| C _{IN} ^[3] | Input capacitance | SSON, PD#/OE/FS1 and FS0 pins | – | – | 7 | pF |

Notes

2. Guaranteed by design but not 100% tested.
3. Configuration dependent.

AC Electrical Specifications

| Parameter | Description | Conditions | Min | Typ | Max | Unit |
|------------------------------------|--|--|-----|-----|-----|------|
| F _{IN} (crystal) | Crystal frequency, XIN | | 8 | – | 48 | MHz |
| F _{IN} (clock) | Input clock frequency (EXCLKIN) | | 8 | – | 166 | MHz |
| F _{CLK} | Output clock frequency | | 3 | – | 166 | MHz |
| DC | Output duty cycle, all clocks except Ref Out | Duty Cycle is defined in Figure 5 on page 11 ; t ₁ /t ₂ , measured at 50% of V _{DD} | 45 | 50 | 55 | % |
| DC | Ref Out duty cycle | Ref In minimum 45%, maximum 55% | 40 | – | 60 | % |
| T _{RF1} ^[4] | Output rise/fall time | Measured from 20% to 80% of V _{DD} , as shown in Figure 6 on page 11 , C _{LOAD} = 15 pF, drive strength [00] | – | 6.8 | – | ns |
| T _{RF2} ^[4] | Output rise/fall time | Measured from 20% to 80% of V _{DD} , as shown in Figure 6 on page 11 , C _{LOAD} = 15 pF, drive strength [01] | – | 3.4 | – | ns |
| T _{RF3} ^[4] | Output rise/fall time | Measured from 20% to 80% of V _{DD} , as shown in Figure 6 on page 11 , C _{LOAD} = 15 pF, drive strength [10] | – | 2.0 | – | ns |
| T _{RF4} ^[4] | Output rise/fall time | Measured from 20% to 80% of V _{DD} , as shown in Figure 6 on page 11 , C _{LOAD} = 15 pF, drive strength [11] | – | 1.0 | – | ns |
| T _{CCJ} ^[4, 5] | Cycle-to-cycle jitter (peak) | Configuration dependent. See Configuration Example | – | 100 | – | ps |
| T _{LOCK} ^[5] | PLL lock time | Measured from 90% of the applied power supply level | – | 1 | 3 | ms |

Configuration Example

For C-C Jitter

| Ref. Frequency (MHz) | CLK1 Output | | CLK2 Output | |
|----------------------|-------------|---------------------|-------------|---------------------|
| | Freq. (MHz) | C-C Jitter Typ (ps) | Freq. (MHz) | C-C Jitter Typ (ps) |
| 14.3181 | 8.0 | 134 | 48 | 92 |
| 19.2 | 74.25 | 99 | 8 | 91 |
| 27 | 48 | 67 | 166 | 103 |
| 48 | 48 | 93 | 166 | 137 |

Notes

4. Guaranteed by design but not 100% tested.
5. Configuration dependent.

Recommended Crystal Specification

For SMD Package

| Parameter | Description | Range 1 | Range 2 | Range 3 | Unit |
|-----------|-----------------------------|---------|---------|---------|----------|
| Fmin | Minimum frequency | 8 | 14 | 28 | MHz |
| Fmax | Maximum frequency | 14 | 28 | 48 | MHz |
| R1 | Motional resistance (ESR) | 135 | 50 | 30 | Ω |
| C0 | Shunt capacitance | 4 | 4 | 2 | pF |
| CL | Parallel load capacitance | 18 | 14 | 12 | pF |
| DL(max) | Maximum crystal drive level | 300 | 300 | 300 | μ W |

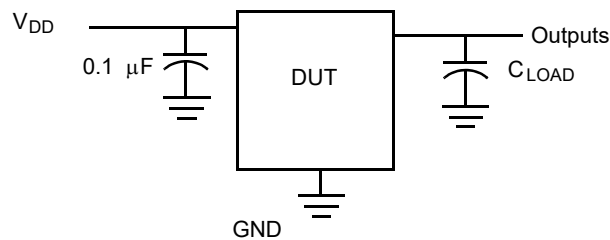
Recommended Crystal Specification

For Thru-Hole Package

| Parameter | Description | Range 1 | Range 2 | Range 3 | Unit |
|-----------|-----------------------------|---------|---------|---------|----------|
| Fmin | Minimum frequency | 8 | 14 | 24 | MHz |
| Fmax | Maximum frequency | 14 | 24 | 32 | MHz |
| R1 | Motional resistance (ESR) | 90 | 50 | 30 | Ω |
| C0 | Shunt capacitance | 7 | 7 | 7 | pF |
| CL | Parallel load capacitance | 18 | 12 | 12 | pF |
| DL(max) | Maximum crystal drive level | 1000 | 1000 | 1000 | μ W |

Test and Measurement Setup

Figure 4. Test and Measurement Setup



Voltage and Timing Definitions

Figure 5. Duty Cycle Definition

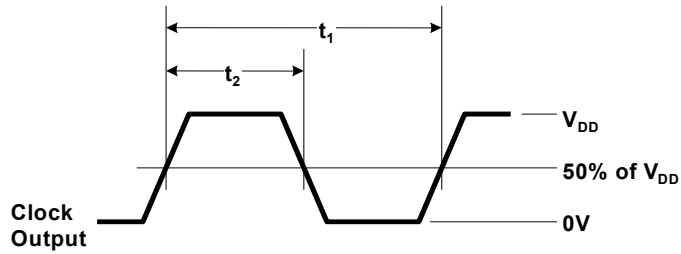
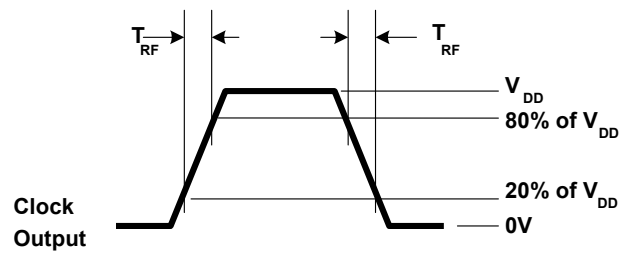


Figure 6. Rise Time = T_{RF} Fall Time = T_{RF}



Ordering Information

| Part Number | Type ^[6] | Package | Supply Voltage | Production Flow |
|-------------------|---|----------------------------|------------------------|------------------------------|
| Pb-free | | | | |
| CY25402SXI | Field Programmable | 8-pin SOIC | 2.5 V, 3.0 V, or 3.3 V | Industrial, –40 °C to +85 °C |
| CY25402SXIT | Field Programmable | 8-pin SOIC – Tape and Reel | 2.5 V, 3.0 V, or 3.3 V | Industrial, –40 °C to +85 °C |
| CY25422FSXI | Field Programmable | 8-pin SOIC | 1.8 V | Industrial, –40 °C to +85 °C |
| CY25422FSXIT | Field Programmable | 8-pin SOIC – Tape and Reel | 1.8 V | Industrial, –40 °C to +85 °C |
| CY25482FSXI | Field Programmable | 8-pin SOIC | 2.5 V, 3.0 V, or 3.3 V | Industrial, –40 °C to +85 °C |
| CY25482FSXIT | Field Programmable | 8-pin SOIC – Tape and Reel | 2.5 V, 3.0 V, or 3.3 V | Industrial, –40 °C to +85 °C |
| Programmer | | | | |
| CY3675-CLKMAKER1 | Programming kit | | | |
| CY3675-SOIC8A | Socket adapter board for programming CY25402, CY25403, CY25422, CY25423, CY25482, and CY25483 | | | |

Some product offerings are factory-programmed customer-specific devices with customized part numbers. The [Possible Configurations](#) table shows the available device types, but not complete part numbers. Contact your local Cypress FAE or sales representative for more information.

Possible Configurations

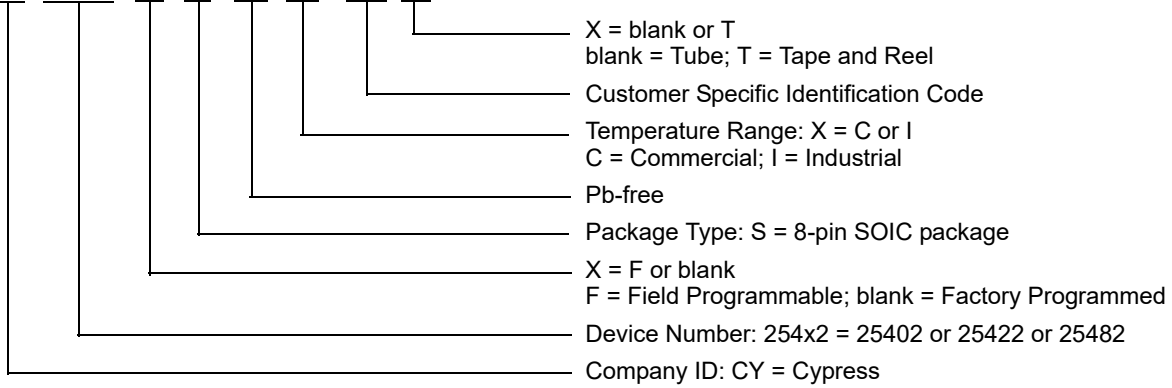
| Part Number ^[7] | Type | Package | Supply Voltage | Production Flow |
|----------------------------|--------------------|----------------------------|------------------------|------------------------------|
| Pb-free | | | | |
| CY25402SXC-xxx | Factory Programmed | 8-pin SOIC | 2.5 V, 3.0 V, or 3.3 V | Commercial, 0 °C to 70 °C |
| CY25402SXC-xxxT | Factory Programmed | 8-pin SOIC – Tape and Reel | 2.5 V, 3.0 V, or 3.3 V | Commercial, 0 °C to 70 °C |
| CY25422SXC-xxx | Factory Programmed | 8-pin SOIC | 1.8 V | Commercial, 0 °C to 70 °C |
| CY25422SXC-xxxT | Factory Programmed | 8-pin SOIC – Tape and Reel | 1.8 V | Commercial, 0 °C to 70 °C |
| CY25482SXC-xxx | Factory Programmed | 8-pin SOIC | 2.5 V, 3.0 V, or 3.3 V | Commercial, 0 °C to 70 °C |
| CY25482SXC-xxxT | Factory Programmed | 8-pin SOIC – Tape and Reel | 2.5 V, 3.0 V, or 3.3 V | Commercial, 0 °C to 70 °C |
| CY25402SXI-xxx | Factory Programmed | 8-pin SOIC | 2.5 V, 3.0 V, or 3.3 V | Industrial, –40 °C to +85 °C |
| CY25402SXI-xxxT | Factory Programmed | 8-pin SOIC – Tape and Reel | 2.5 V, 3.0 V, or 3.3 V | Industrial, –40 °C to +85 °C |
| CY25422SXI-xxx | Factory Programmed | 8-pin SOIC | 1.8 V | Industrial, –40 °C to +85 °C |
| CY25422SXI-xxxT | Factory Programmed | 8-pin SOIC – Tape and Reel | 1.8 V | Industrial, –40 °C to +85 °C |
| CY25482SXI-xxx | Factory Programmed | 8-pin SOIC | 2.5 V, 3.0 V, or 3.3 V | Industrial, –40 °C to +85 °C |
| CY25482SXI-xxxT | Factory Programmed | 8-pin SOIC – Tape and Reel | 2.5 V, 3.0 V, or 3.3 V | Industrial, –40 °C to +85 °C |

Notes

- The devices mentioned in this datasheet are available as factory-programmable parts and not as field-programmable parts, since the associated programming software is currently not available. Visit www.cypress.com to create a Technical Support case, so Cypress can provide a programming file (.jed file) that matches your requirements.
- xxx indicates Factory Programmable and are factory programmed configurations. For more details, contact your local Cypress FAE or sales representative.

Ordering Code Definitions

CY 254x2 X S X X - xxx X

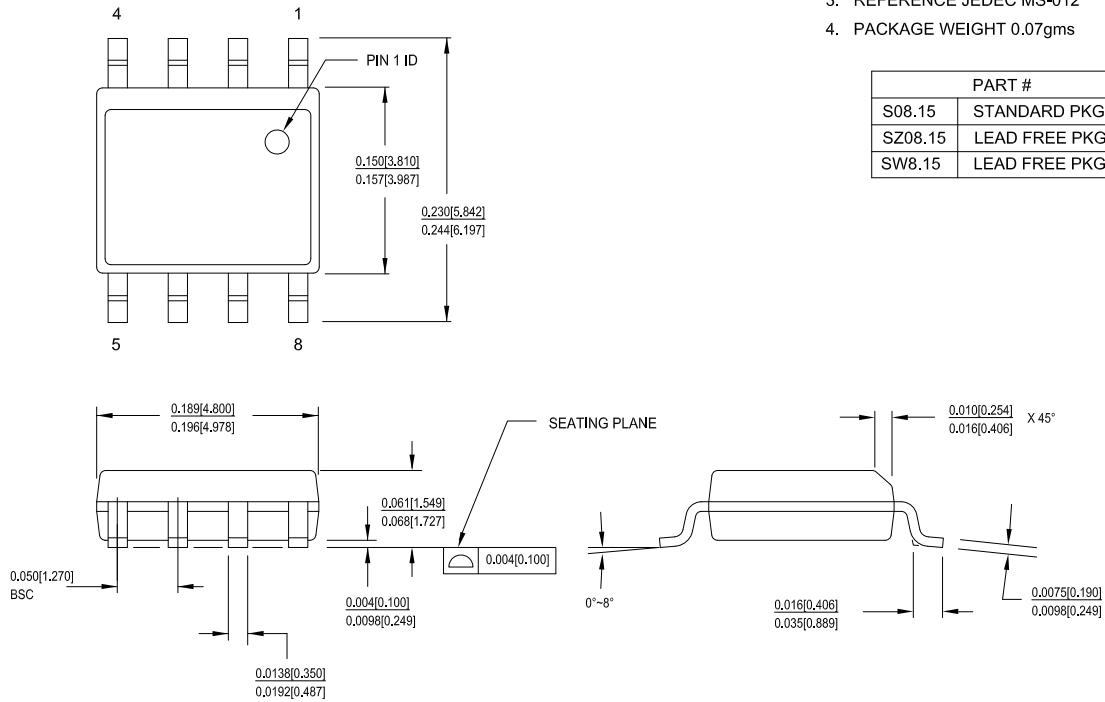


Package Drawing and Dimensions

Figure 7. 8-pin SOIC (150 Mils) S0815/SZ815/SW815 Package Outline, 51-85066

1. DIMENSIONS IN INCHES[MM] MIN. MAX.
2. PIN 1 ID IS OPTIONAL, ROUND ON SINGLE LEADFRAME RECTANGULAR ON MATRIX LEADFRAME
3. REFERENCE JEDEC MS-012
4. PACKAGE WEIGHT 0.07gms

| PART # | |
|---------|---------------|
| S08.15 | STANDARD PKG |
| SZ08.15 | LEAD FREE PKG |
| SW8.15 | LEAD FREE PKG |



51-85066 *I

Acronyms

| Acronym | Description |
|---------|---|
| DL | Drive Level |
| DNU | Do Not Use |
| DUT | Device Under Test |
| EIA | Electronic Industries Alliance |
| EMI | Electromagnetic Interference |
| ESD | Electrostatic Discharge |
| FAE | Field Application Engineer |
| FS | Frequency Select |
| JEDEC | Joint Electron Devices Engineering Council |
| LVC MOS | Low Voltage Complementary Metal Oxide Semiconductor |
| OE | Output Enable |
| OSC | Oscillator |
| PD | Power Down |
| PLL | Phase-Locked Loop |
| PPM | Parts Per Million |
| SS | Spread Spectrum |
| SSC | Spread Spectrum Clock |
| SSON | Spread Spectrum On |

Document Conventions

Units of Measure

| Symbol | Unit of Measure |
|--------|-------------------|
| °C | degrees Celsius |
| fF | femtofarad |
| MHz | megahertz |
| μs | microsecond |
| μW | microwatt |
| mA | milliampere |
| ms | millisecond |
| ns | nanosecond |
| Ω | ohm |
| pF | picofarad |
| ppm | parts per million |
| ps | picosecond |
| V | volt |
| W | watt |

Document History Page

| Document Title: CY25402/CY25422/CY25482, Two-PLL Programmable Clock Generator with Spread Spectrum | | | | |
|--|---------|-----------------|-----------------|--|
| Document Number: 001-12565 | | | | |
| Rev. | ECN No. | Orig. of Change | Submission Date | Description of Change |
| ** | 690296 | RGL | 01/17/2007 | New data sheet. |
| *A | 815788 | RGL | 03/02/2007 | Minor Change: To post on web. |
| *B | 1428744 | RGL / AESA | 08/30/2007 | Updated Document Title to read as "CY25402/CY25422/CY25482 Two PLL Programmable Clock Generator with Spread Spectrum". Changed status from Preliminary to Final. Added CY25482 part related information in all instances across the document. Updated Block Diagram . Updated Pin Definitions: Updated details in "Description" column. Updated Functional Overview : Updated description and added sub-sections. Updated Absolute Maximum Conditions : Updated details corresponding to V_{DD} and V_{IN} parameters. Updated Recommended Operating Conditions : Updated details corresponding to V_{DD} parameter. Updated DC Electrical Specifications : Updated almost entire table. Updated Ordering Information : Updated part numbers. Updated to new template. |
| *C | 2748211 | TSAI | 08/10/2009 | Post to external web. |
| *D | 2898568 | KVM | 06/02/2010 | Updated Ordering Information : Updated part numbers. Added Possible Configurations . Moved 'xxx' parts under Possible Configurations. Added Ordering Code Definitions . Updated Package Drawing and Dimensions : spec 51-85066 – Changed revision from *C to *D. Added Acronyms . Updated to new template. |
| *E | 3110175 | BASH | 12/14/2010 | Added Units of Measure . Updated to new template. |
| *F | 3235621 | CXQ | 04/20/2011 | Updated Ordering Information : Updated part numbers. |
| *G | 4219507 | CINM | 12/13/2013 | Updated Ordering Information : Updated part numbers. Updated Package Drawing and Dimensions : spec 51-85066 – Changed revision from *D to *F. Updated to new template. Completing Sunset Review. |
| *H | 4473684 | TAVA | 08/25/2014 | Updated Features : Added Note 1 and referred the same note next to "Programmable". Updated Ordering Information : No change in part numbers. Added Note 6 and referred the same note in "Type" column. |
| *I | 4586478 | AJU | 12/03/2014 | Updated Functional Description : Added "For a complete list of related documentation, click here ." at the end. |

Document History Page (continued)

| Document Title: CY25402/CY25422/CY25482, Two-PLL Programmable Clock Generator with Spread Spectrum Document Number: 001-12565 | | | | |
|--|---------|-----------------|-----------------|--|
| Rev. | ECN No. | Orig. of Change | Submission Date | Description of Change |
| *J | 5590046 | TAVA | 01/17/2017 | Updated Package Drawing and Dimensions : spec 51-85066 – Changed revision from *F to *H. Updated to new template. Completing Sunset Review. |
| *K | 5726617 | BPIN | 05/18/2017 | Updated Ordering Information : Updated part numbers. Updated to new template. |
| *L | 5778002 | PSR | 06/19/2017 | Updated Features : Added one-time programmability. Updated Pin Definitions : Updated details in “Description” column corresponding to pin number 4. Updated Pin Definitions : Updated details in “Description” column corresponding to pin number 4. |
| *M | 5952857 | XHT | 10/31/2017 | Updated DC Electrical Specifications : Updated details in “Description” and “Max” columns corresponding to V_{IL2} parameter. Added V_{IL3} parameter and its details. Updated Package Drawing and Dimensions : spec 51-85066 – Changed revision from *H to *I. Completing Sunset Review. |

Sales, Solutions, and Legal Information

Worldwide Sales and Design Support

Cypress maintains a worldwide network of offices, solution centers, manufacturer's representatives, and distributors. To find the office closest to you, visit us at [Cypress Locations](#).

Products

| | |
|---|--|
| ARM [®] Cortex [®] Microcontrollers | cypress.com/arm |
| Automotive | cypress.com/automotive |
| Clocks & Buffers | cypress.com/clocks |
| Interface | cypress.com/interface |
| Internet of Things | cypress.com/iot |
| Memory | cypress.com/memory |
| Microcontrollers | cypress.com/mcu |
| PSoC | cypress.com/psoc |
| Power Management ICs | cypress.com/pmic |
| Touch Sensing | cypress.com/touch |
| USB Controllers | cypress.com/usb |
| Wireless Connectivity | cypress.com/wireless |

PSoC[®] Solutions

[PSoC 1](#) | [PSoC 3](#) | [PSoC 4](#) | [PSoC 5LP](#) | [PSoC 6](#)

Cypress Developer Community

[Forums](#) | [WICED IOT Forums](#) | [Projects](#) | [Video](#) | [Blogs](#) | [Training](#) | [Components](#)

Technical Support

cypress.com/support

© Cypress Semiconductor Corporation, 2007–2017. This document is the property of Cypress Semiconductor Corporation and its subsidiaries, including Spansion LLC ("Cypress"). This document, including any software or firmware included or referenced in this document ("Software"), is owned by Cypress under the intellectual property laws and treaties of the United States and other countries worldwide. Cypress reserves all rights under such laws and treaties and does not, except as specifically stated in this paragraph, grant any license under its patents, copyrights, trademarks, or other intellectual property rights. If the Software is not accompanied by a license agreement and you do not otherwise have a written agreement with Cypress governing the use of the Software, then Cypress hereby grants you a personal, non-exclusive, nontransferable license (without the right to sublicense) (1) under its copyright rights in the Software (a) for Software provided in source code form, to modify and reproduce the Software solely for use with Cypress hardware products, only internally within your organization, and (b) to distribute the Software in binary code form externally to end users (either directly or indirectly through resellers and distributors), solely for use on Cypress hardware product units, and (2) under those claims of Cypress's patents that are infringed by the Software (as provided by Cypress, unmodified) to make, use, distribute, and import the Software solely for use with Cypress hardware products. Any other use, reproduction, modification, translation, or compilation of the Software is prohibited.

TO THE EXTENT PERMITTED BY APPLICABLE LAW, CYPRESS MAKES NO WARRANTY OF ANY KIND, EXPRESS OR IMPLIED, WITH REGARD TO THIS DOCUMENT OR ANY SOFTWARE OR ACCOMPANYING HARDWARE, INCLUDING, BUT NOT LIMITED TO, THE IMPLIED WARRANTIES OF MERCHANTABILITY AND FITNESS FOR A PARTICULAR PURPOSE. To the extent permitted by applicable law, Cypress reserves the right to make changes to this document without further notice. Cypress does not assume any liability arising out of the application or use of any product or circuit described in this document. Any information provided in this document, including any sample design information or programming code, is provided only for reference purposes. It is the responsibility of the user of this document to properly design, program, and test the functionality and safety of any application made of this information and any resulting product. Cypress products are not designed, intended, or authorized for use as critical components in systems designed or intended for the operation of weapons, weapons systems, nuclear installations, life-support devices or systems, other medical devices or systems (including resuscitation equipment and surgical implants), pollution control or hazardous substances management, or other uses where the failure of the device or system could cause personal injury, death, or property damage ("Unintended Uses"). A critical component is any component of a device or system whose failure to perform can be reasonably expected to cause the failure of the device or system, or to affect its safety or effectiveness. Cypress is not liable, in whole or in part, and you shall and hereby do release Cypress from any claim, damage, or other liability arising from or related to all Unintended Uses of Cypress products. You shall indemnify and hold Cypress harmless from and against all claims, costs, damages, and other liabilities, including claims for personal injury or death, arising from or related to any Unintended Uses of Cypress products.

Cypress, the Cypress logo, Spansion, the Spansion logo, and combinations thereof, WICED, PSoC, CapSense, EZ-USB, F-RAM, and Traveo are trademarks or registered trademarks of Cypress in the United States and other countries. For a more complete list of Cypress trademarks, visit cypress.com. Other names and brands may be claimed as property of their respective owners.

Looking for pricing, stock, or lifecycle information?

Click below to explore more details on WIN SOURCE:

 [View CY25402SXC-008T on WIN SOURCE](#)

 [Infineon Technologies](#) Information

Optimize Your Supply Chain with WIN SOURCE Solutions

-  Global Sourcing Solution
-  Obsolete Management
-  Cost Control Management
-  Shortage Management
-  Alternative Solution
-  Excess Inventory Management