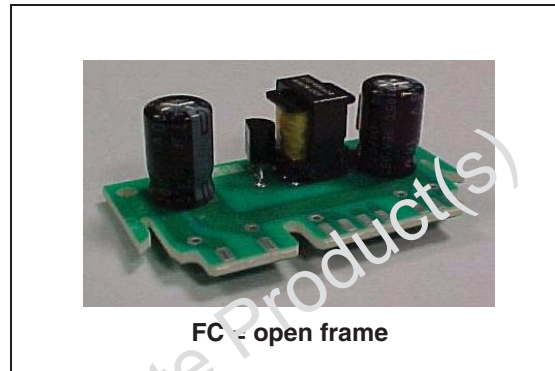


DC-DC step down power supply

Features

- Module DC-DC step down single output
- Wide range input voltage: 100÷370 V_{dc}
- Output power: 4.0 W typ.
- Output voltage precision 5%
- Output short-circuit protection
- No heatsink required
- Not - latching overload and short-circuit protection
- MTBF > 1.000.000 hours (T_A = 25 °C)
- Encapsulated or open frame packages
- Comb insertion
- RoHS compliant
- Module weight: 9 grams typ.



Description

ST's power modules are highly integrated, high efficiency switch mode converters.

The SPDC400-4W non isolated series delivers 4 W at -12 V from DC input that is the rectified universal AC

It is an immediate drop-in solution requiring no additional external circuitry.

The power supply modules are suited for auxiliary power requirements in appliance, industrial and communication applications.

The open frame version is intended to offer a low-cost version of ST's easy to use, compact size power modules.

Table 1. Device summary

Order code	Package	Connections
SPDC400FC12M0.35	Open frame	Comb

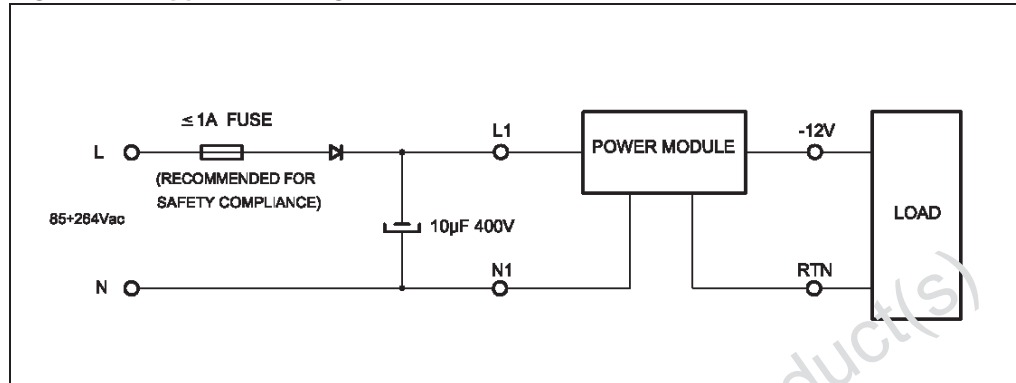
Contents

1	Application diagram	3
2	Electrical characteristics	4
3	PCB footprint	5
4	Mechanical dimensions	6
5	Connection diagram	7
6	Ordering information scheme	8
7	Revision history	9

Obsolete Product(s) - Obsolete Product(s)

1 Application diagram

Figure 1. Application diagram



Note: N1 pin is electrically connected to RTN, on the power module printed circuit board.

2 Electrical characteristics

$T_A = 25\text{ }^\circ\text{C}$, unless otherwise specified.

Table 2. Electrical characteristics

Symbol	Parameter	Test condition	Min.	Typ.	Max.	Unit
V_i	Input voltage		100		370	V_{dc}
V_{o1}	Output voltage	$V_i = 100$ to $370\text{ }V_{dc}$	-12.6	-12	-11.4	V
I_{o2}	Output current	$V_i = 100$ to $370\text{ }V_{dc}$	0.35			A
V_{or}	Output ripple	$V_i = 100$ to $370\text{ }V_{dc}$			5%	n Vpp
I_{osc}	Output short-circuit current	$V_i = 100$ to $370\text{ }V_{dc}$	Hiccup mode			A
η	Efficiency	$V_i = 100$ to $370\text{ }V_{dc}$ $I_o = 0.35\text{ A}$		50		%
$P_{stand\ by}$	Power losses in no load condition	$V_i = 320\text{ }V_{dc}$ $I_o = 0\text{ mA}$			0.3	W
I_{ir}	Inrush input current	$V_i = 320\text{ }V_{dc}$		30		A
T_{op}	Operating ambient temperature		-10		85	$^\circ\text{C}$
T_{stg}	Storage temperature range		-20		90	$^\circ\text{C}$

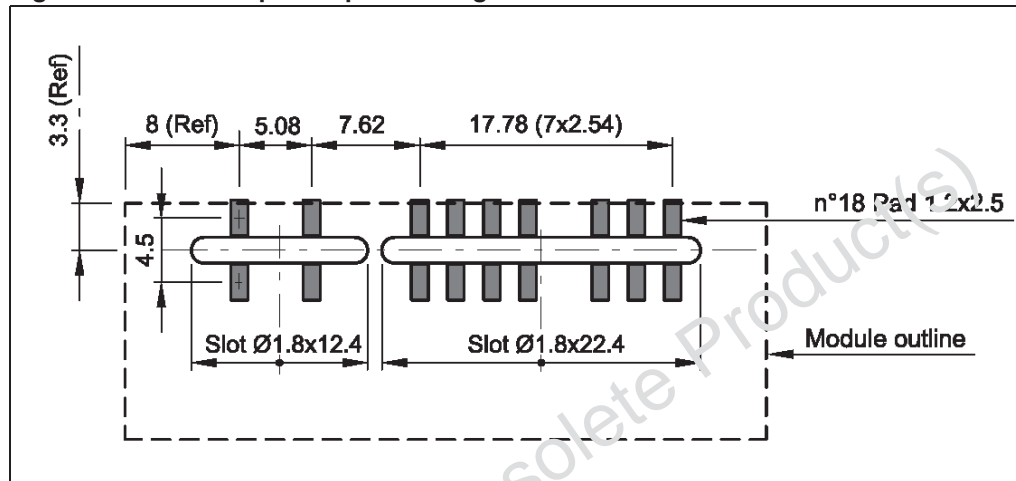
- Agency approval: The safety and EMI compliance has to be assured by the user.

3 PCB footprint

Use [Figure 2](#) as suggested PCB footprint.

PCB footprint for SPDC400FC12M0.35 (dimensions in mm).

Figure 2. PCB footprint top side trough view



4 Mechanical dimensions

In order to meet environmental requirements, ST offers these devices in different grades of ECOPACK[®] packages, depending on their level of environmental compliance. ECOPACK[®] specifications, grade definitions and product status are available at: www.st.com. ECOPACK[®] is an ST trademark.

Figure 3. SPDC400FC mechanical data side view (dimensions in mm)

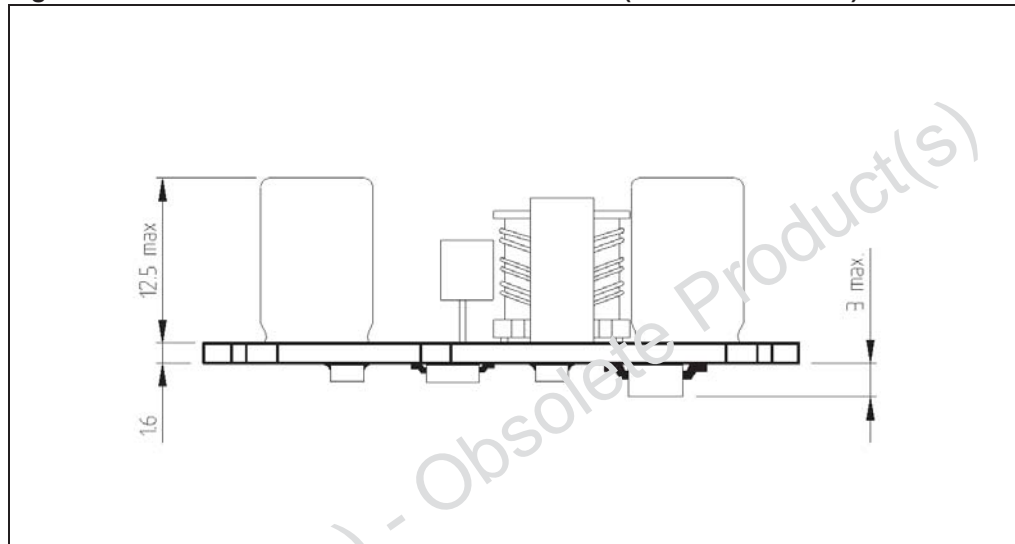
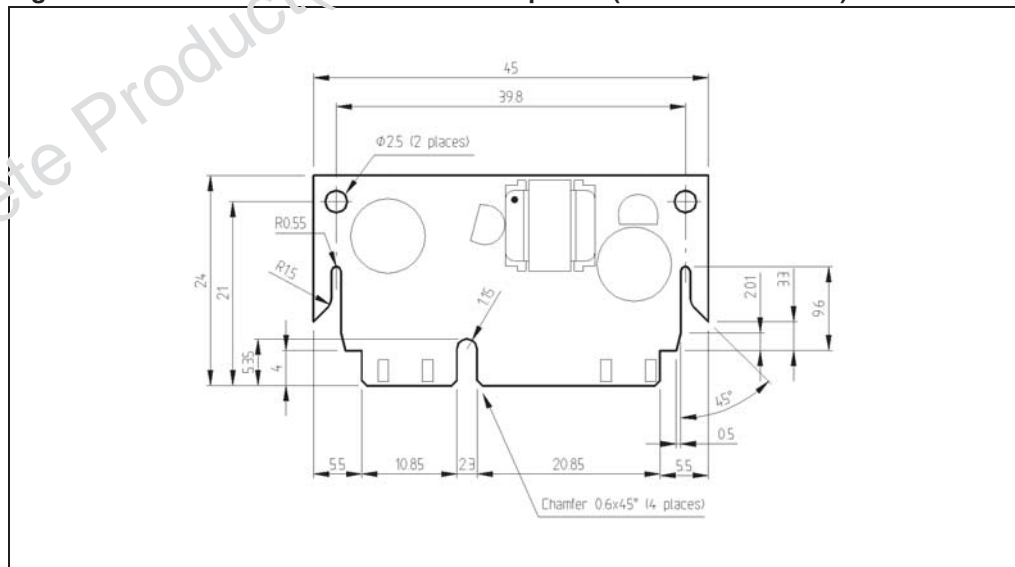


Figure 4. SPDC400FC mechanical data top view (dimensions in mm)

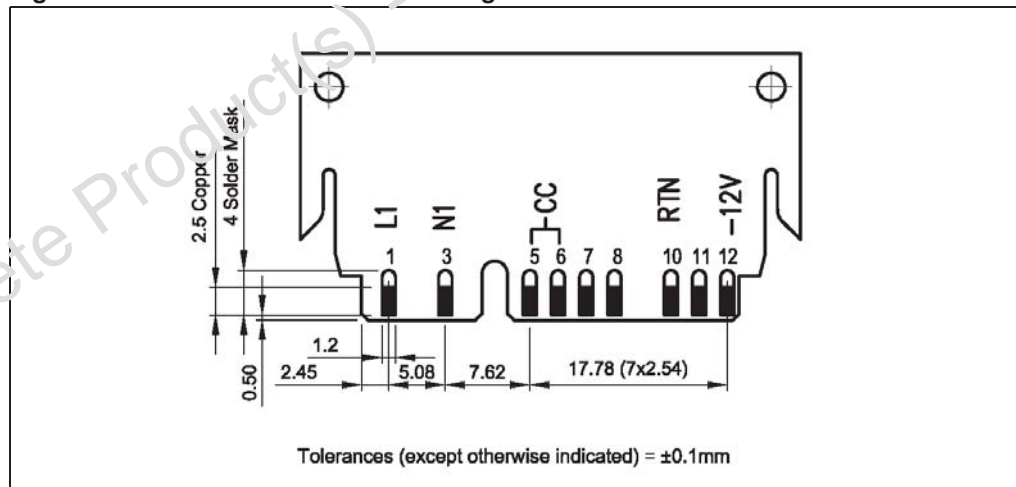


5 Connection diagram

Table 3. Pin description

Pin	Function	Description
1	L1	DC input voltage
2		Not present
3	N1	DC input voltage
4		Polarization key
5		Connected to pin 6
6		Connected to pin 5
7		Not connected
8		Not connected
9		Not present
10	RTN	Output voltage return
11		Not connected
12	- 12 V	Output voltage

Figure 5. SPDC400FC connection diagram



6 Ordering information scheme

Table 4. Ordering information scheme

	SPDC	400	F	C	12	Z	0.35
DC-DC converter							
Max VDC input							
F: Open Frame	Package						
C: Comb	Connection						
Typ VDC output							
P: Plus	Output voltage polarity						
M: Minus							
Typ IDC output							

7 Revision history

Table 5. Document revision history

Date	Revision	Changes
11-Oct-2007	1	First release
19-Jan-2009	2	Updated cover page. Deleted SPDC400BT12M0.35 and SPDC400FT12M0.35
10-Apr-2009	3	Updated <i>Table 3 on page 7</i>
25-May-2009	4	Updated <i>Figure 1 on page 3, Figure 5 on page 7</i> Added <i>Section 3 on page 5</i>

Obsolete Product(s) - Obsolete Product(s)

Please Read Carefully:

Information in this document is provided solely in connection with ST products. STMicroelectronics NV and its subsidiaries ("ST") reserve the right to make changes, corrections, modifications or improvements, to this document, and the products and services described herein at any time, without notice.

All ST products are sold pursuant to ST's terms and conditions of sale.

Purchasers are solely responsible for the choice, selection and use of the ST products and services described herein, and ST assumes no liability whatsoever relating to the choice, selection or use of the ST products and services described herein.

No license, express or implied, by estoppel or otherwise, to any intellectual property rights is granted under this document. If any part of this document refers to any third party products or services it shall not be deemed a license grant by ST for the use of such third party products or services, or any intellectual property contained therein or considered as a warranty covering the use in any manner whatsoever of such third party products or services or any intellectual property contained therein.

UNLESS OTHERWISE SET FORTH IN ST'S TERMS AND CONDITIONS OF SALE ST DISCLAIMS ANY EXPRESS OR IMPLIED WARRANTY WITH RESPECT TO THE USE AND/OR SALE OF ST PRODUCTS INCLUDING WITHOUT LIMITATION IMPLIED WARRANTIES OF MERCHANTABILITY, FITNESS FOR A PARTICULAR PURPOSE (AND THEIR EQUIVALENTS UNDER THE LAWS OF ANY JURISDICTION), OR INFRINGEMENT OF ANY PATENT, COPYRIGHT OR OTHER INTELLECTUAL PROPERTY RIGHT.

UNLESS EXPRESSLY APPROVED IN WRITING BY AN AUTHORIZED ST REPRESENTATIVE, ST PRODUCTS ARE NOT RECOMMENDED, AUTHORIZED OR WARRANTED FOR USE IN MILITARY, AIR CRAFT, SPACE, LIFE SAVING, OR LIFE SUSTAINING APPLICATIONS, NOR IN PRODUCTS OR SYSTEMS WHERE FAILURE OR MALFUNCTION MAY RESULT IN PERSONAL INJURY, DEATH, OR SEVERE PROPERTY OR ENVIRONMENTAL DAMAGE. ST PRODUCTS WHICH ARE NOT SPECIFIED AS "AUTOMOTIVE GRADE" MAY ONLY BE USED IN AUTOMOTIVE APPLICATIONS AT USER'S OWN RISK.

Resale of ST products with provisions different from the statements and/or technical features set forth in this document shall immediately void any warranty granted by ST for the ST product or service described herein and shall not create or extend in any manner whatsoever, any liability of ST.

ST and the ST logo are trademarks or registered trademarks of ST in various countries.

Information in this document supersedes and replaces all information previously supplied.

The ST logo is a registered trademark of STMicroelectronics. All other names are the property of their respective owners.

© 2009 STMicroelectronics - All rights reserved

STMicroelectronics group of companies

Australia - Belgium - Brazil - Canada - China - Czech Republic - Finland - France - Germany - Hong Kong - India - Israel - Italy - Japan - Malaysia - Malta - Morocco - Philippines - Singapore - Spain - Sweden - Switzerland - United Kingdom - United States of America

www.st.com

Looking for pricing, stock, or lifecycle information?

Click below to explore more details on WIN SOURCE:

 [View SPDC400FC12M0.35 on WIN SOURCE](#)

 [STMicroelectronics](#) Information

Optimize Your Supply Chain with WIN SOURCE Solutions

-  Global Sourcing Solution
-  Obsolete Management
-  Cost Control Management
-  Shortage Management
-  Alternative Solution
-  Excess Inventory Management