



THE DATASHEET OF SL-LA142A002US



LED Driver

Outdoor 100W Driver SL-LA142A002US



Constant Current LED Driver

Features & Benefits

- Output Current Range: 2800mA Fixed
- Output Voltage Range: 17 ~ 34Vdc
- Output Power Range: under 100 W (meet the UL Class 2, 96W)
- Dimming Control: 0-10 V
- Input Voltage: 120 ~ 277 Vac, 50/60 Hz
- Safety: UL / cUL(UL 8750, UL Class 2)
- EMI: FCC Part 15 Class B
- Protections: Short Circuit, Over Voltage Protection
- t_a Range: -40 ~ +70 °C
- Expected lifetime: 50,000 hours at $t_c < 75$ °C
- Environmental Compliance: RoHS
- Long lasting & high reliability
- Metal housing



Applications

- Outdoor lighting

Table of Contents

1.	Characteristics	-----	3
2.	Typical Characteristics Graphs	-----	5
3.	Protection	-----	8
4.	Dimming Specification	-----	8
5.	Reliability& standard	-----	9
6.	Outline Drawing & Dimension	-----	10
7.	Label Structure	-----	11
8.	Packing Structure	-----	11
9.	Precautions in Handling & Use	-----	12

1. Characteristics

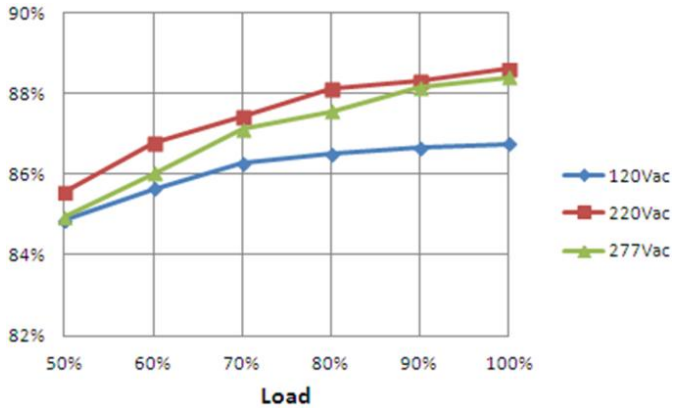
Article	Symbol	Specification			Unit	Note
		Min.	Typ.	Max.		
INPUT SPECIFICATIONS						
Nominal Voltage	V _{in}	120		277	Vac	
Nominal Frequency	F _{in}		50 / 60		Hz	
Input Current	At 110 Vac	I _{in}		1.2	A	At full load
	At 277 Vac	I _{in}		0.55	A	At full load
Total Harmonic Distortion	THD			20	%	At 120-277 Vac
Power Factor	PF	0.9			-	1) At 120-277 Vac
Efficiency	η	85	86		%	2) 110Vac/ 60 Hz, 100% Load
		86	88			
In-rush Current				30	A _{pk}	@ 277Vac input, 25°C Cold start.
OUTPUT SPECIFICATIONS						
Voltage Range	V _o	17		34	Vdc	
Max. Voltage				36	Vdc	Open circuit, No-load protection No Hot plug protection
Current Range	I _o	2660	2800	2940	mA	0-10 Fixed current
Nominal Power	P _o			100	W	Meet UL Class 2, 96W
Turn-on Delay Time	T _d			1	s	

- 1) PF, THD can meet the electrical performance from 80% of MA X power.
- 2) Measured the unit is thermally stabilized after half an hour, Ta 25°C.

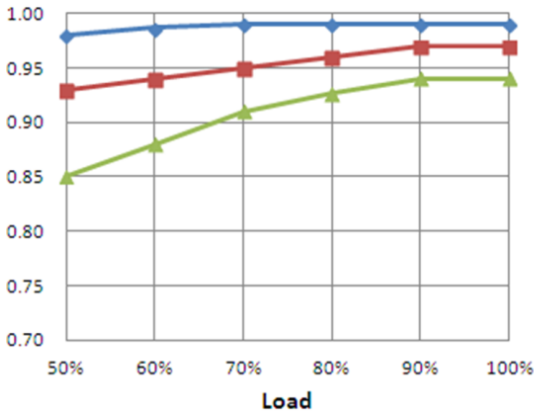
Article	Symbol	Specification			Unit	Note
		Min.	Typ.	Max.		
DIMMING SPECIFICATIONS						
Vdc		0		10	V	See Dimming Specification section
Dimming voltage		1		8.5	V	
ENVIRONMENTAL SPECIFICATIONS						
Operating Temperature	t_a	-40		70	°C	
Operating Humidity		20		95	%	Not condensing
Storage Temperature	t_s	-40		85	°C	
Storage Humidity		10		95	%	Not condensing
Case Temperature	t_c			90	°C	
Surge Transient Protection	L / N			±4	kV	IEC 61000-4-5
	LN / GND			±6	kV	
IP Rating			IP67		-	Suitable for indoor environment
Expected Lifetime (e-cap)		50,000			h	At $t_c = 75^\circ\text{C}$, full load, 120-277 Vac
MTBF			300,000			
Dimensions	L x W x H		187 x 67.5 x 40		mm	
Net Weight			1.05		kg	

2. Typical Characteristics Graphs

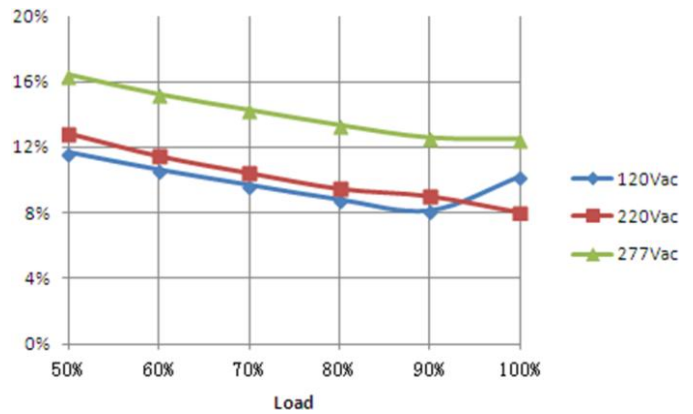
a) Efficiency vs. Load



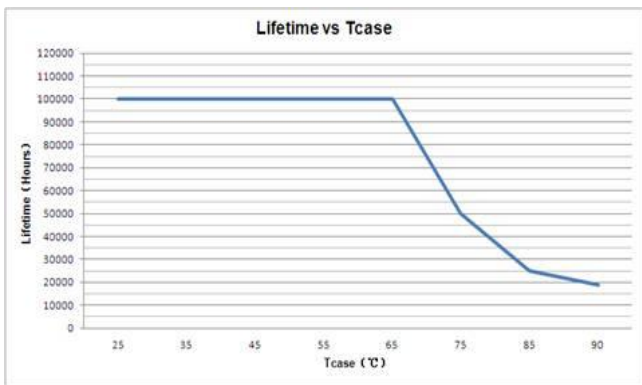
b) Power Factor vs. Load



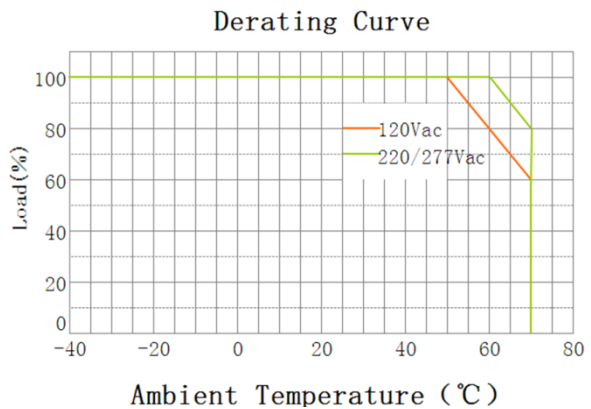
c) Total Harmonic Distortion vs. Load



d) Lifetime vs. Tc



e) Ta de-rating according to the load condition



3. Protection

a) Output Short Circuit Protection

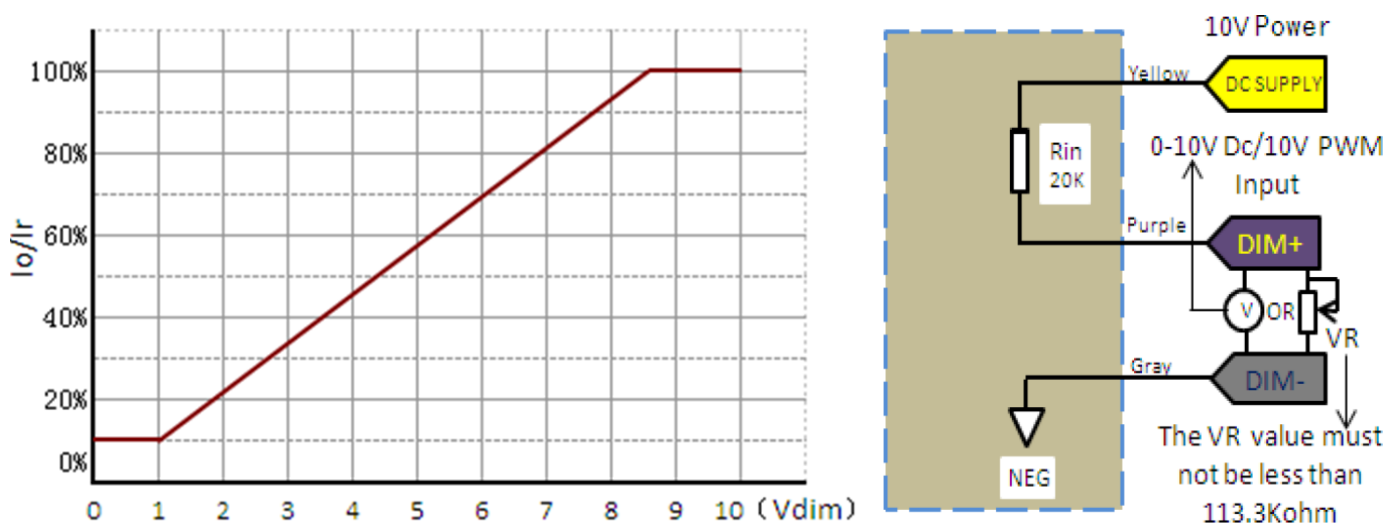
The unit is protected when output is short thus avoiding safety hazard, shock hazard and damage to the unit. After the short circuit fault condition is removed, the unit will enter the auto-recovery mode.

b) Output Over Voltage Protection

When no load condition occurs, the unit will clamp output voltage to the OVP Voltage avoiding damage to the unit ($V_{out} < 36V$). After the load is connected, the unit will enter the auto-recovery mode.

4. Dimming Specification

The unit has Analog Dimming (AD) function, using 0-10 Vdc. The typical dimming curve is shown below.



ARTICLE	SYMBOL	UNIT	MIN	TYP.	MAX	REMARKS
Dimming	Range	Vdc	1	-	8.5	
	Dim OFF		-		-	No Off mode
	Dim. MIN	Vdc	1	-		
	Dim. MAX	Vdc	8.5		10	

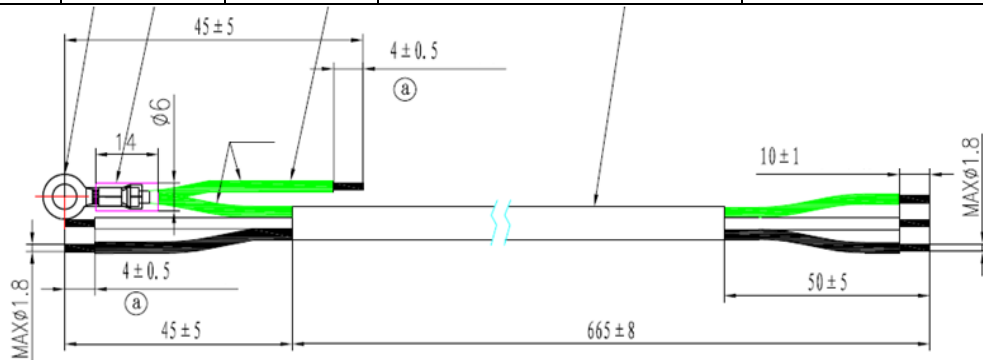
5. Reliability& Standards

Test Items and Conditions

Test Item	Specification	Condition
Leakage Current	< 0.7 mA	$V_{in}=300V$ $F_{in}=60Hz$
Earth Continuity	< 0.5 Ω	According to IEC/EN 61347
Hi-Pot	Input – Output	3750 Vac, 60 s, cut-off current 10 mA
	Input – F.G	1857 Vac, 60 s, cut-off current 10 mA
	Output – F.G	1500 Vac, 60 s, cut-off current 10 mA
Insulation Resistance	Input – Output	500 Vdc, 60 s, insulation resistance 10 M Ω
Surge	L / N	± 4 kV
	L-N / F.G GND	± 6 kV
ESD	Contact	± 8 kV
	Air	± 15 kV

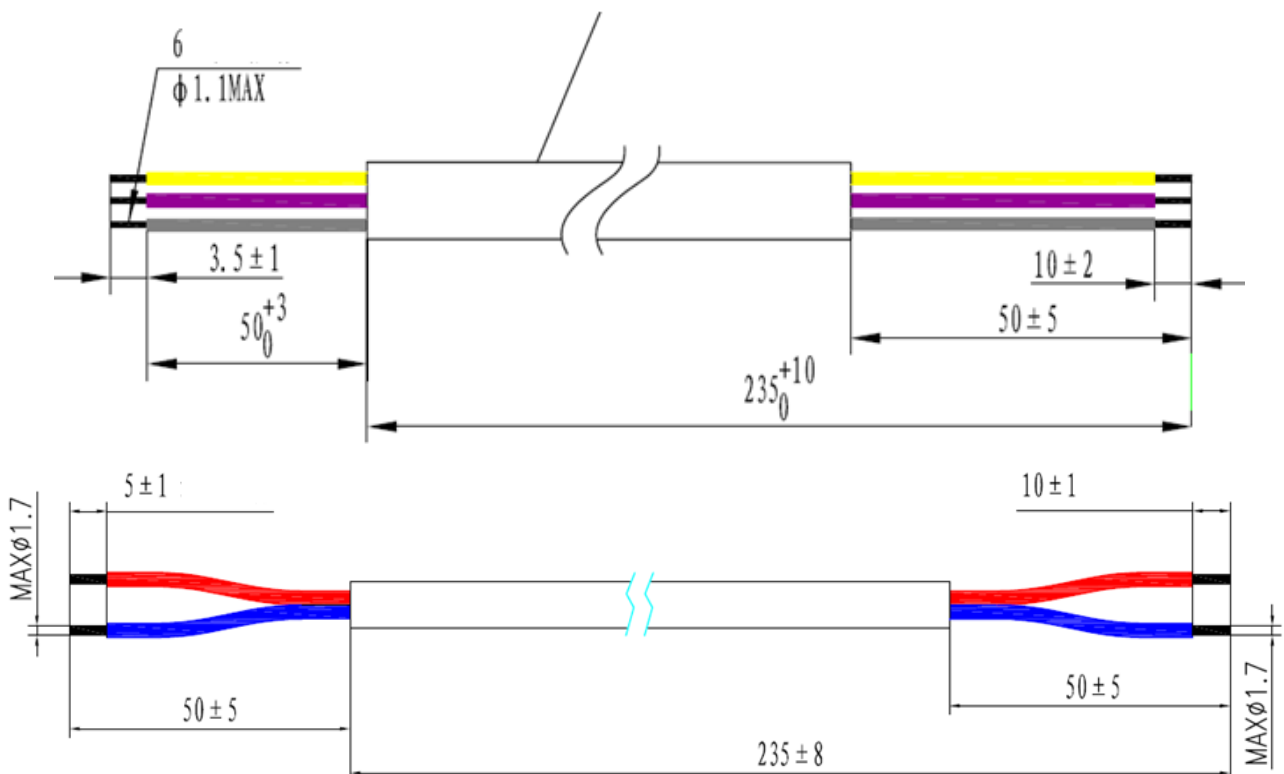
Input harness

WIRE	SYMBOL	COLOR	DESCRIPTION	Cable
1	L	Black	Live	SJTW PVC,18AWG
2	N	White	Neutral	
3	FG	Green	GND	

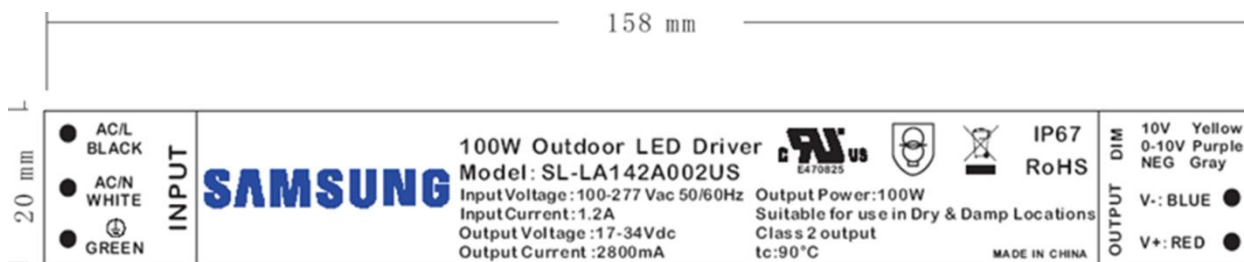


Output harness

WIRE	SYMBOL	COLOR	DESCRIPTION	Cable
1	10V	Yellow	Auxiliary 10V	UL 2517,22AWG
2	Dim+	Purple	External Dimming Input Port(0~10V)	
3	Dim-	Grey	External Dimming Input Port(Ground)	
4	V+	Red	Positive(Anode)LED output +	SJTW PVC,18AWG
5	V-	Blue	Negative(Cathode)LED output -	

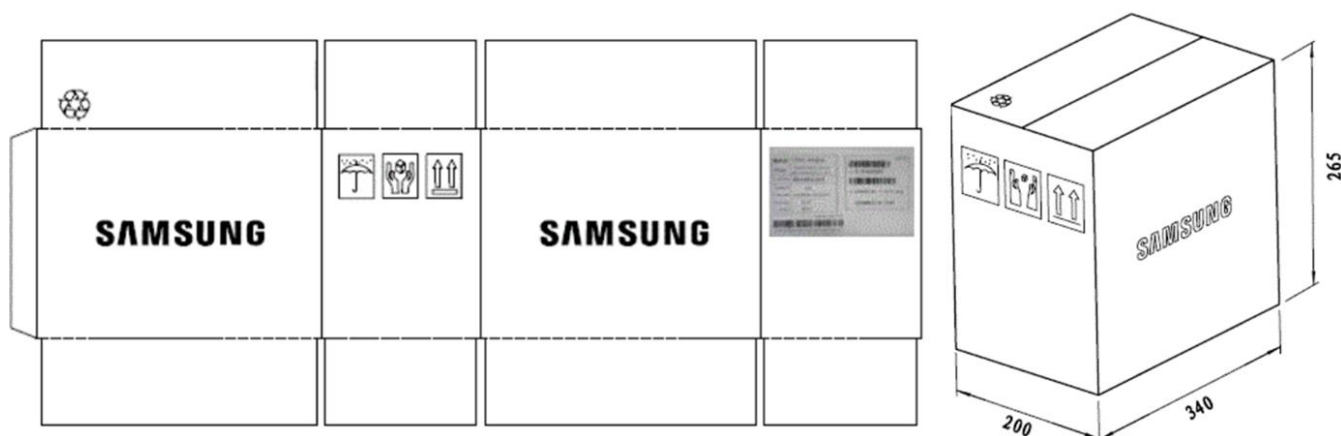


7. Label Structure



8. Packing Structure

Packing material	Max. quantity (pcs)	Dimension (mm)		
		Length	Width	Height
Outer Box	10	340	200	265
Pallet	540 (54 outer boxes)	1,219	1,016	965



9. Precautions in Handling & Use

- To prevent the LED Driver from any defect, please handle and store it with care
 - Do not drop or give shock
 - Do not store in very humid location or at extreme temperature
 - Do not open or disassemble the product
- Static electricity or surge voltage may damage the components inside LED Driver, as such please observe proper anti-electrostatic working process
 - People handling the Driver should be well grounded (e.g. using ESD wrist band) and wear anti-static working clothes and gloves
 - All related devices and instruments in the production line should be well grounded (e.g. working table, measuring equipment, assembly jigs)
- Observe the correct polarity of output terminal
- Avoid input voltage exceeds the maximum rating, which will cause damage to the circuit and result in malfunction

Legal and additional information.

[About Samsung Electronics Co., Ltd.](#)

Samsung Electronics Co., Ltd. inspires the world and shapes the future with transformative ideas and technologies that redefine the worlds of TVs, smartphones, wearable devices, tablets, cameras, digital appliances, printers, medical equipment, network systems, and semiconductor and LED solutions. We are also leading in the Internet of Things space with the open platform SmartThings, our broad range of smart devices, and through proactive cross-industry collaboration. We employ 319,000 people across 84 countries with annual sales of US \$196 billion. To discover more, and for the latest news, feature articles and press material, please visit the Samsung Newsroom at news.samsung.com

Copyright © 2016 Samsung Electronics Co., Ltd. All rights reserved.

Samsung is a registered trademark of Samsung Electronics Co., Ltd.

Specifications and designs are subject to change without notice. Non-metric weights and measurements are approximate. All data were deemed correct at time of creation. Samsung is not liable for errors or omissions. All brand, product, service names and logos are trademarks and/or registered trademarks of their respective owners and are hereby recognized and acknowledged.



Samsung Electronics Co., Ltd.
95, Samsung 2-ro
Giheung-gu
Yongin-si, Gyeonggi-do, 446-711
KOREA

www.samsungled.com



Looking for pricing, stock, or lifecycle information?

Click below to explore more details on WIN SOURCE:

-  [View SL-LA142A002US on WIN SOURCE](#)
-  [Samsung Information](#)

Optimize Your Supply Chain with WIN SOURCE Solutions

-  Global Sourcing Solution
-  Obsolete Management
-  Cost Control Management
-  Shortage Management
-  Alternative Solution
-  Excess Inventory Management