



**THE DATASHEET OF  
SI4634-A10-GM**



# Si463x-A10

## Data Short

### Single-Chip, AM/FM/HD/DAB/DAB+ Radio Receiver Family

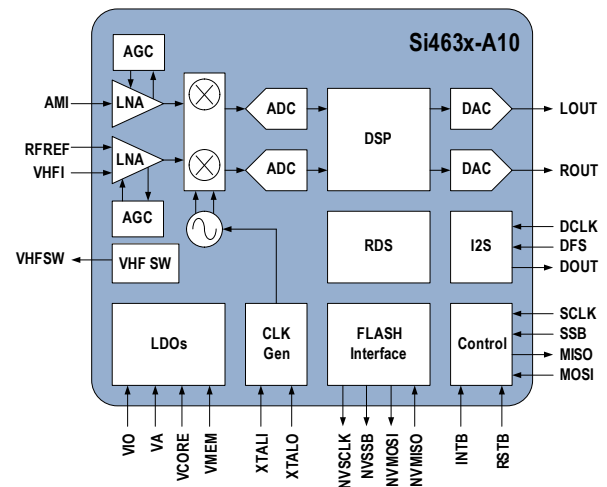
The Si463x single-chip digital receiver is a family of 100% CMOS digital radio broadcast receiver ICs from Silicon Labs. The Si463x family offers a complete and cost-effective digital radio solution integrating the RF tuner, baseband, and audio processing on a single die. The high level of integration provides significant customer benefits compared to traditional digital radio solutions, including a reduction in system implementation complexity, validation and testing, and improved reliability and manufacturability. The Si463x is compatible with the iBiquity Digital and NRSC-5 standards for In-Band-On-Channel (IBOC) digital radio broadcasting, integrating digital channel demodulation and decoding functions, along with audio decoding and IBOC analog-digital blend. The Si463x supports IBOC multicasting, as well as the full range of HD Radio data services, such as PSD, Artist Experience, iTunes<sup>®</sup> Tagging, Bookmark and real-time Traffic, with the appropriate external decoders.

The Si463x also offers VHF Band III (168-240 MHz) reception capability and is fully compliant with ETSI EN 300 401 and ETSI TS 102 563. The Si463x delivers DAB and DAB+ via an integrated source decoder that supports both MPEG Audio Layer 2 (DAB) and HE-AAC V2 (DAB+). The Si463x supports data services such as Dynamic Labels, Intellitext, Electronic Program Guide (EPG), Slideshow, and Journaline<sup>®</sup> with the appropriate external decoders.

For more information, visit the [Si463x Digital Radio Receivers web page](#).

#### Features

- Worldwide FM band support (76-108 MHz)
- Worldwide AM band support (520-1710 kHz)
- LW band support (144-288 kHz)
- SW band support (2.3-30 MHz)
- Advanced RDS/RBDS decoder
- FM HD Radio™ support with on-chip IBOC blend
- DAB, DAB+ Band III support (168-240 MHz)
- Integrated OFDM channel demodulator
- Integrated de-interleaving SRAM
- I<sup>2</sup>S digital audio out with ASRC
- Integrated 97 dB stereo audio DAC
- Concurrent I<sup>2</sup>S /L-R stereo audio out
- Full range of signal quality metrics
- Fully-integrated VCO /PLL /synthesizer
- SPI and I2C host control interfaces
- QFN 48-pin, 7x7x0.85 mm



#### Applications

- Aftermarket car audio systems

**Table 1.1. Selected Electrical Specifications**

Parameter	Symbol	Test Conditions	Min	Typ	Max	Units
Ambient Temperature	$T_A$		-40	25	85	°C
Analog Supply Voltage	$V_A$		1.71	1.8	2.0	V
Interface Supply Voltage	$V_{IO}$		1.62	1.8	3.6	V
Core Digital Supply Voltage	$V_{CORE}$		1.62	1.8	2.0	V
Memory Supply Voltage	$V_{MEM}$		1.62	1.8	2.0	V
<b>Analog FM</b>						
Input Frequency	$F_{rf}$		76	—	108	MHz
Seek/Tune Time			—	—	60	ms/ch
<b>FM HD</b>						
Input Frequency	$F_{rf}$		87.5	—	108	MHz
Seek/Tune Time			—	—	160	ms/ch
<b>Analog AM</b>						
Input Frequency	$F_{rf}$		520	—	1710	kHz
<b>AM HD</b>						
Input Frequency	$F_{rf}$		520	—	1710	kHz
<b>DAB/DAB+</b>						
Input Frequency	$F_{rf}$		168	—	240	MHz
Ensemble Acquisition Time		For a valid channel, after power-up RF level = -47 dBm	—	710	—	ms

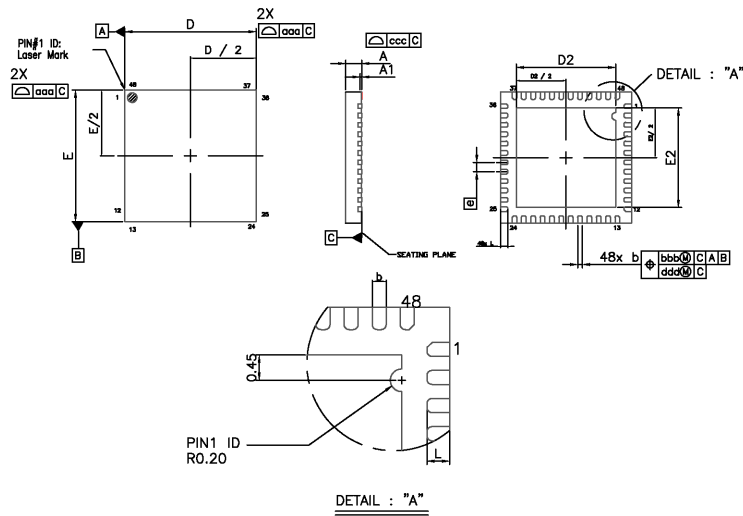


Figure 1.1. Si463x-A10-GM

Dimension	Min	Nom	Max
A	0.80	0.85	0.90
A1	0.00	0.02	0.05
b	0.18	0.25	0.30
D	7.00 BSC		
D2	5.20	5.30	5.40
e	0.50 BSC		
E	7.00 BSC		
E2	5.20	5.30	5.40
L	0.30	0.40	0.50
aaa	0.15		
bbb	0.10		
ccc	0.10		
ddd	0.05		

**Note:**

1. All dimensions are shown in millimeters (mm) unless otherwise noted.
2. Dimensioning and tolerancing per ASME Y14.5M-1994.
3. This drawing conforms to JEDEC Outline MO-220, Variation VKKD-4.
4. Recommended card reflow profile is per the JEDEC/IPC J-STD-020 specification for Small Body Components.

Copyright © 2021 Skyworks Solutions, Inc. All Rights Reserved.

Information in this document is provided in connection with Skyworks Solutions, Inc. ("Skyworks") products or services. These materials, including the information contained herein, are provided by Skyworks as a service to its customers and may be used for informational purposes only by the customer. Skyworks assumes no responsibility for errors or omissions in these materials or the information contained herein. Skyworks may change its documentation, products, services, specifications or product descriptions at any time, without notice. Skyworks makes no commitment to update the materials or information and shall have no responsibility whatsoever for conflicts, incompatibilities, or other difficulties arising from any future changes.

No license, whether express, implied, by estoppel or otherwise, is granted to any intellectual property rights by this document. Skyworks assumes no liability for any materials, products or information provided hereunder, including the sale, distribution, reproduction or use of Skyworks products, information or materials, except as may be provided in Skyworks' Terms and Conditions of Sale.

THE MATERIALS, PRODUCTS AND INFORMATION ARE PROVIDED "AS IS" WITHOUT WARRANTY OF ANY KIND, WHETHER EXPRESS, IMPLIED, STATUTORY, OR OTHERWISE, INCLUDING FITNESS FOR A PARTICULAR PURPOSE OR USE, MERCHANTABILITY, PERFORMANCE, QUALITY OR NON-INFRINGEMENT OF ANY INTELLECTUAL PROPERTY RIGHT; ALL SUCH WARRANTIES ARE HEREBY EXPRESSLY DISCLAIMED. SKYWORKS DOES NOT WARRANT THE ACCURACY OR COMPLETENESS OF THE INFORMATION, TEXT, GRAPHICS OR OTHER ITEMS CONTAINED WITHIN THESE MATERIALS. SKYWORKS SHALL NOT BE LIABLE FOR ANY DAMAGES, INCLUDING BUT NOT LIMITED TO ANY SPECIAL, INDIRECT, INCIDENTAL, STATUTORY, OR CONSEQUENTIAL DAMAGES, INCLUDING WITHOUT LIMITATION, LOST REVENUES OR LOST PROFITS THAT MAY RESULT FROM THE USE OF THE MATERIALS OR INFORMATION, WHETHER OR NOT THE RECIPIENT OF MATERIALS HAS BEEN ADVISED OF THE POSSIBILITY OF SUCH DAMAGE.



Skyworks products are not intended for use in medical, lifesaving or life-sustaining applications, or other equipment in which the failure of the Skyworks products could lead to personal injury, death, physical or environmental damage. Skyworks customers using or selling Skyworks products for use in such applications do so at their own risk and agree to fully indemnify Skyworks for any damages resulting from such improper use or sale.

Customers are responsible for their products and applications using Skyworks products, which may deviate from published specifications as a result of design defects, errors, or operation of products outside of published parameters or design specifications. Customers should include design and operating safeguards to minimize these and other risks. Skyworks assumes no liability for applications assistance, customer product design, or damage to any equipment resulting from the use of Skyworks products outside of Skyworks' published specifications or parameters.

Skyworks, the Skyworks symbol, Sky5®, SkyOne®, SkyBlue™, Skyworks Green™, Clockbuilder®, DSPLL®, ISOModem®, ProSLIC®, and SiPHY® are trademarks or registered trademarks of Skyworks Solutions, Inc. or its subsidiaries in the United States and other countries. Third-party brands and names are for identification purposes only and are the property of their respective owners. Additional information, including relevant terms and conditions, posted at [www.skyworksinc.com](http://www.skyworksinc.com), are incorporated by reference.

## Looking for pricing, stock, or lifecycle information?

Click below to explore more details on WIN SOURCE:

-  [View SI4634-A10-GM on WIN SOURCE](#)
-  [Skyworks Solutions Inc. Information](#)

## Optimize Your Supply Chain with WIN SOURCE Solutions

-  Global Sourcing Solution
-  Obsolete Management
-  Cost Control Management
-  Shortage Management
-  Alternative Solution
-  Excess Inventory Management