



**THE DATASHEET OF
SI4613-A10-GM**



Description

The Si4613 HD Radio™ radio processor provides significant advances in size, power consumption, and performance to enable HD Radio reception in automotive infotainment systems and car radios as well as in high-end audio/video receivers and pro-audio systems. It is designed to work with the high-performance automotive Si476x and Si479x families of AM/FM radio tuners.

The Si4613 HD Radio processor supports the iBiquity and NRSC-5 standards for FM In-Band-On-Channel (IBOC) and AM IBOC digital radio broadcasting. The processors support Station Information Service (SIS), Service Information Guide (SIG), Program Service Data (PSD), IBOC multicasting, and HD Radio digital audio.

The Si4613 implements a version of iBiquity's Cayenne HD Radio core, optimized for low power, cost, and footprint. It features an extremely efficient Viterbi decoder, thereby eliminating the need for an external SRAM memory module. The Si4613 HD Radio core utilizes iBiquity's proprietary HDC codec to decode the HD radio signal and directs the HD radio audio output to other system ICs through an I2S digital audio interface. The Si4613 enables many additional features, such as real-time traffic, iTunes Tagging and Artist Experience by providing the Advanced Application Services (AAS) payload to the external application processor.

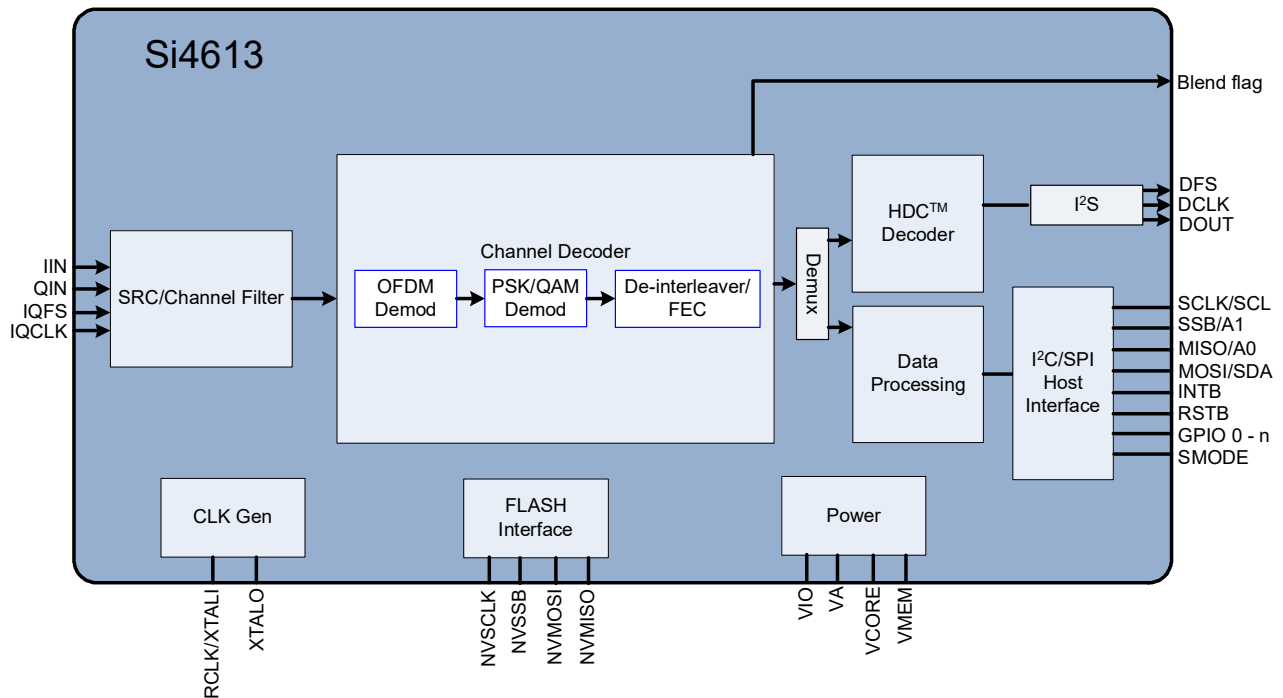
The Si4613 HD Radio core was co-developed by Skyworks and iBiquity and is the most advanced power-efficient HD Radio processing core available today.

Features

- AM/FM HD Radio channel decoder (Si4613)
- Complete on-chip HDC audio source decoder
- FM HD1, HD2, HD3 multicast support
- Station Information Service (SIS) support
- Program Service Data (PSD)
- Advanced Application Services (AAS) Payload for data applications
- No external RAM required for channel decoding
- Flash memory interface for application program load
- On-chip crystal oscillator
- Reference clock input
- SPI, I²C control interfaces
- QFN 48-pin, 7x7x0.85 mm
- Pb-free/RoHS compliant
- AEC-Q100 qualified

Applications

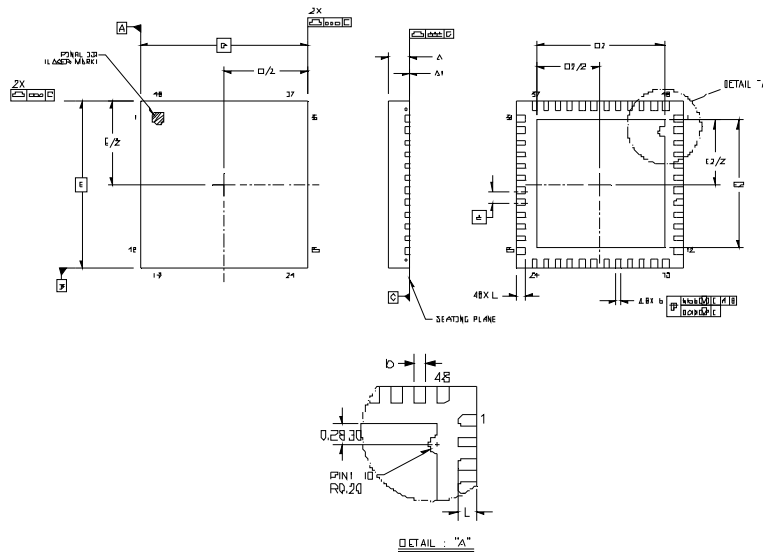
- Aftermarket car radio systems
- OEM automotive infotainment systems
- OEM automotive PND docking systems



Selected Electrical Specifications

Parameter	Symbol	Test Condition	Min	Typ	Max	Unit
Analog Supply Voltage	V_A		1.71	1.8	2.0	V
Interface Supply Voltage	V_{IO}		1.62	1.8	3.6	V
Core Digital Supply Voltage	V_{CORE}		1.71	1.8	2.0	V
Memory Supply Voltage	V_{MEM}		1.71	1.8	2.0	V
Reference Clock						
Reference Clock Frequency	RCLK		—	37.209	—	MHz
Reference Clock Accuracy			-100	—	100	ppm
Reference Clock Duty Cycle			45	—	55	%
Crystal Oscillator						
Crystal Oscillator Frequency			—	37.209	—	MHz
Crystal Frequency Tolerance		37.209 MHz	-100	—	100	ppm
Load Capacitance		37.209 MHz	—	—	10	pF
ESR		37.209 MHz	—	—	50	Ω
Ambient Temperature	T_A		-40	25	85	$^{\circ}\text{C}$

Si4613-A10



Dimension	Min	Nom	Max
A	0.80	0.85	0.90
A1	0.00	0.02	0.05
b	0.18	0.25	0.30
D		7.00 BSC	
D2	5.20	5.30	5.40
e		0.50 BSC	
E		7.00 BSC	
E2	5.20	5.30	5.40
L	0.30	0.40	0.50
aaa		0.15	
bbb		0.10	
ddd		0.05	
eee		0.08	

Notes:

1. All dimensions are shown in millimeters (mm) unless otherwise noted.
2. Dimensioning and Tolerancing per ASME Y14.5M-1994.
3. This drawing conforms to the JEDEC Solid State Outline MO-220, Variation VKKD-4.
4. Recommended card reflow profile is per the JEDEC/IPC J-STD-020 specification for Small Body Components.



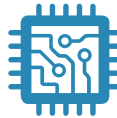
SKYWORKS®

**Connecting Everyone
and Everything,
All the Time**



Portfolio

www.skyworksinc.com



Quality

www.skyworksinc.com/quality



Support & Resources

www.skyworksinc.com/support

Copyright © 2021 Skyworks Solutions, Inc. All Rights Reserved.

Information in this document is provided in connection with Skyworks Solutions, Inc. ("Skyworks") products or services. These materials, including the information contained herein, are provided by Skyworks as a service to its customers and may be used for informational purposes only by the customer. Skyworks assumes no responsibility for errors or omissions in these materials or the information contained herein. Skyworks may change its documentation, products, services, specifications or product descriptions at any time, without notice. Skyworks makes no commitment to update the materials or information and shall have no responsibility whatsoever for conflicts, incompatibilities, or other difficulties arising from any future changes.

No license, whether express, implied, by estoppel or otherwise, is granted to any intellectual property rights by this document. Skyworks assumes no liability for any materials, products or information provided hereunder, including the sale, distribution, reproduction or use of Skyworks products, information or materials, except as may be provided in Skyworks' Terms and Conditions of Sale.

THE MATERIALS, PRODUCTS AND INFORMATION ARE PROVIDED "AS IS" WITHOUT WARRANTY OF ANY KIND, WHETHER EXPRESS, IMPLIED, STATUTORY, OR OTHERWISE, INCLUDING FITNESS FOR A PARTICULAR PURPOSE OR USE, MERCHANTABILITY, PERFORMANCE, QUALITY OR NON-INFRINGEMENT OF ANY INTELLECTUAL PROPERTY RIGHT; ALL SUCH WARRANTIES ARE HEREBY EXPRESSLY DISCLAIMED. SKYWORKS DOES NOT WARRANT THE ACCURACY OR COMPLETENESS OF THE INFORMATION, TEXT, GRAPHICS OR OTHER ITEMS CONTAINED WITHIN THESE MATERIALS. SKYWORKS SHALL NOT BE LIABLE FOR ANY DAMAGES, INCLUDING BUT NOT LIMITED TO ANY SPECIAL, INDIRECT, INCIDENTAL, STATUTORY, OR CONSEQUENTIAL DAMAGES, INCLUDING WITHOUT LIMITATION, LOST REVENUES OR LOST PROFITS THAT MAY RESULT FROM THE USE OF THE MATERIALS OR INFORMATION, WHETHER OR NOT THE RECIPIENT OF MATERIALS HAS BEEN ADVISED OF THE POSSIBILITY OF SUCH DAMAGE.

Skyworks products are not intended for use in medical, lifesaving or life-sustaining applications, or other equipment in which the failure of the Skyworks products could lead to personal injury, death, physical or environmental damage. Skyworks customers using or selling Skyworks products for use in such applications do so at their own risk and agree to fully indemnify Skyworks for any damages resulting from such improper use or sale.

Customers are responsible for their products and applications using Skyworks products, which may deviate from published specifications as a result of design defects, errors, or operation of products outside of published parameters or design specifications. Customers should include design and operating safeguards to minimize these and other risks. Skyworks assumes no liability for applications assistance, customer product design, or damage to any equipment resulting from the use of Skyworks products outside of Skyworks' published specifications or parameters.



Skyworks, the Skyworks symbol, Sky5®, SkyOne®, SkyBlue™, Skyworks Green™, Clockbuilder®, DSPLL®, ISOModem®, ProSLIC®, and SiPHY® are trademarks or registered trademarks of Skyworks Solutions, Inc. or its subsidiaries in the United States and other countries. Third-party brands and names are for identification purposes only and are the property of their respective owners. Additional information, including relevant terms and conditions, posted at www.skyworksinc.com, are incorporated by reference.

Skyworks Solutions, Inc. | Nasdaq: SWKS | sales@skyworksinc.com | www.skyworksinc.com

USA: 781-376-3000 | Asia: 886-2-2735 0399 | Europe: 33 (0)1 43548540 | [in](https://www.linkedin.com/company/skyworks) [f](https://www.facebook.com/skyworks) [t](https://twitter.com/skyworks) [y](https://www.youtube.com/skyworks)

Looking for pricing, stock, or lifecycle information?

Click below to explore more details on WIN SOURCE:

-  [View SI4613-A10-GM on WIN SOURCE](#)
-  [Skyworks Solutions Inc. Information](#)

Optimize Your Supply Chain with WIN SOURCE Solutions

-  Global Sourcing Solution
-  Obsolete Management
-  Cost Control Management
-  Shortage Management
-  Alternative Solution
-  Excess Inventory Management